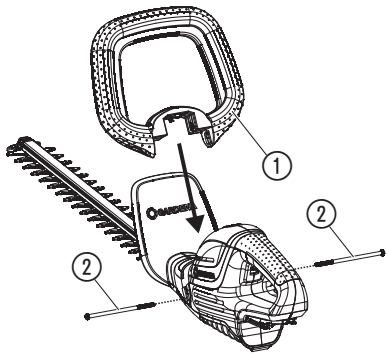


ComfortCut 50/18V P4A Art. 14730
ComfortCut 60/18V P4A Art. 14731

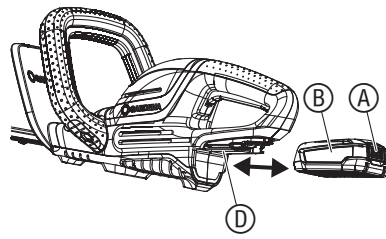
EN Operator's manual
Battery Hedge Trimmer

<p>DE Produkthaftung Wir weisen ausdrücklich darauf hin, dass wir in Übereinstimmung mit dem Produkthaftungsgesetz nicht für Schäden haften, die durch unsere Produkte entstehen, wenn diese unsachgemäß und nicht durch einen von uns autorisierten Servicepartner repariert wurden oder wenn keine Original GARDENA Teile oder von uns zugelassene Teile verwendet wurden.</p>
<p>EN Product liability In accordance with the German Product Liability Act, we hereby expressly declare that we accept no liability for damage incurred from our products where said products have not been properly repaired by a GARDENA-approved service partner or where original GARDENA parts or parts authorised by GARDENA were not used.</p>
<p>FR Responsabilité Conformément à la loi relative à la responsabilité du fait des produits défectueux, nous déclarons expressément par la présente que nous déclinons toute responsabilité pour les dommages résultant de nos produits, si lesdits produits n'ont pas été correctement réparés par un partenaire d'entretien agréé GARDENA ou si des pièces d'origine GARDENA ou des pièces agréées GARDENA n'ont pas été utilisées.</p>
<p>NL Productaansprakelijkheid Conform de Duitse wet inzake productaansprakelijkheid verklaren wij hierbij uitdrukkelijk dat wij geen aansprakelijkheid aanvaarden voor schade ontstaan uit onze producten waarbij deze producten niet zijn gerepareerd door een GARDENA-erkende servicepartner of waarbij geen originele GARDENA-onderdelen of onderdelen die door GARDENA zijn goedgekeurd zijn gebruikt.</p>
<p>SV Produktansvar I enlighet med tyska produktansvarslagar förklarar vi härmed uttryckligen att vi inte åtar oss något ansvar för skador som orsakas av våra produkter där produkterna inte har genomgått korrekt reparation från en GARDENA-godkänd servicepartner eller där originaldelar från GARDENA eller delar godkända av GARDENA inte använts.</p>
<p>DA Produktansvar I overensstemmelse med den tyske produktansvarslav erklærer vi hermed udtrykkeligt, at vi ikke påtager os noget ansvar for skader på vores produkter, hvis de pågældende produkter ikke er blevet repareret korrekt af en GARDENA-godkendt servicepartner, eller hvor der ikke er brugt originale GARDENA-reservedele eller godkendte reservedele fra GARDENA.</p>
<p>FI Tuotevastuu Saksan tuotevastuulain mukaisesti emme ole vastuussa laitteiden vaurioista, jos korjauksia ei ole tehnyt GARDENAn hyväksymä huoltoliike tai jos niiden syynä on muuten kuin alkuperäisten GARDENA-varaosien tai GARDENAn hyväksymien varaosien käyttö.</p>
<p>IT Responsabilità del prodotto In conformità con la Legge tedesca sulla responsabilità del prodotto, con la presente dichiariamo espressamente che decliniamo qualsiasi responsabilità per danni causati dai nostri prodotti qualora non siano stati correttamente riparati presso un partner di assistenza approvato GARDENA o laddove non siano stati utilizzati ricambi originali o autorizzati GARDENA.</p>
<p>ES Responsabilidad sobre el producto De acuerdo con la Ley de responsabilidad sobre productos alemana, por la presente declaramos expresamente que no aceptamos ningún tipo de responsabilidad por los daños ocasionados por nuestros productos si dichos productos no han sido reparados por un socio de mantenimiento aprobado por GARDENA o si no se han utilizado piezas originales GARDENA o piezas autorizadas por GARDENA.</p>
<p>PT Responsabilidade pelo produto De acordo com a lei alemã de responsabilidade pelo produto, declaramos que não nos responsabilizamos por danos causados pelos nossos produtos, caso os tais produtos não tenham sido devidamente reparados por um parceiro de assistência GARDENA aprovado ou se não tiverem sido utilizadas peças GARDENA originais ou peças autorizadas pela GARDENA.</p>
<p>PL Odpowiedzialność za produkt Zgodnie z niemiecką ustawą o odpowiedzialności za produkt, niniejszym wyraźnie oświadczamy, że nie ponosimy żadnej odpowiedzialności za szkody poniesione na skutek użytkowania naszych produktów, w przypadku gdy naprawa tych produktów nie była odpowiednio przeprowadzana przez zatwierdzonego przez firmę GARDENA partnera serwisowego lub nie stosowano oryginalnych części GARDENA albo części autoryzowanych przez tę firmę.</p>
<p>HU Termékszavatosság A németországi termékszavatossági törvénnyel összhangban ezennel nyomatékosan kijelentjük, hogy nem vállalunk felelősséget a termékeinkben keletkezett olyan károkért, amelyek valamely GARDENA által jóváhagyott szervizpartner által nem megfelelően végzett javításból adódtak, vagy amely során nem eredeti GARDENA alkatrészeket vagy a GARDENA által jóváhagyott alkatrészeket használtak fel.</p>
<p>CS Odpovědnost za výrobek V souladu s německým zákonem o odpovědnosti za výrobek tímto výslovně prohlašujeme, že nepřijímáme žádnou odpovědnost za poškození vzniklá na našich výrobcích, kdy zmíněné výrobky nebyly řádně opraveny schváleným servisním partnerem GARDENA nebo kdy nebyly použity originální náhradní díly GARDENA nebo náhradní díly autorizované společností GARDENA.</p>
<p>SK Zodpovednosť za produkt V súlade s nemeckými právnymi predpismi upravujúcimi zodpovednosť za výrobok týmto výslovne prehlasujeme, že nenesieme žiadnu zodpovednosť za škody spôsobené našimi výrobkami, v prípade ktorých neboli náležité opravy vykonané servisným partnerom schváleným spoločnosťou GARDENA alebo neboli použité diely spoločnosti GARDENA alebo diely schválené spoločnosťou GARDENA.</p>
<p>EL Ευθύνη προϊόντος Σύμφωνα με τον γερμανικό νόμο περί Ευθύνης για τα Προϊόντα, με το παρόν δηλώνουμε ρητώς ότι δεν αποδεχόμαστε καμία ευθύνη για τυχόν ζημιές που προκύπτουν από τα προϊόντα μας εάν αυτά δεν έχουν επισκευαστεί σωστά από κάποιον εγκεκριμένο συνεργάτη επισκευών της GARDENA ή εάν δεν έχουν χρησιμοποιηθεί αυθεντικά εξαρτήματα GARDENA ή εξαρτήματα εγκεκριμένα από την GARDENA.</p>
<p>SL Odgovornost proizvajalca V skladu z nemškimi zakoni o odgovornosti za izdelke, izrecno izjavljajo, da ne sprejemamo nobene odgovornosti za škodo, ki jo povzročijo naši izdelki, če teh niso ustrezno popravili GARDENINI odobreni servisni partnerji ali pri tem niso bili uporabljeni originalni GARDENINI nadomestni deli ali GARDENINIMI homologiranimi nadomestnimi deli.</p>
<p>HR Pouzdanost proizvoda Sukladno njemačkom zakonu o pouzdanosti proizvoda, ovime izričito izjavljujemo kako ne prihvaćamo nikakvu odgovornost za oštećenja na našim proizvodima nastala uslijed neispravnog popravka od strane servisnog partnera kojeg odobrava GARDENA ili uslijed nekorištenja originalnih GARDENA dijelova ili dijelova koje odobrava GARDENA.</p>
<p>RO Răspunderea pentru produs În conformitate cu Legea germană privind răspunderea pentru produs, declarăm în mod expres prin prezentul document că nu acceptăm nicio răspundere pentru defecțiunile suferite de produsele noastre atunci când acestea nu au fost reparate în mod corect de un atelier de service partener, aprobat de GARDENA, sau când nu au fost utilizate piese GARDENA originale sau piese autorizate de GARDENA.</p>
<p>BG Отговорност за вреди, причинени от стоки Съгласно германския Закон за отговорността за вреди, причинени от стоки, с настоящото изрично декларираме, че не носим отговорност за щети, причинени от нашите продукти, ако те не са били правилно ремонтирани от одобрен от GARDENA сервиз или ако не са използвани оригинални части на GARDENA или части, одобрени от GARDENA.</p>
<p>ET Tootevastutus Vastavalt Saksamaa tootevastutusseadusele deklareerime käesolevaga selgesõnaliselt, et me ei kanna mingisugust vastutust meie toodetest tingitud kahjude eest, kui need tooted ei ole korrektselt parandatud GARDENA heakskiidetud hoolduspartneri poolt või kui parandamisel ei ole kasutatud GARDENA originaalosi või GARDENA volitatud osi.</p>
<p>LT Gaminio patikimumas Mes aiškiai pareiškiamo, kad, atsižvelgiant į Vokietijos gaminių patikimumo įstatymą, neprisiimame atsakomybės dėl bet kokios žalos, patirtos dėl mūsų gaminių, jeigu jie buvo netinkamai taisomi arba jų dalys buvo pakeistos neoriginaliomis GARDENA dalimis ar nepatvirtintomis dalimis, arba jeigu remonto darbai buvo atliekami ne GARDENA techninės priežiūros centro specialistų.</p>
<p>LV Atbildība par produkcijas kvalitāti Saskaņā ar Vācijas likumu par atbildību par produkcijas kvalitāti ar šo mēs paziņojam, ka neuzņemamies atbildību par bojājumiem, kas radušies, lietojot mūsu izstrādājumus, kuru remontu nav veicis uzņēmuma GARDENA apstiprināts apkopes partneris vai kuru remontam netika izmantotas oriģinālās GARDENA detaļas vai detaļas, kuru lietošanu apstiprinājis uzņēmums GARDENA.</p>

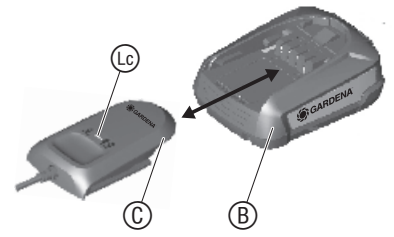
A1



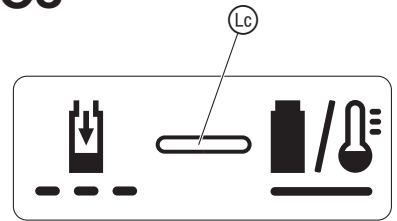
O1



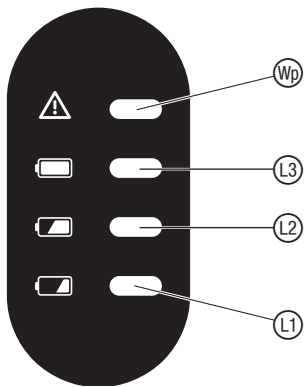
O2



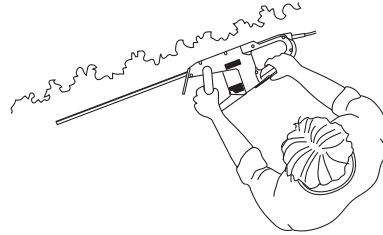
O3



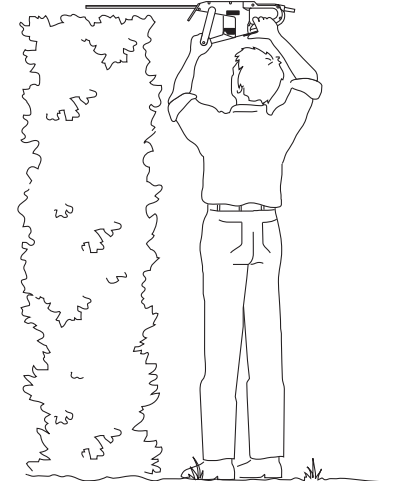
O4



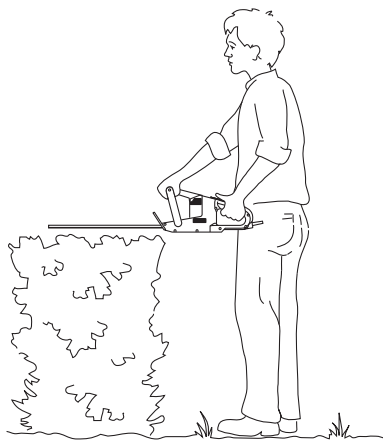
O5



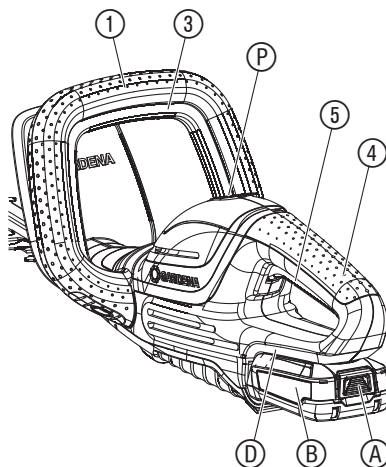
O6



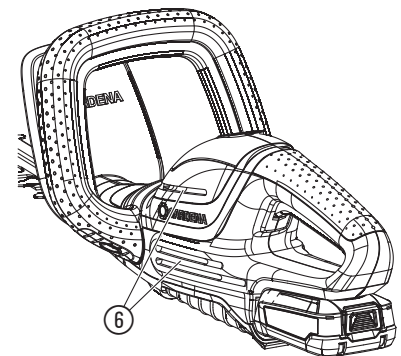
O7



O8



M1



EN Battery Hedge Trimmer

1. SAFETY	9
2. ASSEMBLY	11
3. OPERATION	11
4. MAINTENANCE	11
5. STORAGE	12
6. TROUBLESHOOTING	12
7. TECHNICAL DATA	12
8. ACCESSORIES	13
9. SERVICE/WARRANTY	13

Translation of the original instructions.



This product is not intended for use by persons (including children) with reduced physical, sensory or mental capabilities, or lack of experience and knowledge, unless they have been given supervision or instruction concerning use of the product by a person responsible for their safety. Children should be supervised to ensure that they do not play with the product. The use of this product by young people under the age of 16 is not recommended.

Intended use:

The **GARDENA Hedge Trimmer** is intended to cut hedges, shrubs and grass coverings in private domestic gardens and allotments.

The product is not intended for long term use.



DANGER! Risk of injury!

→ Do not use the product to cut lawns/lawn edges, to chop up material or to make compost.

1. SAFETY

IMPORTANT!

Read the operator's manual carefully before use and keep for future reference.

Symbols on the product:



Read operator's manual.



Danger – Keep hands away from blade.



Do not expose to rain.



For the charger:
Remove plug from the mains immediately if the cable is damaged or cut.



Wear eye and ear protection.



Remove the Battery before cleaning or maintenance.

General safety warnings

General machine safety warnings



WARNING!

Read all safety warnings, instructions, illustrations and specifications provided with this machine. Failure to follow the warnings and instructions may result in electric shock, fire and/or serious injury.

Save all warnings and instructions for future reference.

The term "machine" in the warnings refers to your mains operated (corded) machine or battery operated (cordless) machine.

1) Work area safety

- Keep work area clean and well lit.** Cluttered or dark areas invite accidents.
- Do not operate machines in explosive atmospheres, such as in the presence of flammable liquids, gases or dust.** Machines create sparks which may ignite the dust or fumes.
- Keep children and bystanders away while operating a machine.** Distractions can cause you to lose control.

2) Electrical safety

- Machine plugs must match the outlet. Never modify the plug in any way. Do not use any adaptor plugs with earthed (grounded) machines.** Unmodified plugs and matching outlets will reduce risk of electric shock.
- Avoid body contact with earthed or grounded surfaces, such as pipes, radiators, ranges and refrigerators.** There is an increased risk of electric shock if your body is earthed or grounded.
- Do not expose machines to rain or wet conditions.** Water entering a machine will increase the risk of electric shock.
- Do not abuse the cord. Never use the cord for carrying, pulling or unplugging the machine. Keep cord away from heat, oil, sharp edges or moving parts.** Damaged or entangled cords increase the risk of electric shock.
- When operating a machine outdoors, use an extension cord suitable for outdoor use.** Use of a cord suitable for outdoor use reduces the risk of electric shock.
- If operating a machine in a damp location is unavoidable, use a residual current device (RCD) protected supply.** Use of an RCD reduces the risk of electric shock.

3) Personal safety

- Stay alert, watch what you are doing and use common sense when operating a machine. Do not use a machine while you are tired or under the influence of drugs, alcohol or medication.** A moment of inattention while operating machines may result in serious personal injury.
- Use personal protective equipment. Always wear eye protection.** Protective equipment such as dust mask, non-skid safety shoes, hard hat, or hearing protection used for appropriate conditions will reduce personal injuries.
- Prevent unintentional starting. Ensure the switch is in the OFF-position before connecting to power source and/or battery pack, picking up or carrying the machine.** Carrying machines with your finger on the switch or energising machines that have the switch on invites accidents.
- Remove any adjusting key or wrench before turning the machine on.** A wrench or a key left attached to a rotating part of the machines may result in personal injury.
- Do not overreach. Keep proper footing and balance at all times.** This enables better control of the machine in unexpected situations.
- Dress properly. Do not wear loose clothing or jewellery. Keep your hair, clothing and gloves away from moving parts.** Loose clothes, jewellery or long hair can be caught in moving parts.
- If devices are provided for the connection of dust extraction and collection facilities, ensure these are connected and properly used.** Use of dust collection can reduce dust-related hazards.
- Do not let familiarity gained from frequent use of machines allow you to become complacent and ignore machine safety principles.** A careless action can cause severe injury within a fraction of a second.

4) Machine use and care

- Do not force the machine. Use the correct machine for your application.** The correct machine will do the job better and safer at the rate for which it was designed.
- Do not use the machine if the switch does not turn it on and off.** Any machine that cannot be controlled with the switch is dangerous and must be repaired.
- Disconnect the plug from the power source and/or the battery pack from the machine before making any adjustments, changing accessories, or storing machines.** Such preventive safety measures reduce the risk of starting the machine accidentally.
- Store idle machines out of the reach of children and do not allow persons unfamiliar with the machine or these instructions to operate the machine.** Machines are dangerous in the hands of untrained users.
- Maintain machines. Check for misalignment or binding of moving parts, breakage of parts and any other condition that may affect the machine's operation. If damaged, have the machine repaired before use.** Many accidents are caused by poorly maintained machines.
- Keep cutting tools sharp and clean.** Properly maintained cutting tools with sharp cutting edges are less likely to bind and are easier to control.
- Use the machine, accessories and tool bits etc. in accordance with these instructions, taking into account the working conditions and the work to be performed.** Use of the machine for operations different from those intended could result in a hazardous situation.

- h) Keep handles and grasping surfaces dry, clean and free from oil and grease.** *Slippery handles and grasping surfaces do not allow for safe handling and control of the machine in unexpected situations.*

5) Battery tool use and care

- a) Recharge only with the charger specified by the manufacturer.**
A charger that is suitable for one type of battery pack may create a risk of fire when used with another battery pack.
- b) Use machines only with specifically designated battery packs.**
Use of any other battery packs may create a risk of injury and fire.
- c) When battery pack is not in use, keep it away from other metal objects, like paper clips, coins, keys, nails, screws or other small metal objects, that can make a connection from one terminal to another.** *Shorting the battery terminals together may cause burns or a fire.*
- d) Under abusive conditions, liquid may be ejected from the battery; avoid contact. If contact accidentally occurs, flush with water. If liquid contacts eyes, additionally seek medical help.**
Liquid ejected from the battery may cause irritation or burns.
- e) Do not use a battery pack or tool that is damaged or modified.**
Damaged or modified batteries may exhibit unpredictable behavior resulting in fire, explosion or risk of injury.
- f) Do not expose a battery pack or tool to fire or excessive temperature.**
Exposure to fire or temperature above 130 °C may cause explosion.
- g) Follow all charging instructions and do not charge the battery pack or tool outside the temperature range specified in the instructions.**
Charging improperly or at temperatures outside the specified range may damage the battery and increase the risk of fire.

6) Service

- a) Have your machine serviced by a qualified repair person using only identical replacement parts.**
This will ensure that the safety of the machine is maintained.
- b) Never service damaged battery packs.** *Service of battery packs should only be performed by the manufacturer or authorised service providers.*

Hedge trimmer safety warnings

- a) Keep all parts of the body away from the blade. Do not remove cut material or hold material to be cut when blades are moving.**
Blades continue to move after the switch is turned off. A moment of inattention while operating the hedge trimmer may result in serious personal injury.
- b) Carry the hedge trimmer by the handle with the blade stopped and taking care not to operate any power switch.**
Proper carrying of the hedge trimmer will decrease the risk of inadvertent starting and resultant personal injury from the blades.
- c) When transporting or storing the hedge trimmer, always fit the blade cover.** *Proper handling of the hedge trimmer will decrease the risk of personal injury from the blades.*
- d) When clearing jammed material or servicing the unit, make sure all power switches are off and the battery pack is removed or disconnected.**
Unexpected actuation of the hedge trimmer while clearing jammed material or servicing may result in serious personal injury.
- e) When clearing jammed material or servicing the unit, make sure all power switches are off and the lock-off is in the locked position.**
Unexpected actuation of the hedge trimmer while clearing jammed material or servicing may result in serious personal injury.
- f) Hold the hedge trimmer by insulated gripping surfaces only, because the blade may contact hidden wiring.**
Blades contacting a "live" wire may make exposed metal parts of the hedge trimmer "live" and could give the operator an electric shock.
- g) Keep all power cords and cables away from cutting area.**
Power cords or cables may be hidden in hedges or bushes and can be accidentally cut by the blade.
- h) Do not use the hedge trimmer in bad weather conditions, especially when there is a risk of lightning.**
This decreases the risk of being struck by lightning.

Search hedges and bushes for hidden objects (e.g. wire fences and hidden wires). The use of a residual current device (RCD) with a trip current of 30 mA or less is recommended.

Hold the hedge trimmer with both hands on both handles.

The hedge trimmer is intended for use when the user is standing on the ground and not on a ladder or other unstable surface.

Additional safety warnings

Battery safety



Read all the safety and general instructions.

Failure to observe the safety and general instructions may result in electric shock, fire and/or serious injury.

Store these instructions in a safe place. Only use the charger if you can fully evaluate all functions and carry them out without restrictions, or if you have received corresponding instructions.

- **Supervise children during use, cleaning and maintenance.**
This will ensure that children do not play with the charger.
- **Charge only lithium-ion batteries of the POWER FOR ALL system type PBA 18V with a capacity of 1.5 Ah or more (5 battery cells or more).**

The battery voltage must match the battery charging voltage of the charger. Do not charge any nonrechargeable batteries.

Otherwise there is a risk of fire and explosion.

- **Do not expose the charger to rain or wet conditions.**
Water entering a power tool will increase the risk of electric shock.
- **Keep the charger clean.** *Dirt poses a risk of electric shock.*
- **Always check the charger, cable and plug before use. Stop using the charger if you discover any damage. Do not open the charger yourself, and have it repaired only by a qualified specialist using only original replacement parts.**
Damaged chargers, cables and plugs increase the risk of electric shock.
- **Do not operate the charger on an easily ignited surface (e.g. paper, textiles, etc.) or in a flammable environment.**
There is a risk of fire due to the charger heating up during operation.
- *In order to avoid safety hazards, if the power supply cord needs to be replaced, this must be done by GARDENA or by a customer service centre that is authorised to repair GARDENA power tools.*
- **Do not operate the product while it is charging.**

Products sold in GB only: Your product is fitted with an BS 1363/A approved electric plug with internal fuse (ASTA approved to BS 1362). If the plug is not suitable for your socket outlets, it should be cut off and an appropriate plug fitted in its place by an authorised customer service agent. The replacement plug should have the same fuse rating as the original plug. The severed plug must be disposed of to avoid a possible shock hazard and should never be inserted into a mains socket elsewhere.

- **These safety warnings apply only for lithium-ion batteries of the POWER FOR ALL system PBA 18V.**
- **Only use the battery with products of the POWER FOR ALL system manufacturers.** *This is the only way in which you can protect the battery against dangerous overload.*
- **Recharge only with the charger specified by the manufacturer.**
A charger that is suitable for one type of battery pack may create a risk of fire when used with another battery pack.
- **The battery is supplied partially charged.**
To ensure full battery capacity, fully charge the battery in the charger before using your power tool for the first time.
- **Keep battery packs out of the reach of children.**
- **Do not open the battery.** *There is a risk of short-circuiting.*
- **In case of damage and improper use of the battery, vapours may be emitted. The battery can set alight or explode.**
Ensure the area is well ventilated and seek medical attention should you experience any adverse effects. The vapours may irritate the respiratory system.
- **If used incorrectly or if the battery is damaged, flammable liquid may be ejected from the battery. Contact with this liquid should be avoided. If contact accidentally occurs, rinse off with water. If the liquid comes into contact with your eyes, seek additional medical attention.**
Liquid ejected from the battery may cause irritation or burns.
- **If the battery is damaged liquid can be ejected and cover nearby surfaces. Check affected parts.**
Clean these parts or change them if necessary.
- **Do not short-circuit the battery pack. When the battery pack is not in use, keep it away from other metal objects, like paper clips, coins, keys, nails, screws or other small metal objects, that can make a connection from one terminal to another.**
Shorting the battery terminals together may cause burns or a fire.
- **The battery can be damaged by pointed objects such as nails or screwdrivers or by force applied externally.** *An internal short circuit may occur, causing the battery to burn, smoke, explode or overheat.*
- **Never service damaged battery packs.** *Service of battery packs should only be performed by the manufacturer or authorized service providers.*
- **Protect the battery against heat, e.g. against continuous intense sunlight, fire, dirt, water and moisture.**
 There is a risk of explosion and short-circuiting.
- **Only operate and store the battery at an ambient temperature between -20 °C and +50 °C.**
Do not leave the battery in your car in the summer, for example. At temperatures of <0 °C some devices may experience a loss of power.
- **Only charge the battery at an ambient temperature which is between 0 °C and +45 °C.** *Charging outside of this temperature range can increase the risk of damage to the battery and pose a fire hazard.*

Electrical safety



DANGER! Cardiac arrest!

This product makes an electromagnetic field while it operates. This field may under some conditions interfere with active or passive medical implants. To decrease the risk of conditions that can possibly injure or kill, we recommend persons with medical implants to speak with their physician and the medical implant manufacturer before you operate the product.

Only use the battery product between -10 °C and 40 °C.

Thoroughly inspect the area where the product is to be used and remove all wires and other foreign objects.

In case of an unintended start (e.g. due to a welded switch) disconnect the battery immediately from device and let the product repaired by the GARDENA service.

Disconnect the product from the mains and disconnect the battery if the product starts to vibrate abnormally. Check immediately. Excessive vibration can cause injury.

Do not use the product nearby a water.

Do not operate next to swimming pools or garden ponds.

Protect the battery contacts from moisture.

Personal safety



DANGER! Risk of suffocation!

Small parts can be easily swallowed. There is also a risk that the poly-bag can suffocate toddlers. Keep toddlers away when you assemble the product.

Know how to stop the product quickly in an emergency.

Avoid contact to the oil of the blade in particular when you react allergic with it.

Only work in the daylight or when visibility is good.

Check your product before each use. Always visually inspect your Hedge Trimmer before each use. Check that the ventilation slots are not obstructed in any way.

If the product got hot while operation, let it cool down before storage.

Warning! When wearing hearing protection, and due to the noise produced by the product, the operator may not notice persons approaching.

Always wear suitable clothing, protective gloves, and stout shoes.

Always ensure that you have a secure foothold whilst working.

4. Examine the charge status regularly while you charge.

5. When the battery (B) is completely charged, you can disconnect the battery (B) from the charger (C).

Meaning of the Indication Elements:

Indication on the charger [Fig. O3]:

Flashing of the Battery Charge Indicator (L) The charging procedure is indicated by **flashing** of the battery charge indicator (L).



Note: The charging procedure is only possible when the battery temperature is within the allowable charging temperature range, see 7. TECHNICAL DATA.

Continuous Lighting of the Battery Charge Indicator (L)



Continuous lighting of the battery charge indicator (L) indicates that the battery is fully charged or that the temperature of the battery is not within the allowable charging temperature range and can therefore not be charged.

When the battery is not inserted, **continuous lighting** of the battery charge indicator (L) indicates that the mains plug is inserted in the socket outlet and that the battery charger is ready for operation.

Battery charge status indication (P) on the product [Fig. O4/O8]:

After starting the product, the battery charge status indication (P) is displayed for 5 seconds.

Battery charge status	Battery charge status indication
67 – 100 % charged	(L), (L) and (L) illuminate green
34 – 66 % charged	(L) and (L) illuminate green
11 – 33 % charged	(L) illuminates green
0 – 10 % charged	(L) flashes green

If the LED (L) flashes green, the battery must be charged.

If the error LED (M) is illuminated or flashing, see 6. TROUBLESHOOTING.

Work positions:

The hedge trimmer can be operated in 3 positions.

- Side trimming [Fig. O5]
- High trimming [Fig. O6]
- Low trimming [Fig. O7]

To start the hedge trimmer [Fig. O1/O8]:



DANGER! Risk of injury!

Risk of injury if the product does not stop when you release the start levers.

→ **Do not bypass the safety devices or switches. For example do not attach the start levers to the handle.**

To start:

The product is provided with a two-handed safety device (2 start levers) to prevent the product from being turned on by accident.

1. Put the battery (B) into the battery holder (D) until it audibly engages.
2. Remove the protective cover from the blade.
3. Hold the front handle (1) with one hand and pull the front start lever (3).
4. Hold the main handle (4) with the other hand and pull the rear start lever (5).

The hedge trimmer starts and the battery charge status indication (P) is displayed for 5 seconds.

To stop:

1. Release the two start levers (3)/(5).
The hedge trimmer stops.
2. Slide the protective cover over the blade.
3. Push the locking button (A) and remove the battery (B) from the battery holder (D).

4. MAINTENANCE



DANGER! Risk of injury!

Cut injury when the product starts accidentally.

→ **Wait for the blade to stop, remove the battery and slide the protective cover over the blade before you maintain the product.**

To clean the Hedge Trimmer [Fig. M1]:



DANGER! Risk of injury!

Risk of injury and risk of damage to the product.

2. ASSEMBLY



DANGER! Risk of injury!

Cut injury when the product starts accidentally.

→ **Remove the battery and slide the protective cover over the blade before you assemble the product.**

To assemble the front handle [Fig. A1]:

1. Loosen both screws (2) and remove them.
2. Push the front handle (1) into the slot in the hedge trimmer.
Make sure that the front handle (1) is completely in place and the handle hole is inline up with the threaded hole.
3. Put both screws (2) in the threaded holes in the hedge trimmer.
Do not push the front start lever (3) while you doing this.
4. Tighten both screws (2).
Make sure that the screws (2) are tightened and the start button (3) can be completely pushed.

3. OPERATION



DANGER! Risk of injury!

Cut injury when the product starts accidentally.

→ **Wait for the blade to stop, remove the battery and slide the protective cover over the blade before you adjust or transport the product.**

To charge the battery [Fig. O1/O2/O3]:



CAUTION!

→ **Note the mains voltage!** The voltage of the power source must match the voltage specified on the rating plate of the charger.

For the GARDENA Battery Hedge Trimmer Art. 14730-55/ 14731-55 there is no battery and no charger in the scope of delivery.

Thanks to the intelligent charging process, the charge condition of the battery is automatically detected and then charged up with the optimal charge current depending on battery temperature and voltage.

In this way, the battery is treated with care and remains permanently fully charged when it is stored in the charger.

1. Push the locking button (A) and remove the battery (B) from the battery holder (D).
2. Connect the battery charger (C) into a mains socket.
3. Slide the battery charger (C) onto the battery (B).

When the battery charge indicator (L) at the charger flashes green the battery is being charged.

When the battery charge indicator (L) at the charger illuminates permanently green the battery is completely charged
(Charging time see 7. TECHNICAL DATA).

- Do not clean the product with water or with a water jet (in particular high-pressure water jet).
- Do not clean with chemicals including petrol or solvents. Some can destroy critical plastic parts.

The airflow slots must always be clean.

1. Clean the hedge trimmer with a damp cloth.
2. Clean the airflow slots (6) with a soft brush (do not use a screwdriver).
3. Lubricate the blade with a low viscosity oil (e.g. GARDENA Maintenance Oil Art. 2366).
Avoid contact with the plastic parts.

To clean the battery and the battery charger:

Make sure that the surface and the contacts of the battery and the battery charger always are clean and dry before you connect the battery charger.

Do not use running water.

- **Battery charger:** Clean the contacts and the plastic parts with a soft and dry cloth.
- **Battery:** Occasionally clean the ventilation slots and the terminals on the battery using a soft brush that is clean and dry.

5. STORAGE

To put into storage:

The product must be stored away from children.

1. Slide the protective cover over the blade.
2. Remove the battery.
3. Charge the battery.
4. Clean the hedge trimmer, the battery and the battery charger (see 4. MAINTENANCE).
5. Store the hedge trimmer, the battery and the battery charger in a dry, enclosed and frost-free place.

Disposal:

(in accordance with RL2012/19/EC)



The product must not be disposed of to normal household waste. It must be disposed of in line with local environmental regulations.

IMPORTANT!

- Dispose of the product through or via your municipal recycling collection centre.

Disposal of the battery:



The GARDENA battery contains lithium-ion cells that should not be disposed of with normal household waste at the end of its life.

Li-ion

IMPORTANT!

- Dispose of the batteries through or via your municipal recycling collection centre.
1. Discharge the lithium-ion cells completely (contact the GARDENA Service).
 2. Protect the contacts on the lithium-ion cells against short circuits.
 3. Dispose of the lithium-ion cells properly.

6. TROUBLESHOOTING



DANGER! Risk of injury!

Cut injury when the product starts accidentally.

- Wait for the blade to stop, remove the battery and slide the protective cover over the blade before you troubleshoot the product.

Problem	Possible Cause	Remedy
Hedge trimmer can no longer be stopped	Start lever is stuck.	→ Remove the battery and loosen the start lever.
Hedge is not cleanly cut	Blade is blunt or damaged.	→ Let the blade replaced by the GARDENA Service.

Problem	Possible Cause	Remedy
Hedge trimmer vibrates severely	Blade is damaged.	→ Switch off the product and let the blade be replaced.
Hedge trimmer does not start or stops. LED (L) is flashing green [Fig. 04]	Battery is empty.	→ Charge the battery.
Hedge trimmer does not start or stops. Error-LED (M) is illuminated red [Fig. 04]	Battery temperature is outside the permissible temperature range.	→ Wait until the battery temperature is between 0 °C – + 45 °C again.
	There are drops of water or moisture between the battery contacts on the hedge trimmer.	→ Remove the water drops/ moisture with a dry cloth.
	Engine is blocked.	→ Remove the obstacle. Start again.
Hedge trimmer does not start or stops. Error-LED (N) is flashing red [Fig. 04]	Product is defective.	→ Contact the GARDENA Service.
Hedge trimmer does not start or stops. Error-LED (O) is not illuminated [Fig. 04]	Battery is not put completely into the battery holder.	→ Put the battery completely into the battery holder until it audibly engages.
	Battery is defective.	→ Replace the battery.
	Product is defective.	→ Contact the GARDENA Service.
Charging is not possible. Battery charge indicator (P) is continuously illuminated [Fig. 03]	The battery is not connected (correctly).	→ Connect the battery to charger correctly.
	Battery contacts are dirty.	→ Clean the battery contacts (e.g. by connecting and disconnecting the battery several times. Replace the battery if necessary.
	Battery temperature is outside the permissible charging temperature range.	→ Wait until the battery temperature is between 0 °C – + 45 °C again.
	Battery is defective.	→ Replace the battery.
Battery charge indicator (Q) is not illuminated [Fig. 03]	Mains plug of the charger is not (correctly) plugged in.	→ Insert the mains plug into the mains socket (completely).
	Socket outlet, mains cable or charger is defective.	→ Check the mains voltage. Let the charger be checked if necessary by an authorised specialist dealer or the GARDENA Service.



NOTE: For any other malfunctions please contact the GARDENA service department. Repairs must only be done by GARDENA service departments or specialist dealers approved by GARDENA.

7. TECHNICAL DATA

Battery Hedge Trimmer	Unit	Value (Art. 14730)	Value (Art. 14731)
Strokes	1/min	2400	2400
Length of blade	cm	50	60
Tooth gap of blade	mm	20	20
Weight (without Battery)	kg	2.6	2.7
Sound pressure level $L_{pa}^{1)}$ Uncertainty k_{pa}	dB (A)	84 3	84 3
Sound power level $L_{WA}^{2)}$: measured / guaranteed Uncertainty k_{WA}	dB (A)	91 / 94 3	92 / 95 3
Hand / arm vibration $a_{vhw}^{1)}$ Uncertainty k_{vhw}	m/s^2	1.9 1.5	1.5 1.5

Measuring process complying with: ¹⁾ EN 62841-4-2 ²⁾ RL 2000/14/EC



NOTE: The stated vibration emission value has been measured according to a standardised test procedure and can be used for comparison of one electric power tool with another. It can also be used for preliminary evaluation of exposure. The vibration emission value can vary during actual use of the electric power tool.

System Battery	Unit	Value (Art. 14902) PBA 18V 2.0Ah W-B	Value (Art. 14903) PBA 18V 2.5Ah W-B
Battery voltage	V (DC)	18	18
Battery capacity	Ah	2.0	2.5

System Battery	Unit	Value (Art. 14902) PBA 18V 2.0Ah W-B	Value (Art. 14903) PBA 18V 2.5Ah W-B
Number of cells (Li-Ion)		5	5

Appropriate POWER FOR ALL system Battery Chargers: AL 18..CV.

Battery Charger AL 1810 CV P4A	Unit	Value (Art. 14900)
Mains voltage	V (AC)	220 – 240
Mains frequency	Hz	50 – 60
Rated power	W	26
Battery charging voltage	V (DC)	18
Max. battery charging current	mA	1000

Battery charging time 80% / 97 – 100% (approx.)		
PBA 18V 2.0Ah W-B	min.	96 / 124
PBA 18V 2.5Ah W-B	min.	120 / 154
PBA 18V 4.0Ah W-C	min.	192 / 244

Permitted charging temperature range	°C	0 – 45
---	----	--------

Weight according to EPTA-Procedure 01:2014	kg	0.17
---	----	------

Protection class	□ / II	
-------------------------	--------	--

Appropriate POWER FOR ALL system Batteries: PBA 18V.

The manufacturer's warranty is governed by the law of the Federal Republic of Germany.

In case of a warranty claim, please return the faulty product, together with a copy of the receipt and a description of the fault, with postage paid to the service address.

Consumables:

The blade and excentric drive are consumables and are not included in the warranty.

8. ACCESSORIES

GARDENA Maintenance Oil	Extends the life of the blade and the battery idling time.	Art. 2366
--------------------------------	--	------------------

GARDENA Collecting Bag Cut&Collect ComfortCut/Power-Cut	Easy and comfortable collecting of the chopped property.	Art. 6002
--	--	------------------

GARDENA System Battery PBA 18V/45 P4A PBA 18V/72 P4A	Battery for additional duration or for replacement.	Art. 14903 Art. 14905
---	---	----------------------------------

GARDENA Battery Quick Charger AL 1830 CV P4A	Charger for fast charging the POWER FOR ALL system Batteries PBA 18V..W-..	Art. 14901
---	--	-------------------

9. SERVICE/WARRANTY

Service:

Please contact the address on the back page.

Warranty statement:

In the event of a warranty claim, no charge is levied to you for the services provided.

GARDENA Manufacturing GmbH grants a warranty for all original GARDENA new products for two years from the date of original purchase from the retailer, provided that the devices have been for private use only. This manufacturer's warranty does not apply to products acquired second hand. This warranty includes all significant defects of the product that can be proved to be material or manufacturing faults. This warranty is fulfilled by supplying a fully functional replacement product or by repairing the faulty product sent to us free of charge; we reserve the right to choose between these options. This service is subject to the following provisions:

- The product has been used for its intended purpose as per the recommendations in the operating instructions.
- Neither the purchaser nor a third party has attempted to open or repair the product.
- Only Original GARDENA replacement parts and wear parts have been used for operation.
- Presentation of the receipt.

Normal wear and tear of parts and components (such as blades, blade fixing parts, turbines, light bulbs, V-belts/toothed belts, impellers, air filters, spark plugs), visual changes, wear parts and consumables are excluded from the warranty.

This manufacturer's warranty is limited to replacement and repair of products in accordance with the abovementioned conditions. The manufacturer's warranty does not constitute an entitlement to lodge other claims against us as a manufacturer, such as for damages. This manufacturer's warranty does **not**, of course, affect statutory and contractual warranty claims against the dealer/retailer.

<p>DE EU-Konformitätserklärung Der Unterzeichnende bestätigt als Bevollmächtigter des Herstellers, der GARDENA Germany AB, PO Box 7454, S-103 92, Stockholm, Schweden, dass das (die) nachfolgend bezeichnete(n) Geräte(s) in der von uns in Verkehr gebrachten Ausführung die Anforderungen der harmonisierten EU-Richtlinien, EU-Sicherheitsstandards und produktspezifischen Standards erfüllen/erfüllen. Bei einer nicht mit uns abgestimmten Änderung des (der) Geräte(s) verliert diese Erklärung ihre Gültigkeit.</p>	<p>HU EU megfeleléségi nyilatkozat Az alulírott, a GARDENA Germany AB, Pf. 7454, S-103 92, Stockholm, Svédország megbízotti minőségében megerősíti, hogy az általunk alábbi kivitelben forgalomba hozott, lent nevezett eszköz(ök) megfelel(nek) az unióis irányelvekkel összhangba hozott nemzeti előírások követelményeinek, az EU biztonsági szabványainak és a konkrét termékre vonatkozó szabványoknak. Az eszköz(ök)nek velünk nem egyeztetett módosítása esetén ez a nyilatkozat érvényét veszti.</p>
<p>EN EC Declaration of Conformity The undersigned hereby certifies as the authorized representative of the manufacturer, GARDENA Germany AB, PO Box 7454, S-103 92, Stockholm, Sweden, that, when leaving our factory, the unit(s) indicated below is/are in accordance with the harmonised EU guidelines, EU standards of safety and product specific standards. This certificate becomes void if the unit(s) is/are modified without our approval.</p>	<p>CS EU prohlášení o shodě Podpisem osoba plnomocněná výrobcem GARDENA Germany AB, PO Box 7454, S-103 92, Stockholm, Švédsko potvrzuje, že v následujícím uvedený(-é) přístroj(-e) v provedení námi uvedeném na trh splňuje/splňují požadavky směrnice EU, bezpečnostních norem EU a norem specifických pro výrobek. V případě změny přístroje(-ů), která s námi nebyla dohodnuta, ztrácí toto prohlášení svou platnost.</p>
<p>FR Déclaration de conformité CE Le soussigné déclare, en tant que mandataire du fabricant, la GARDENA Germany AB, PO Box 7454, S-103 92, Stockholm, Suède, qu'à la sortie de ses usines le matériel neuf désigné ci-dessous était conforme aux prescriptions des directives européennes énoncées ci-après et conforme aux règles de sécurité et autres règles qui lui sont applicables dans le cadre de l'Union européenne. Toute modification portée sur ce(s) produit(s) sans l'accord express de notre part supprime la validité de ce certificat.</p>	<p>SK EÚ vyhlásenie o zhode Dolú podpísaný potvrdzuje, ako splnomocnený zástupca výrobcu, GARDENA Germany AB, PO Box 7454, S-103 92, Stockholm, Švédsko, potvrdzuje, že ďalej označené zariadenie /a/ vo vyhotovení uvedenom na trh spĺňa /jú požiadavky harmonizovaných smerníc EU, bezpečnostných štandardov EU a predpisov, špecifických pre dané výrobky. Pri zmene zariadenia/zariadení, ktorá nebola odsúhlasená našou spoločnosťou, stráca toto vyhlásenie platnosť.</p>
<p>NL EU-conformiteitsverklaring De ondergetekende bevestigt als gevolmachtigde van de fabrikant, GARDENA Germany AB, PO Box 7454, S-103 92, Stockholm, Zweden, dat het/de onderstaand vermelde apparaat/apparaten in de door ons in de handel gebrachte uitvoering voldoet/voldoen aan de eisen van de geharmoniseerde EU-richtlijnen, EU-veiligheidsnormen en productspecifieke normen. Bij een niet met ons afgestemde verandering van het apparaat/de apparaten verliest deze verklaring haar geldigheid.</p>	<p>EL Δήλωση συμμόρφωσης ΕΕ Ο υπογεγραμμένος βεβαιώνει ως πληρεξούσιος του κατασκευαστή, της εταιρείας GARDENA Germany AB, T.Θ. 7454, S-103 92, Στοκχόλμη, Σουηδία, ότι η(οι) παρακάτω αναφερόμενη(ς) συσκευή(ς) στην έκδοσή που τίθεται από εμάς σε κυκλοφορία πληροί/πληρούν τις απαιτήσεις των ευρωπαϊκών οδηγιών της ΕΕ, προτύπων ασφαλείας της ΕΕ και των ειδικών για το προϊόν προτύπων. Σε περίπτωση τροποποίησης της (των) συσκευής(ών) χωρίς προηγούμενη συνεννόηση με την εταιρεία μας παύει να ισχύει η δήλωση.</p>
<p>SV EU-försäkran om överensstämmelse Undertecknad intygar som befulldäktad företrädare för tillverkaren, GARDENA Germany AB, PO Box 7454, S-103 92, Stockholm, Sverige, att nedan angiven apparat/ nedan angivna apparater i det utförande vi har släppt på marknaden, uppfyller förordningarna i de harmoniserade EU-direktiv, EU-säkerhetsstandarderna och de produktspecifika standarderna. Denna försäkran upphör att gälla vid en ändring av apparaten/apparaterna som inte har stämts av med oss.</p>	<p>SL Izjava EU o skladnosti Spodaj podpisani kot pooblaščenec proizvajalca GARDENA Germany AB, PO Box 7454, S-103 92, Stockholm, Švedska, potrjuje, da v nadaljevanju označene naprave v izvedbi, v kakršni smo jih dali v promet, izpolnjuje zahteve usklajenih direktiv EU, varnostnega standarda EU in standardov, ki veljajo za posamezne izdelke. V primeru spremembe naprave, ki ni usklajena z nami, ta izjava neha veljati.</p>
<p>DA EU-overensstemmelseserklæring Underskriveren bekræfter som fuldmægtig for producenten, GARDENA Germany AB, PO Box 7454, S-103 92, Stockholm, Sverige, at det (de) efterfølgende betegnede apparat(er) i den af os markedsførte udførelse opfylder kravene i de harmoniserede EU-direktiver, EU-sikkerhedsstandarder og produktspecifikke standarder. Foretages en ændring af apparatet/apparaterne, der ikke er aftalt med os, mister denne erklæring sin gyldighed.</p>	<p>HR EU izjava o skladnosti Dolje potpisani kao ovlaštenik proizvođača, tvrtke GARDENA Germany AB, PO Box 7454, S-103 92, Stockholm, Švedska, potvrđuje, da u nadaljevanju naznačene naprave u izvedbi, u kakršni smo ih dali u promet, izpunjavaju kriterije uskladenih direktiva EU i sigurnosnih standarda EU kao i standarda koji se tiču proizvoda. Ova izjava gubi valjanost u slučaju izmjena uređaja koje nisu prethodno ugovorene s nama.</p>
<p>FI EU-vaatimustenmukaisuusvakuutus Allekirjoittanut vahvistaa valmistajan, GARDENA Germany AB, PO Box 7454, S-103 92, Tukholma, Ruotsi, valtuuttamansa henkilöä, että seuraava laite täyttää/ seuraavat laitteet täyttävät meidän toimittamassa mallissa yhdenmukaistettujen EU-direktiivien, EU-turvallisuusmääräysten ja tuotekohtaisen standardien vaatimukset. Laitteen/ laitteiden muutoksissa, joista ei ole sovittu meidän kanssamme, menettää tämä selvitys voimassolonsa.</p>	<p>RO Declarație de conformitate UE Semnatul, în calitate sa de împuternicit al producătorului GARDENA Germany AB, PO Box 7454, S-103 92, Stockholm, Suedia, confirmă că aparatul (aparatele) descrise în cele ce urmează, în execuția pusă de noi pe piață îndeplinesc cerințele directivelor armonizate UE, ale standardelor de siguranță UE și ale standardelor specifice produsului. În cazul modificării fără aprobarea noastră prealabilă a aparatului (aparatoarelor), această declarație își pierde valabilitatea.</p>
<p>IT Dichiarazione di conformità UE Il sottoscritto, in quanto soggetto autorizzato dal produttore, GARDENA Germany AB, PO Box 7454, S-103 92, Stoccolma, Svezia, dichiara che l'apparecchio/gli apparecchi di seguito denominato/i, nella versione da noi immessa in commercio, soddisfa/no i requisiti delle direttive UE armonizzate, degli standard di sicurezza europei e degli standard specifici per il prodotto. La presente dichiarazione perde di validità in caso di modifica dell'apparecchio/degli apparecchi non concordata con noi.</p>	<p>BG ЕС-Декларация за съответствие Долнописаният удостоверява като пълномощник на производителя GARDENA Germany AB, PO Box 7454, S-103 92, Стокхолм, Швеция, че по-долу описаният(ите) уред(и) във варианта на изпълнение пунат от нас на пазара изпълнява/ изпълняват изискванията на хармонизираните ЕС-директиви, ЕС-норми за безопасност и специфичните норми за продукцията. В случай на промяна на уред(ите), която не е съгласувана с нас, тази декларация губи своята валидност.</p>
<p>ES Declaración de conformidad de la UE El firmante confirma, en calidad de apoderado del fabricante GARDENA Germany AB, PO Box 7454, S-103 92 Estocolmo (Suecia), que el/ los aparato(s) mencionado(s) a continuación cumple(n), en la versión lanzada al mercado por nuestra empresa, los requisitos de las directivas de la UE armonizadas, los estándares de seguridad de la UE y los estándares específicos del producto. La presente declaración perderá su validez si se modifica(n) el/ los aparato(s) sin previa aprobación por nuestra parte.</p>	<p>ET EL-i vastavusdeklaratsioon Allakirjutaja kinnitab tootja, GARDENA Germany AB, PO Box 7454, S-103 92, Stockholm, Rootsi, poolt volitatud isikuna, et järgnevalt nimetatud seade (seadmed) täidab (täidavad) meelde poolt turule toodud versiooni kuul harmoniseeritud EL-i direktiivide, EL-i ohutusstandardide ja tootepõhiste standardite nõudeid. Seadme (seadmete) meiega kooskõlastamata muudatuse tegemise korral kaotab käesolev deklaratsioon oma kehtivuse.</p>
<p>PT Declaração CE de Conformidade O abaixo-assinado, na qualidade de representante do fabricante, GARDENA Germany AB, PO Box 7454, S-103 92, Stockholm, Schweden, confirma que o(s) aparelho(s) a seguir designado(s) no modelo lançado por nós no mercado cumpre/cumprem os requisitos das diretivas UE harmonizadas, as normas de segurança UE e as normas específicas para estes produtos. Esta declaração perde a sua validade se forem realizadas alterações no(s) aparelho(s) sem o nosso consentimento.</p>	<p>LT ES atitikties deklaracija Pasirašantis, kaip gamintojo, GARDENA Germany AB, PO Box 7454, S-103 92, Stokholmas, Švedija, įgaliotasis atstovas patvirtina, kad žemiau nurodyti(-i) prietaisai(-ų) modeliai, kurie buvo pagaminti mūsų gamykloje, atitinka darniasias ES direktyvas, ES saugumo standartus ir specifinius gaminių standartus. Atlikus bet koki prietais(-ų) pakeitimą, kuris nėra suderintas su mumis, ši deklaracija praranda galiojimą.</p>
<p>PL Deklaracja zgodności UE Nижєj podpisany potwierdza jako upoważniony przedstawiciel producenta, spółki GARDENA Germany AB, PO Box 7454, S-103 92, Stokholm, Szwecja, że określone poniżej urządzenie/-nia w wersji wprowadzonej przez nas do obrotu spełnia/-niają wymogi zharmonizowanych dyrektyw UE, norm bezpieczeństwa UE oraz norm dotyczących konkretnych produktów. Niniejsza deklaracja traci ważność w przypadku wprowadzania niezgodnych z nami zmian urządzenia/-ń.</p>	<p>LV ES atbilstības deklarācija Lēmā parakstījisies persona kā ražotāja, GARDENA Germany AB, PO Box 7454, S-103 92, Stokholma, Zviedrija, pilnvarotais pārstāvis apstiprina, ka tālāk norādītā(-s) ierīcē(-s) izpildījuma, kādā mēs to (tās) esam laidusi tirgū, atbilst skaidrotajam ES direktīvam, ES drošības standartiem un konkrētajam produktam noteiktajam standartiem. Ierīcē(-s) veicot ar mums nesaskaņotas izmaiņas, šī deklarācija zaudē savu spēku.</p>

<p>Produktbezeichnung: Description of the product: Désignation du produit : Beschrijving van het product: Beskrivning av produkten: Beskrivelse af produktet: Tuoteen kuvaus: Descrizione del prodotto: Descripción del producto: Descrição do produto: Opis produktu: A termék leírása: Popis výrobku: Popis produktu: Περιγραφή του προϊόντος: Opis izdelka: Opis proizvoda: Descrierea produsului: Описание на продукта: Toote kirjeldus: Gaminio aprašas: Izstrādājuma apraksts:</p>	<p>Akku-Heckenschere Battery Hedge Trimmer Taille-haies à batterie Accu-heggenschaar Accu-häcksax Hækkeklipper med genopladelig accu Akkukäyttöinen pensasleikkuri Tagliasiepi a batteria Recortasetos con Accu Corta sebas a batería Akumulatorowe nożyce do żywoplotu Akkumulatorové nůžky na živý plot Akumulatorové nožnice na živý plot Μπορνοτρομαχίδιο μπαταρίας Akumulatorske škare za živo mejo Baterijske škare za živicu Trimmer de gard viu cu baterie Акумулаторна ножница за жив плет Akuga hekkilõikur Akkumulatorinēs gyvatvoriņ dzīvžoga šķēres Ar akumulatoru darbināmas dzīvžoga šķēres</p>	<p>Harmonisierte EN-Normen / Harmonised EN: EN ISO 12100 EN 62841-1 EN 62841-4-2</p> <p>Schall-Leistungspegel: Noise level: Niveau sonore : Geluidsniveau: Ljudnivå: Støjniveau: Äänitaso: Livello acustico: Niveau de ruido: Nivel de ruido: Poziom hałas: Zajszint: Hladina hluku:</p> <p>gemessen/ garantiert measured/ guaranteed mesuré/ garanti gemeten/ gegarandeerd uppmätt/ garanterad mält/ garanteret mitattu/ taattu misurato/ garantito medido/ garantizado medido/ garantido zmierzony/ gwarantowany mért/ garantált naměřená/ zaručená</p> <p>Hladiny hluku: Επίπεδο θορύβου: Raven zvočne moči: Razina buke: Nível de zgomot: Ниво на шум: Mūratase: Triukšmo lygis: Trošņa līmenis :</p> <p>14730 14731</p> <p>Anbringungsjahr der CE-Kennzeichnung: Year of CE marking: Année d'apposition du marquage CE : Installatiejaar van de CE-aanduiding: Märkningsår: CE-Mærkningsår: CE-merkin kiinnitysvuosi: Anno di applicazione della certificazione CE: Colocación del distintivo CE: Ano de marcação pela CE: Rok nadania oznakowania CE:</p> <p>CE-jelzés elhelyezésének éve: Rok umístění značky CE: Rok udelenia značky CE: Έτος οψήματος CE: Leto namestitve CE-oznake: Godina dobivanja CE oznake: Anul de marcare CE: Година на поставяне на CE-маркировка: CE-márgistuse paigaldamise aasta: Metai, kada pažymėta CE-ženklui: CE-markežjuma uzliktšanas gads:</p> <p>2020</p>
<p>Produkttyp: Product type: Type de produit: Producttype: Producttype: Producttype: Tuotetyyppi: Tipo adi prodotto: Tipo de producto: Tipo de produto: Typ produktu:</p>	<p>Terméktípus: Druh výrobku: Typ de produit: Typo προϊόντος: Vrsta izdelka: Vrsta proizvoda: Tip produs: Тип продукт: Tootetüüp: Gaminio tipas: Produkta veids:</p>	<p>Ulm, den 30.10.2020 Ulm, 30.10.2020 Fait à Ulm, le 30.10.2020 Ulm, 30-10-2020 Ulm, 2020.10.30. Ulm, 30.10.2020 Ulm, 30.10.2020 Ulm, 30.10.2020 Ulm, 30.10.2020 Ulm, 30.10.2020 Ulm, 30.10.2020 Ulm, 30.10.2020 Ulm, 30.10.2020 Ulm, 30.10.2020 Ulm, 30.10.2020 Ulm, 30.10.2020 Ulm, 30.10.2020 Ulm, 30.10.2020 Ulm, 30.10.2020 Ulm, 30.10.2020</p> <p>Der Bevollmächtigte Authorised representative Le mandataire De gevolmachtigde Auktoriserad representant Autoriseret repræsntant Valtuutettu edustaja Persona delegata La persona autorizada O representante Pelnomocnik Meghatalmazott Zplnomocnenec Splnomocnený O εξουσιοδοτημένος Pooblaščenec Ovlaštena osoba Conducerea tehnică Упълномощен Volitatu esindaja Įgaliotasis atstovas Pilnvarotā persona</p>
<p>EU-Richtlinien: EC-Directives: Directives CE : EG-richtlijnen: EU-direktiv: EF-direktiv: EY-direktiv: Direttive UE: Directiva CE: Diretivas CE: Dyrektywy WE: EK-irányelvek: Predpisy ES: Smernice EU: Οδηγίες EK: Direktive EU: EC direktive: Directive CE: Директиви на EO: EU direktiivid:</p>	<p>EB direktivos: EK direktivas: 2000/14/EG 2006/42/EG 2011/65/EU 2014/30/EU Ladegerät/ Charger: 2014/35/EC</p>	<p>Hinterlegte Dokumentation: GARDENA Technische Dokumentation, M. Kugler 89079 Ulm Deposited Documentation: GARDENA Technical Documentation, M. Kugler 89079 Ulm Documentation déposée : Documentation technique GARDENA, M. Kugler 89079 Ulm Konformitätsbewertungs- verfahren: Nach 2000/14/EG Art. 14 Anhang V Conformity Assessment Procedure: according to 2000/14/EC Art.14 Annex V Procédure d'évaluation de la conformité : Selon 2000/14/CE art. 14 Annexe V</p> <p>Reinhard Pompe Vice President</p>

Deutschland / Germany

GARDENA
Manufacturing GmbH
Central Service
Hans-Lorenser-Straße 40
D-89079 Ulm
Produktfragen:
(+49) 731 490-123
Reparaturen:
(+49) 731 490-290
service@gardena.com
http://www.gardena.com

Albania

KRAFT SHPK
Autostrada Tirane-Durres
Km 7
1051 Tirane

Argentina

ROBERTO C. RUMBO S.R.L.
Predio Norlog
Lote 7
Benavidez. ZC:1621
Buenos Aires
ventas@rumbosrl.com.ar

Australia

Husqvarna Australia Pty. Ltd.
Locked Bag 5
Central Coast BC
NSW 2252
Phone: (+61) (0) 2 4352 7400
customer.service@
husqvarna.com.au

Austria / Österreich

Husqvarna Austria GmbH
Industriezeile 36
4010 Linz
Tel.: (+43) 732 77 01 01-485
service.gardena@
husqvarnagroup.com

Azerbaijan

Firm Progress
a. Aliyev Str. 26A
1052 Baku

Belarus

Private Enterprise
"Master Garden"
Minsk
Sharangovich str., 7a
Phone: (+375) 17 257-00-33
Mob.: (+375) 29 676-16-09
mg@mastergarden.by

Belgium

Husqvarna Belgium nv
Gardena Division
Leuvensesteenweg 542
Planet II E
1930 Zaventem
België

Bosnia / Herzegovina

SILK TRADE d.o.o.
Industrijska zona Bukva bb
74260 Tešanj

Brazil

Husqvarna do Brasil Ltda
Av. Francisco Matarazzo,
1400 - 19º andar
São Paulo - SP
CEP: 05001-903
Tel: 0800-112252
marketing.br.husqvarna@
husqvarna.com.br

Bulgaria

AGROLAND България АД
бул. 8 Декември, №13
Офис 5
1700 Студентски град
София
Тел.: (+359) 2466 69 10
info@agroland.eu

Canada / USA

GARDENA Canada Ltd.
100 Summerlea Road
Brampton, Ontario L6T 4X3
Phone: (+1) 905 792 93 30
info@gardenacanada.com

Chile

REPRESENTACIONES
JCE S.A.
Av. Del Valle Norte 857,
Piso 4
Santiago RM
Phone: (+56) 2 24142560
contacto@jce.cl

China

Husqvarna (Shanghai)
Management Co., Ltd.
富世华 (上海) 管理有限公司
3F, Benq Square B,
No207, Song Hong Rd.,
Chang Ning District,
Shanghai
PRC. 200335
上海市长宁区淞虹路207号明
基广场B座3楼, 邮编: 200335

Colombia

Husqvarna Colombia S.A.
Calle 18 No. 68 D-31, zona
Industrial de Montevideo
Bogotá, Cundinamarca
Tel. 571 2922700 ext. 105
jairo.salazar@
husqvarna.com.co

Costa Rica

Compania Exim
Euroiberoamericana S.A.
Los Colegios, Moravia,
200 metros al Sur del Colegio
Saint Francis - San José
Phone: (+506) 297 68 83
exim_euro@racsa.co.cr

Croatia

Husqvarna Austria GmbH
Industriezeile 36
4010 Linz
Tel.: (+43) 732 77 01 01-485
service.gardena@
husqvarnagroup.com

Cyprus

Med Marketing
17 Digeni Akrita Ave
P.O. Box 27017
1641 Nicosia

Czech Republic

Husqvarna Česko s.r.o.
Türkova 2319/5b
149 00 Praha 4 - Chodov
Bezplatná infolinka:
800 100 425
servis@cz.husqvarna.com

Denmark

GARDENA DANMARK
Lejrvvej 19, st.
3500 Værløse
Tlf.: (+45) 7026 4770
husqvarna@husqvarna.dk
www.gardena.com/dk

Dominican Republic

BOSQUESA, S.R.L
Carretera Santiago Licey
Km. 5 ½
Esquina Copal II.
Santiago
Dominican Republic
Phone: (+809) 736-0333
joserbosquesa@claro.net.do

Ecuador

Husqvarna Ecuador S.A.
Arupos E1-181 y 10 de
Agosto Quito, Pichincha
Tel. (+593) 22800739
francisco.jacome@
husqvarna.com.ec

Estonia

Husqvarna Eesti OÜ
Valdeku 132
EE-11216 Tallinn
info@agardena.ee

Finland

Oy Husqvarna Ab
Gardena Division
Lautatarhankatu 8 B/PL 3
00581 HELSINKI
www.gardena.fi

France

Husqvarna France
9/11 Allée des pierres mayettes
92635 Gennevilliers Cedex
France
http://www.gardena.com/fr
N° AZUR: 0 810 00 78 23
(Prix d'un appel local)

Georgia

Transporter LLC
113b Belialshvili street
0159 Tbilisi, Georgia

Great Britain

Husqvarna UK Ltd
Preston Road
Aycliffe Industrial Park
Newton Aycliffe
County Durham
DL5 6UP
info.gardena@
husqvarna.co.uk

Greece

Π. ΠΑΠΑΔΟΠΟΥΛΟΣ ΑΕΒΕ
Λεωφ. Αθηνών 92
Αθήνα
Τ.Κ.104 42
Ελλάδα
Τηλ. (+30) 210 51 93 100
info@papadopoulos.com.gr

Hungary

Husqvarna Magyarország Kft.
Ezred u. 1-3
1044 Budapest
Telefon: (+36) 1 251-4161
vevoszolgalat.husqvarna@
husqvarna.hu

Iceland

BYKO ehf.
Bildshöfoa 20
110 Reykjavik

Ireland

Husqvarna UK Ltd
Preston Road
Aycliffe Industrial Park
Newton Aycliffe
County Durham
DL5 6UP
info.gardena@
husqvarna.co.uk

Italy

Husqvarna Italia S.p.A.
Via Santa Vecchia 15
23868 VALMADRERA (LC)
Phone: (+39) 0341.203.111
assistenza.italia@
it.husqvarna.com

Japan

Husqvarna Zenoah Co., Ltd.
1-9 Minamidai
Kawagoe
350-1165 Saitama
gardena-jp@
husqvarnagroup.com

Kazakhstan

LAMED Ltd.
155/1, Tazhibayevoy Str.
050060 Almaty
IP Schmidt
Abayavenue 3B
110 005 Kostanay

Korea

Kyung Jin Trading CO.,LTD.
107-4, SunDuk Bld.,
YangJae-dong,
Seocho-gu,
Seoul, (zipcode: 137-891)
Phone: (+82) (0)2 574-6300

Latvia

Husqvarna Latvija SIA
Ulbrokas 19A
LV-1021 Riga
info@gardena.lv

Lithuania

UAB Husqvarna Lietuva
11273 Belgrade
LT-52104 Kaunas
info@gardena.lt

Luxembourg

Magasins Jules Neuberg
39, rue Jacques Stas
Luxembourg-Gasperich 2549
Case Postale No. 12
Luxembourg 2010
Phone: (+352) 40 14 01
api@neuberg.lu

Mexico

AFOSA
Av. Lopez Mateos Sur # 5019
Col. La Calma 45070
Zapopan, Jalisco
Mexico
Phone: (+52) 33 3818-3434
icornejo@afosa.com.mx

Moldova

Convel S.R.L.
290A Muncesti Str.
2002 Chisinau

Netherlands

Husqvarna Nederland B.V.
GARDENA Division
Postbus 50131
1305 AC ALMERE
Phone: (+31) 36 521 00 10
info@gardena.nl

Neth. Antilles

Jonka Enterprises N.V.
Sta. Rosa Weg 196
P.O. Box 8200
Curaçao
Phone: (+599) 9 767 66 55
pgm@jonka.com

New Zealand

Husqvarna New Zealand Ltd.
PO Box 76-437
Manukau City 2241
Phone: (+64) (0) 9 9202410
support.nz@husqvarna.co.nz

Norway

Husqvarna Norge AS
Gardena Division
Trøskenveien 36
1708 Sarpsborg
info@gardena.no

Peru

Husqvarna Perú S.A.
Jr. Ramón Cárcamo 710
Lima 1
Tel: (+51) 1 3320 400 ext. 416
juan.remuzgo@
husqvarna.com

Poland

Husqvarna
Poland Spółka z o.o.
ul. Wysockiego 15 b
03-371 Warszawa
Phone: (+48) 22 330 96 00
gardena@husqvarna.com.pl

Portugal

Husqvarna Portugal, SA
Lagoa - Albarraque
2635 - 595 Rio de Mouro
Tel.: (+351) 21 922 85 30
Fax : (+351) 21 922 85 36
info@gardena.pt

Romania

Madex International Srl
Soseaua Odaii 117-123,
RO 013603 București, S1
Phone: (+40) 21 352.76.03
madex@ines.ro

Russia / Россия

ООО „Хускварна“
141400, Московская обл.,
г. Химки,
улица Ленинградская,
владение 39, стр.6
Бизнес Центр
„Химки Бизнес Парк“,
помещение ОВ02_04
http://www.gardena.ru

Serbia

Domel d.o.o.
Autoput za Novi Sad bb
11273 Belgrade
Phone: (+381) 1 18 48 88 12
miroslav.jejina@domel.rs

Singapore

Hy-Ray PRIVATE LIMITED
40 Jalan Pemimpin
#02-08 Tat Ann Building
Singapore 577185
Phone: (+65) 6253 2277
shiyong@hyray.com.sg

Slovak Republic

Husqvarna Česko s.r.o.
Türkova 2319/5b
149 00 Praha 4 - Chodov
Bezplatná infolinka: 800 154 044
servis@sk.husqvarna.com

Slovenia

Husqvarna Austria GmbH
Industriezeile 36
4010 Linz
Tel.: (+43) 732 77 01 01-485
service.gardena@
husqvarnagroup.com

South Africa

Husqvarna South Africa (Pty) Ltd
Postnet Suite 250
Private Bag X6,
Cascades, 3202, South Africa
Phone: (+27) 33 846 9700
info@gardena.co.za

Spain

Husqvarna España S.A.
Calle de Rivas nº 10
28052 Madrid
Phone: (+34) 91 708 05 00
atencioncliente@gardena.es

Suriname

Deto Handelmaatschappij N.V.
Kernkampweg 72-74
P.O.Box: 12782
Paramaribo - Suriname
South America
Phone: (+597) 438050
www.deto.sr

Sweden

Husqvarna AB/
GARDENA Sverige
Drottninggatan 2
561 82 Huskvarna Sverige

Switzerland / Schweiz

Husqvarna Schweiz AG
Consumer Products
Industriestrasse 10
5506 Mägenwil
Phone: (+41) (0) 62 887 37 90
info@gardena.ch

Turkey

Dost Bahçe Diş Ticaret
Mümessillik A.Ş
Yunus Mah. Adil Sok. No:3
Ic Kapi No: 1 Kartal
34873 Istanbul
Phone: (+90) 216 38 93 939
info@dostbahce.com.tr

Ukraine / Україна

ТОВ «Хускварна Україна»
вул. Васильківська, 34,
офіс 204-г
03022, м. Київ
Тел. (+38) 0 800 504 804
info@gardena.ua

Uruguay

FELI SA
Entre Ríos 1083 CP 11800
Montevideo - Uruguay
Tel: (+598) 22 03 18 44
info@felisa.com.uy

Venezuela

Corporación Casa y Jardín C.A.
Av. Caroní, Edif. Trezmen, PB.
Colinas de Bello Monte.
1050 Caracas.
Tlf: (+58) 212 992 33 22
info@casayjardin.net.ve

14730-20.960.01/0920
© GARDENA Manufacturing GmbH
D-89079 Ulm
http://www.gardena.com