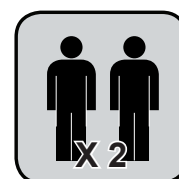
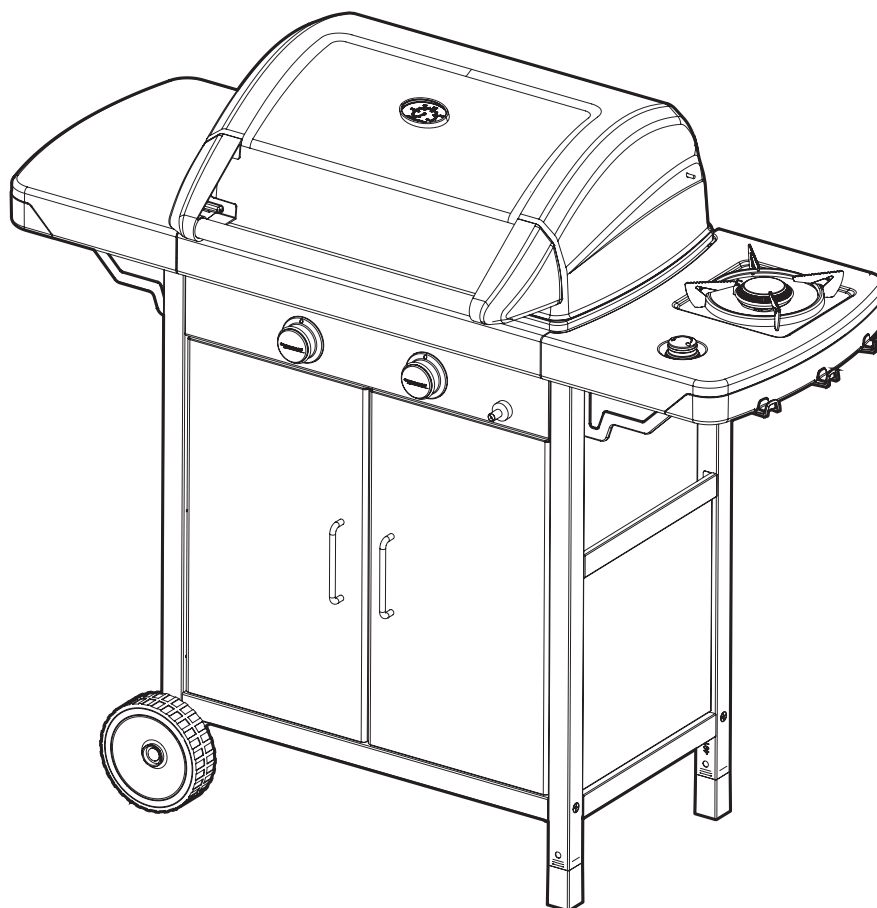


2 Series Classic EXS • 2 Series Classic EXS Vario



FR Instructions de montage

GB Assembly instructions

DE Montageanleitung

NL Montage-instructies

IT Istruzioni per il montaggio

ES Instrucciones de montaje

PT Instruções de montagem

NO Monteringsinstrukser

DK Monteringsvejledning

SE Monteringsanvisningar

FI Kokoamisohjeet

PL Instrukcja montażu

CZ Návod k montáži přiložen

SI Navodila za montažo

SK Návod na montáž

HU Összeszerelési-és használati utasítás

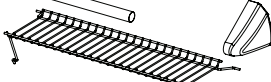
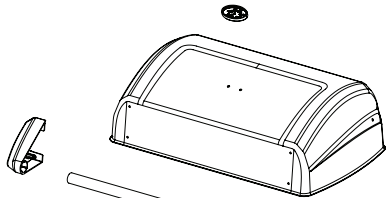
HR Upute za montiranje

RO Instrucțiuni de montaj

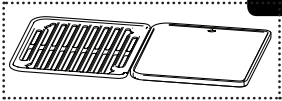
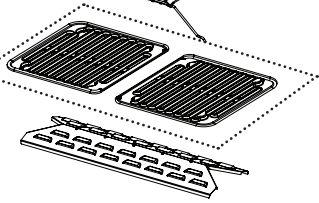
BG Указания за монтаж

TR Montaj

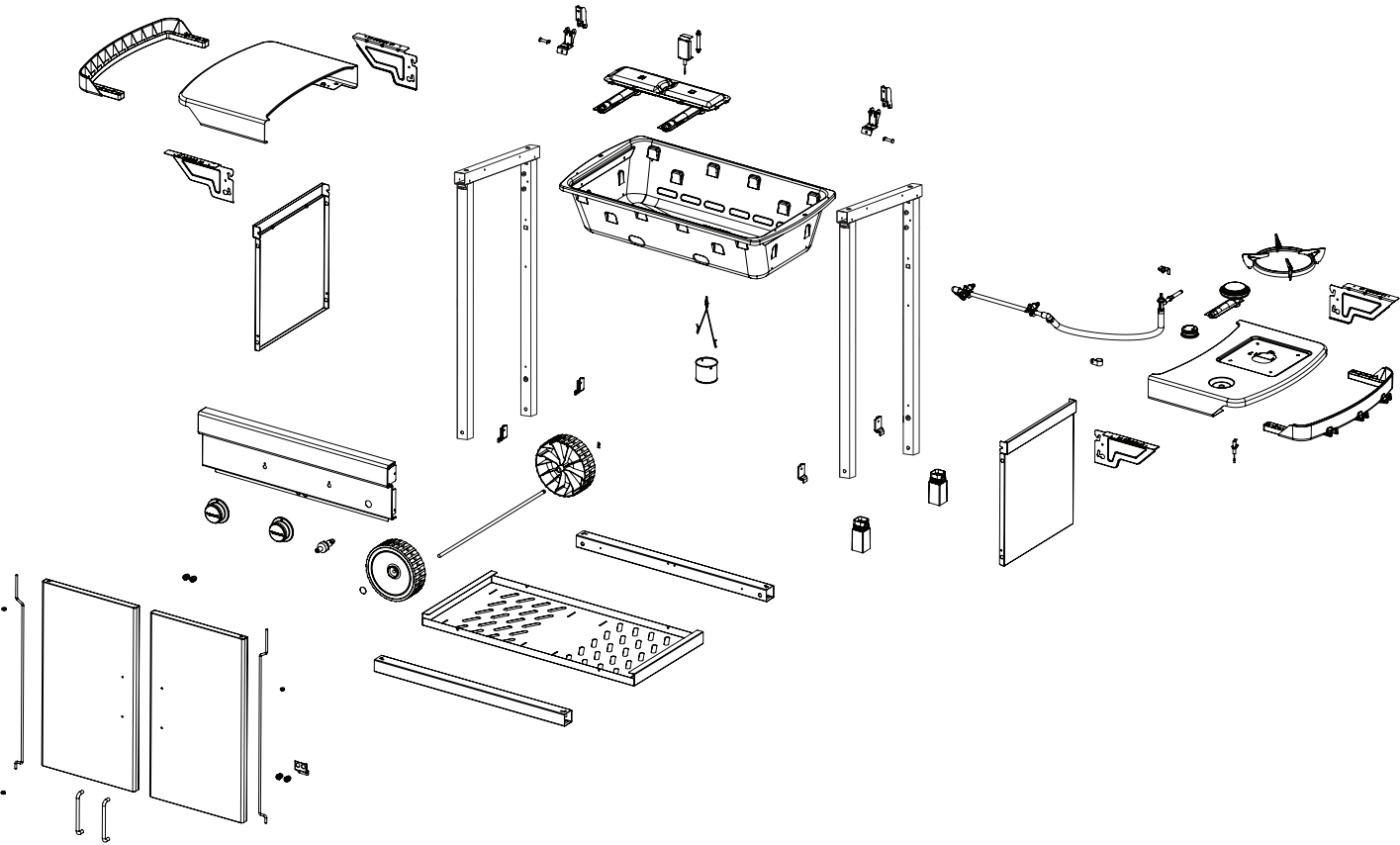
GR Οδηγίες συναρμολόγησης

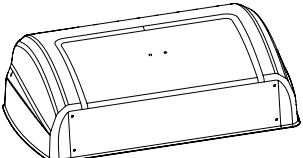
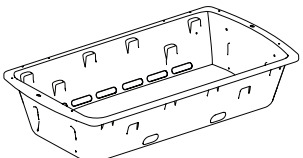
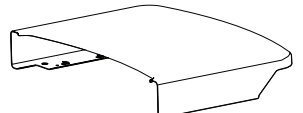
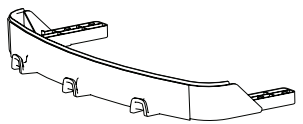
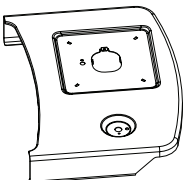
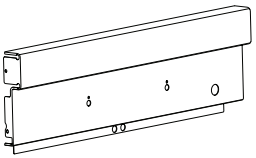
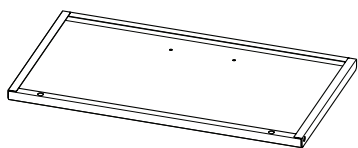
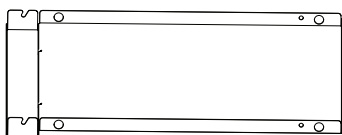
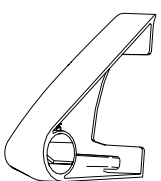


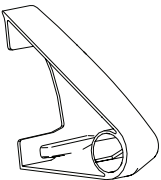
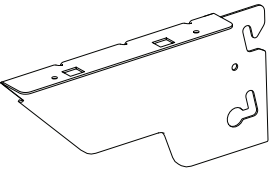
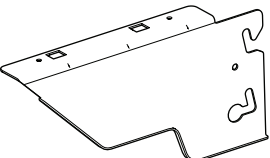
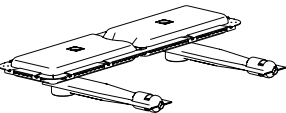
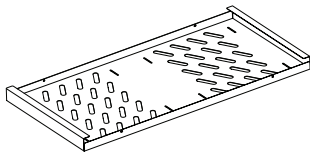
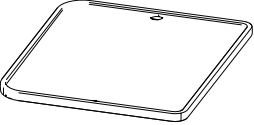

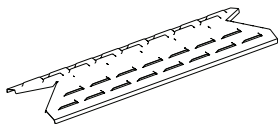
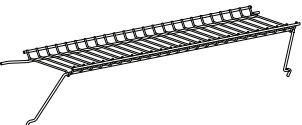
2 Classic EXS

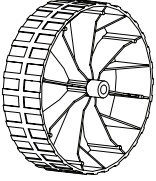
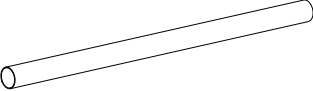

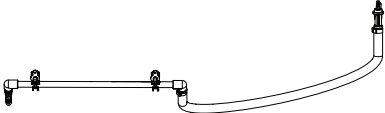
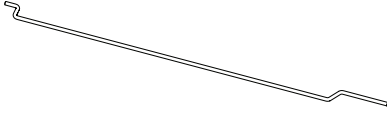
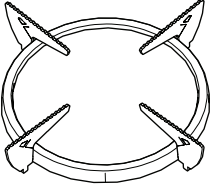


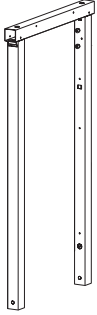
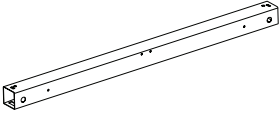
2 Classic EXS Vario


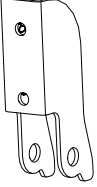
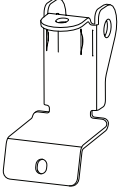


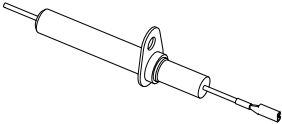
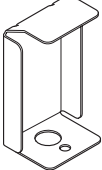




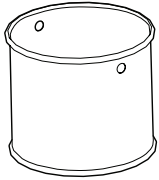
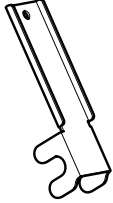
2 Classic EXS	2 Classic EXS Vario	
1	1	
1	1	
1	1	
2	2	
1	1	
1	1	
2	2	
2	2	
1	1	

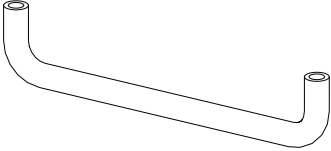
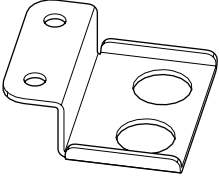
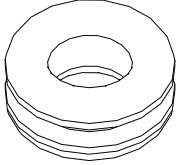
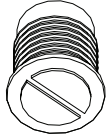
2 Classic EXS	2 Classic EXS Vario	
1	1	
2	2	
2	2	
1	1	
1	1	
0	1	
2	1	
1	1	
1	1	

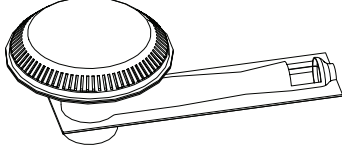
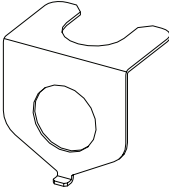
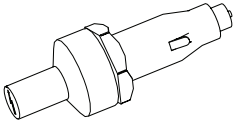
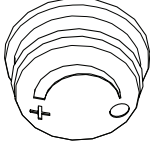
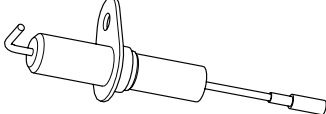
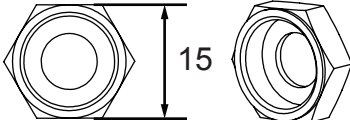

2 Classic EXS	2 Classic EXS Vario	
2	2	
1	1	
1	1	
1	1	
2	2	
1	1	



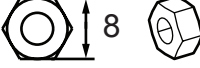


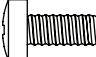

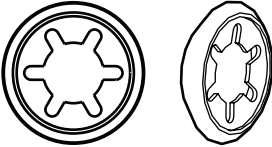
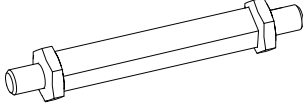
2 Classic EXS	2 Classic EXS Vario	
2	2	
2	2	


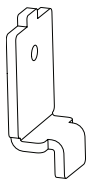
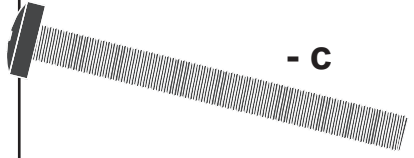
2 Classic EXS	2 Classic EXS Vario	
2	2	 A
2	2	
2	2	
2	2	
1	1	
1	1	
1	1	
2	2	
1	1	



2 Classic EXS	2 Classic EXS Vario	A
1	1	
1	1	


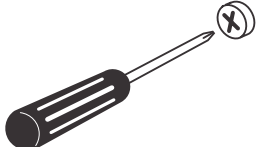
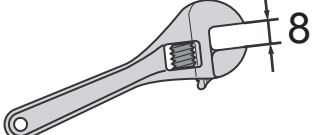
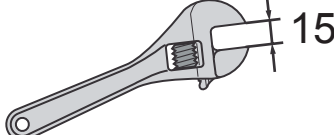
2 Classic EXS	2 Classic EXS Vario	D
2	2	
1	1	
4	4	
4	4	

2 Classic EXS	2 Classic EXS Vario	E
1	1	
1	1	
1	1	
1	1	
1	1	
1	1	
1	1	

2 Classic EXS	2 Classic EXS Vario	1:1 
6	6	 - a
2	2	
51	51	 - b
2	2	 - d
4	4	 - f
3	3	
2	2	
1	1	

2 Classic EXS	2 Classic EXS Vario	
4	4	
4	4	 - c

2 Classic EXS	2 Classic EXS Vario	1:1 
4	4	 - m

	
 8	 15

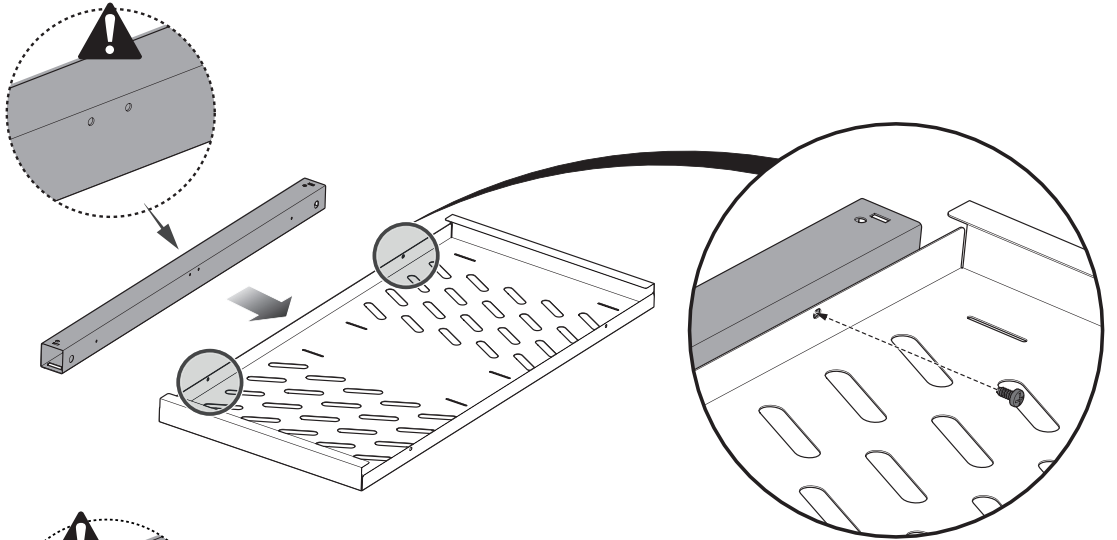
01



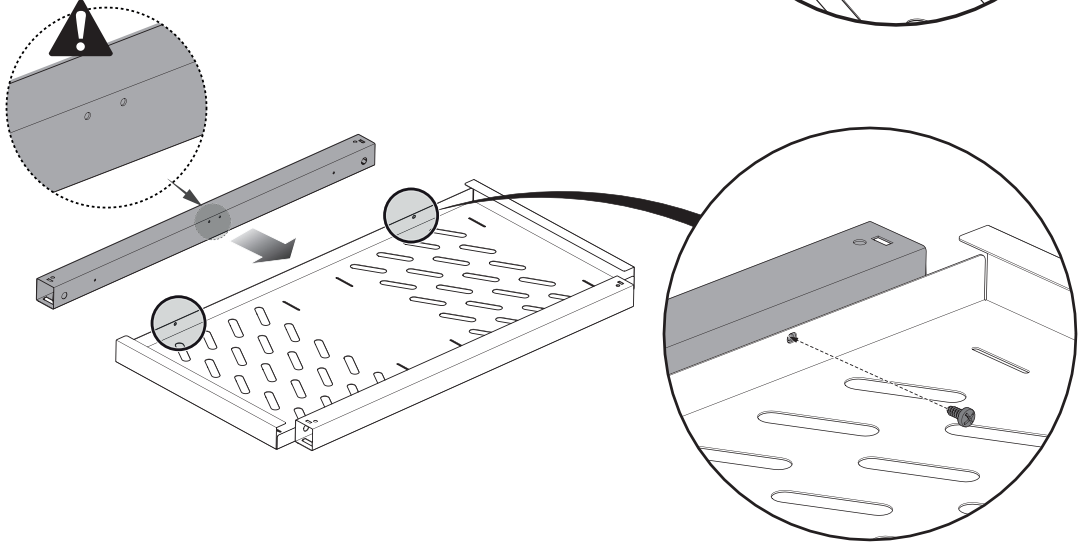
X 4

b

1a



1b



02

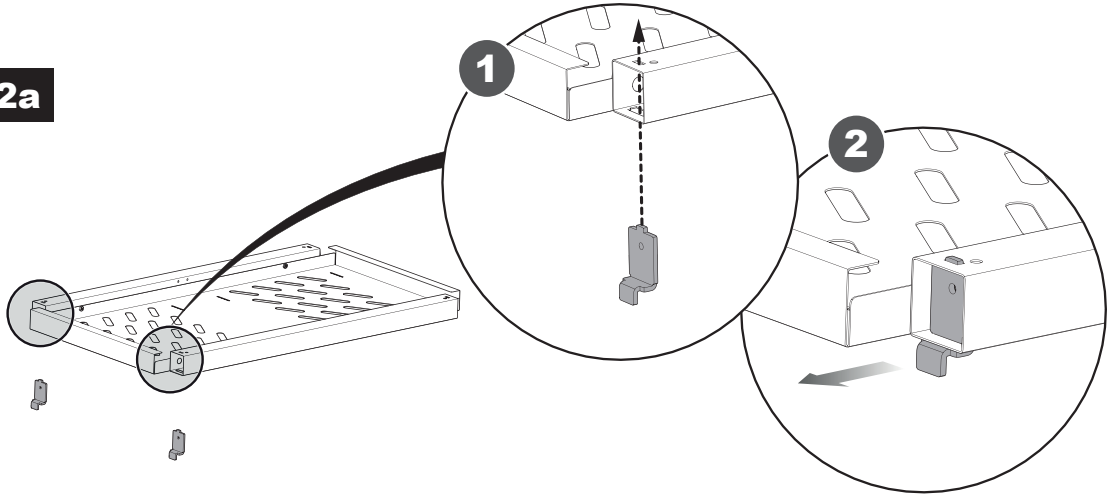


X 2

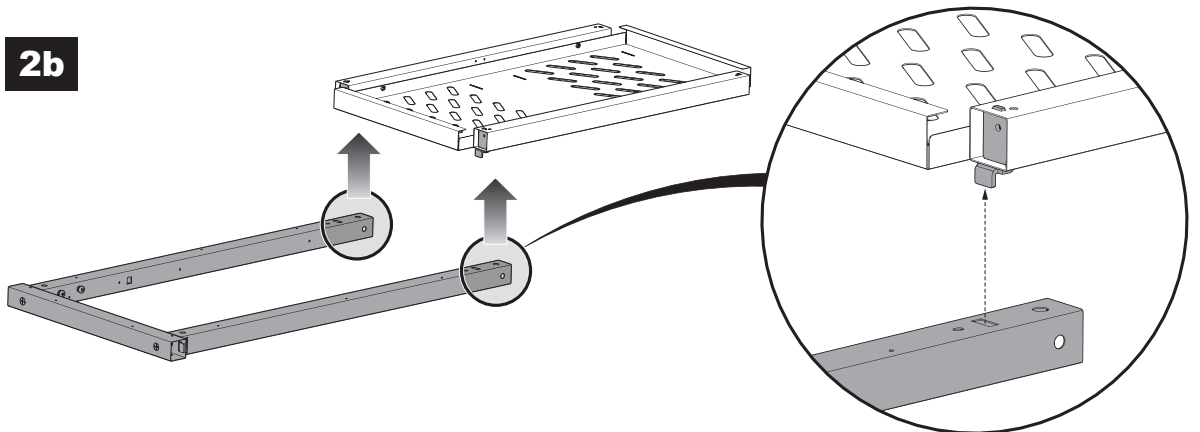


X 2

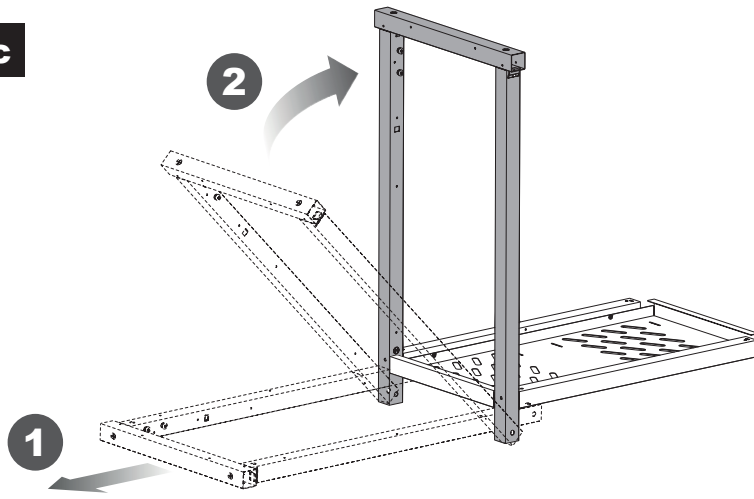
2a



2b



2c

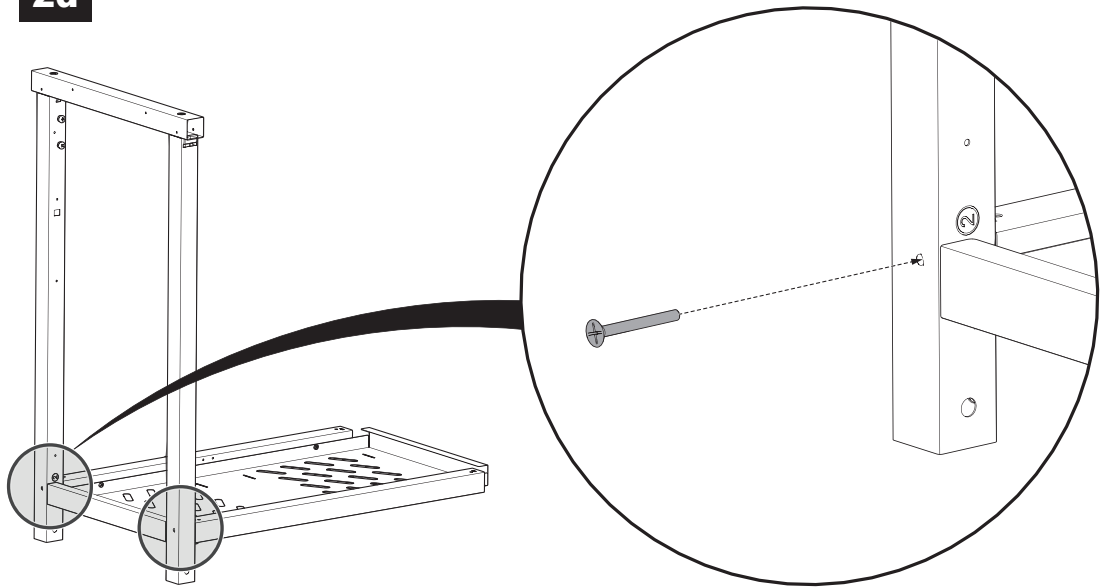


2d

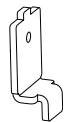


X 2

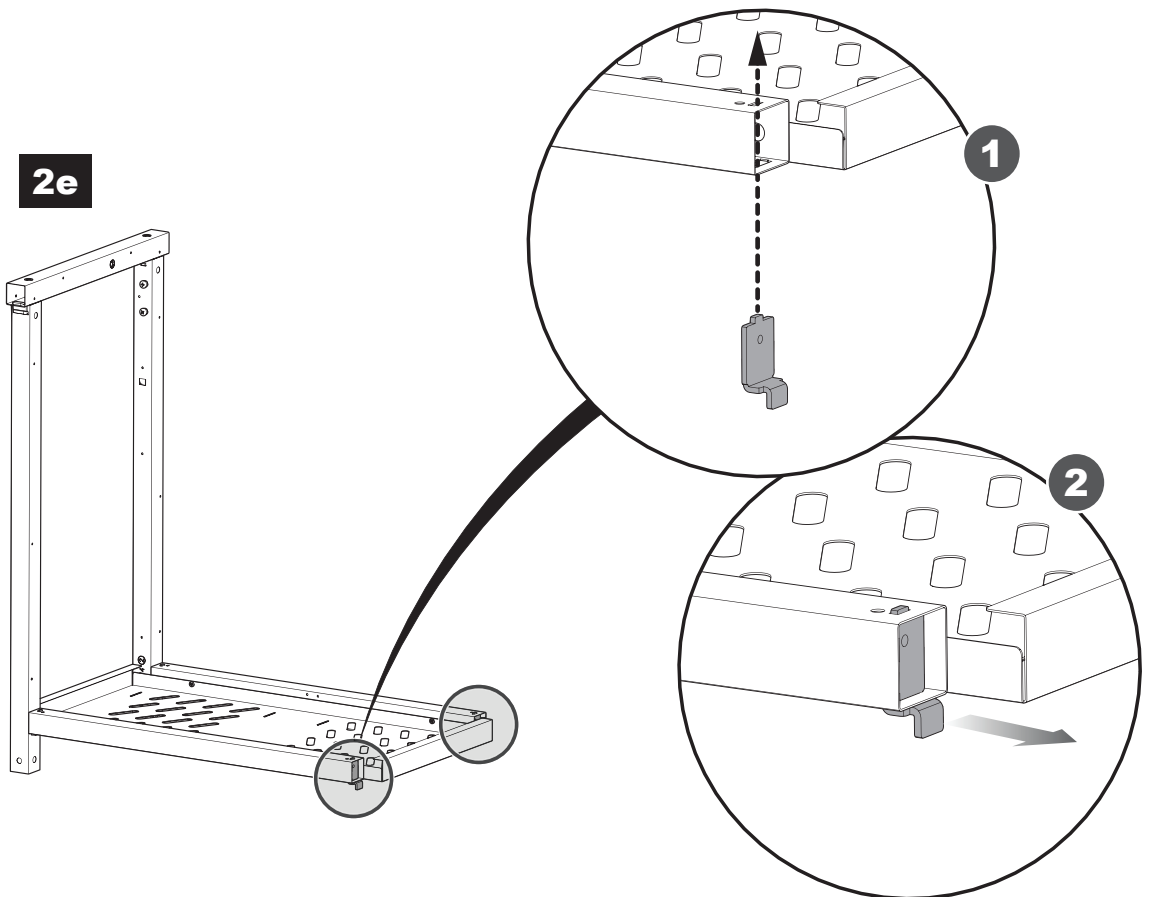
c



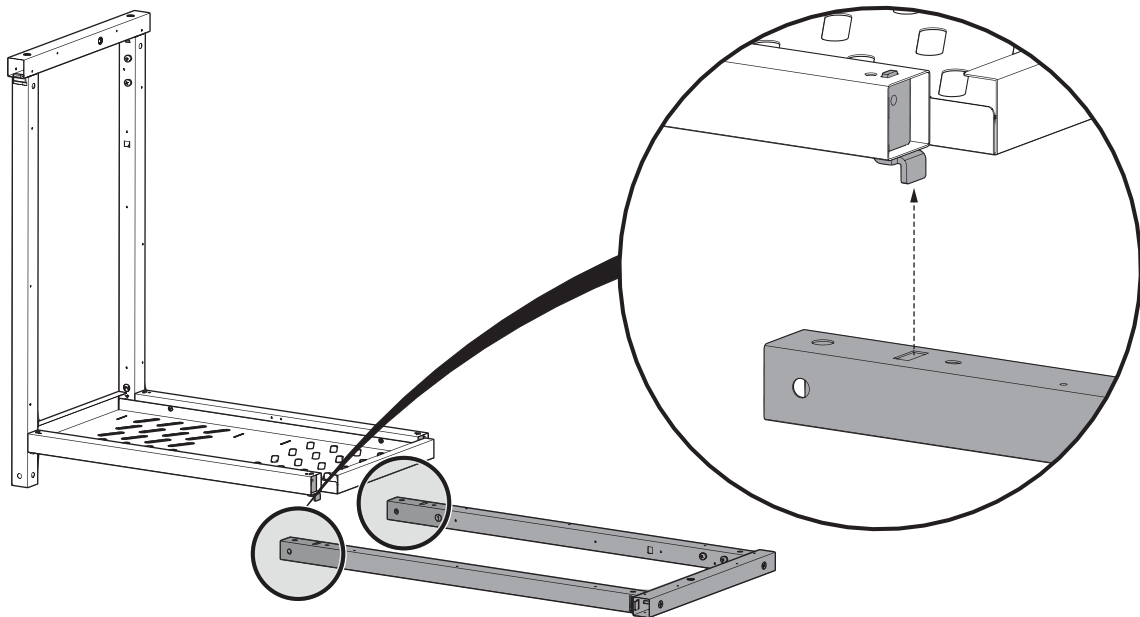
2e



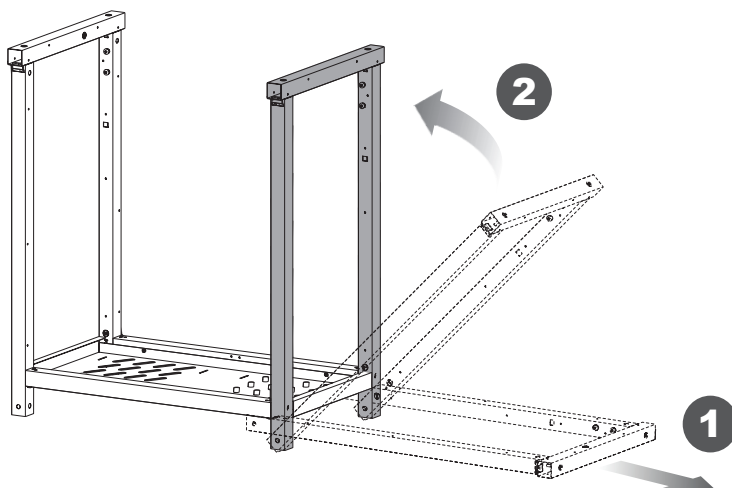
X 2



2f



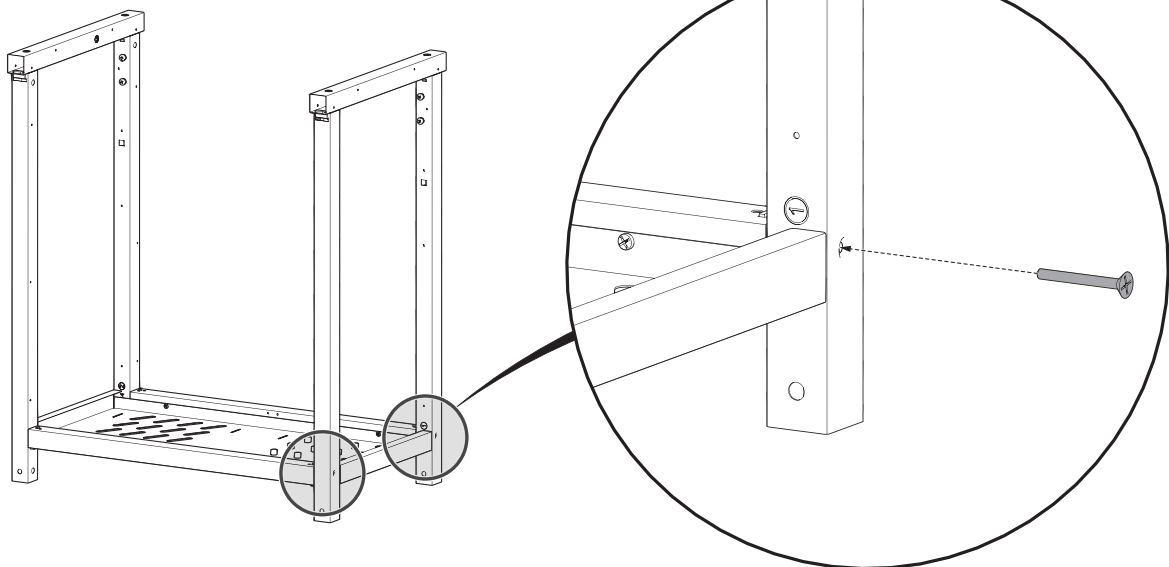
2g



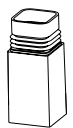
2h



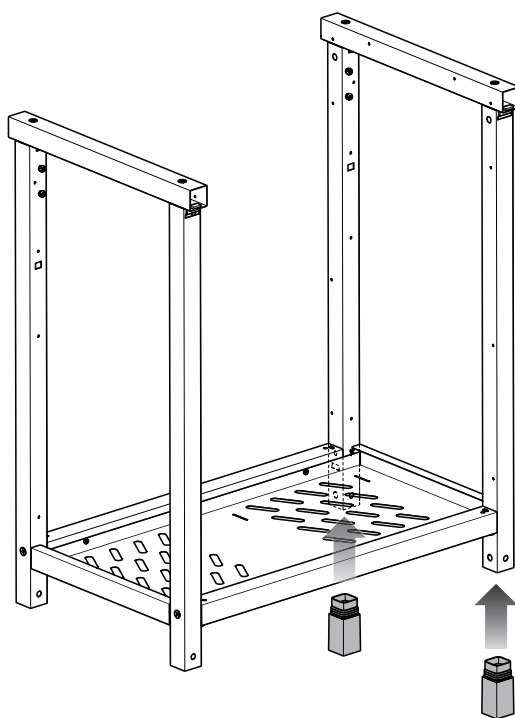
X 2



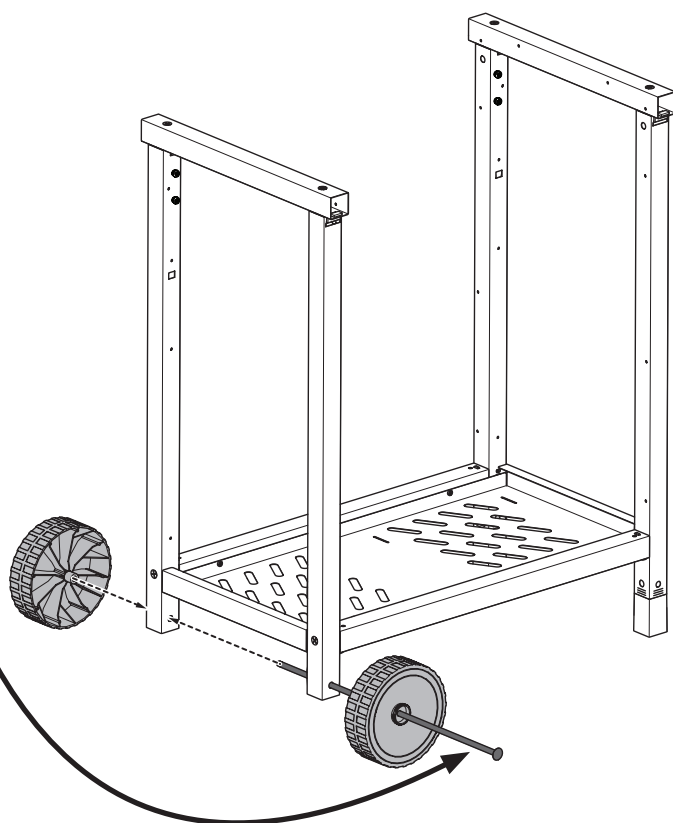
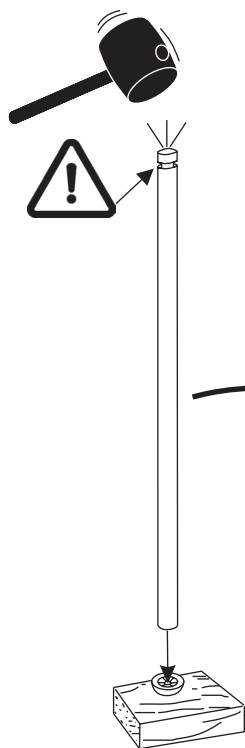
03



X 2

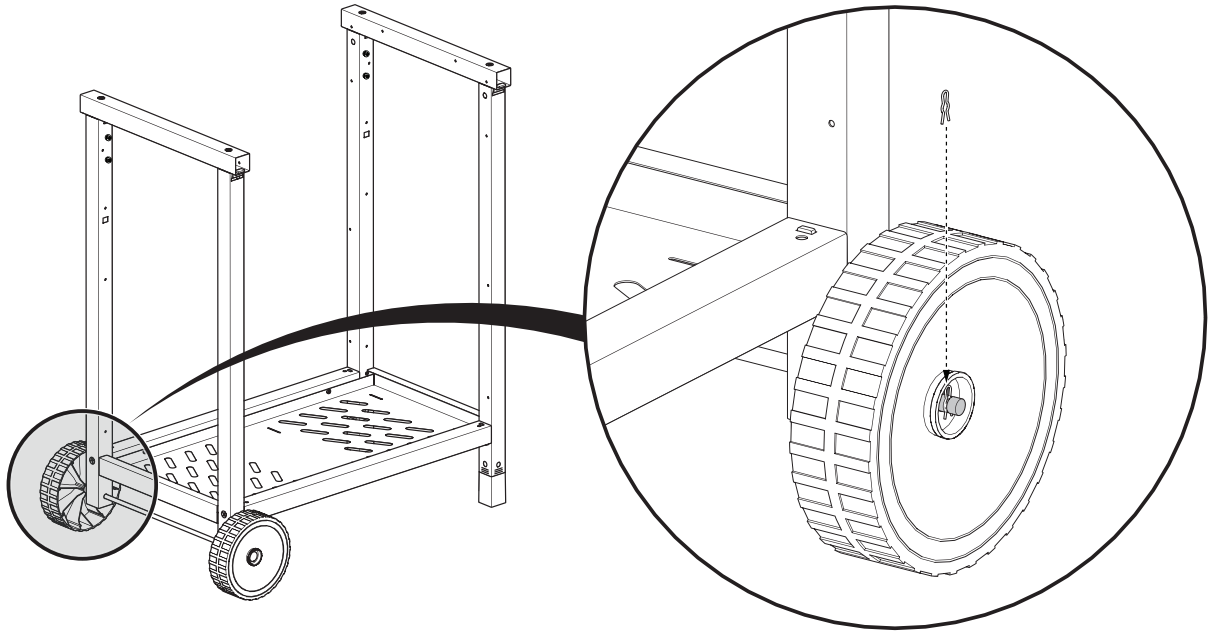


X 1






 X 1

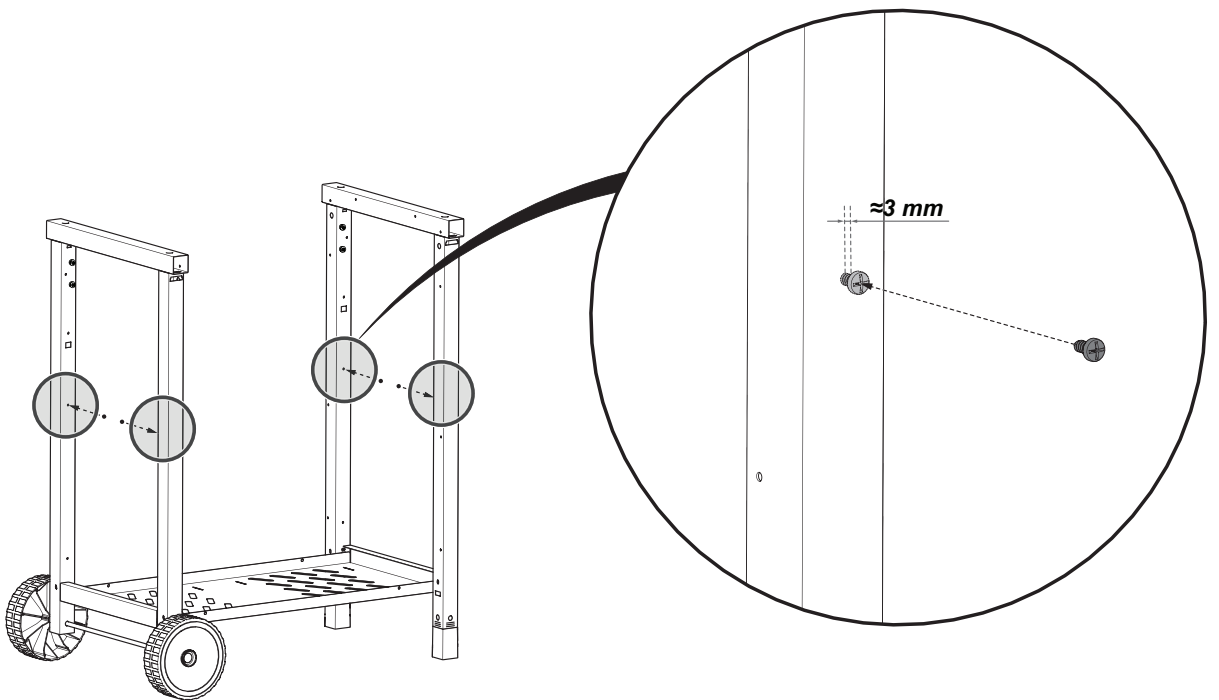


04



 X 4

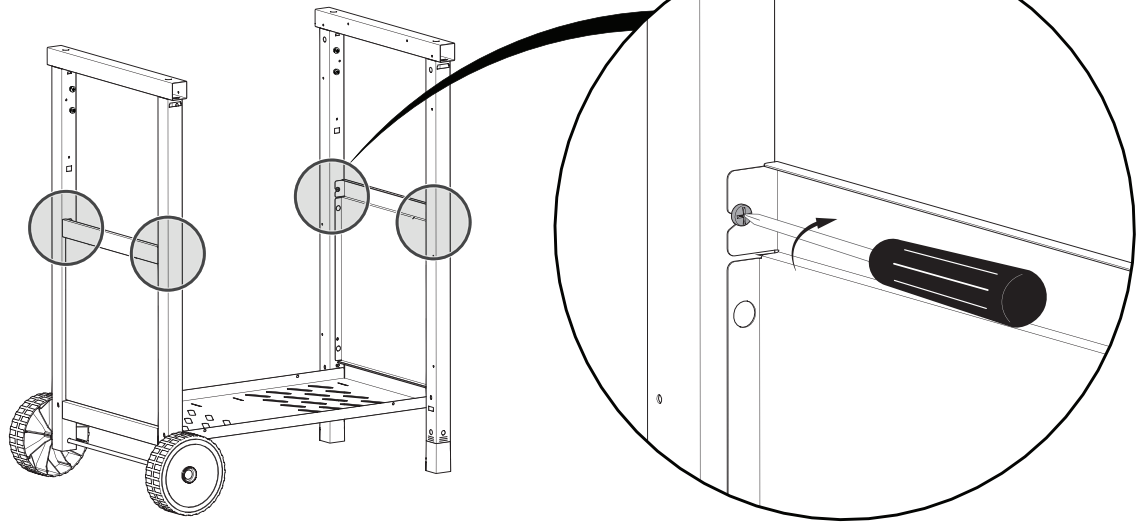
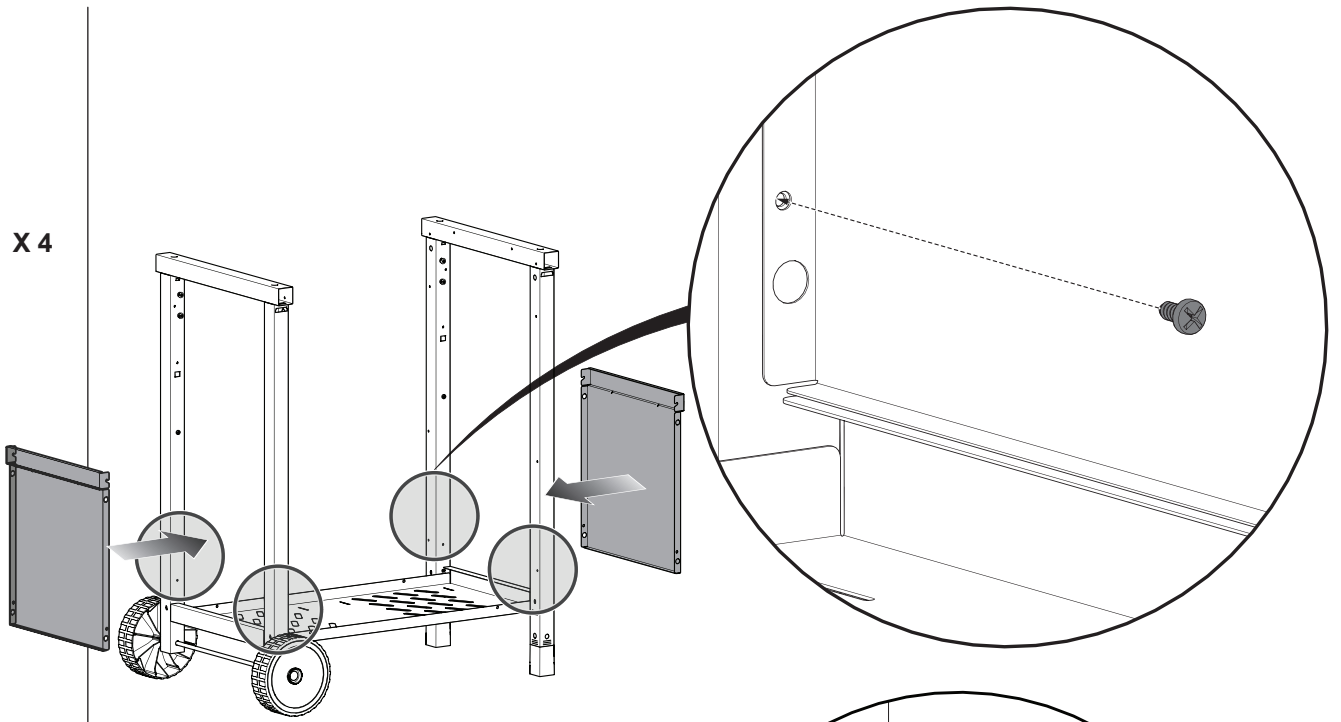
b



C

 X 4

b

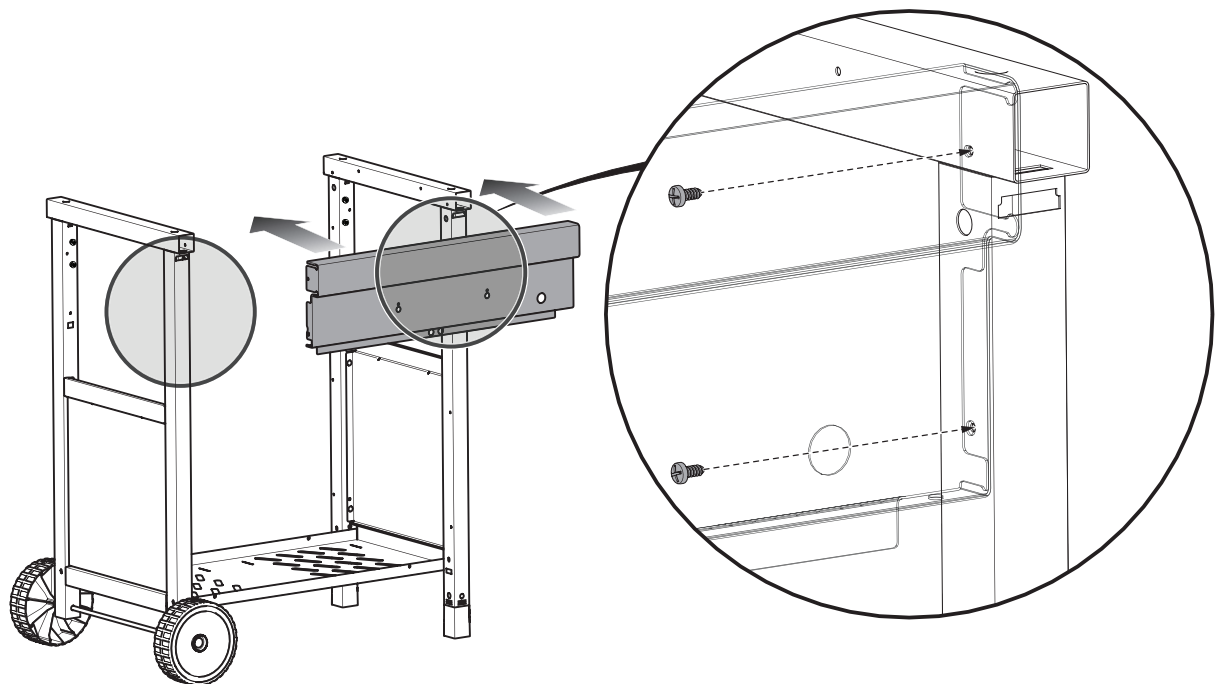


05

C

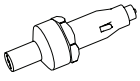
 X 4

b

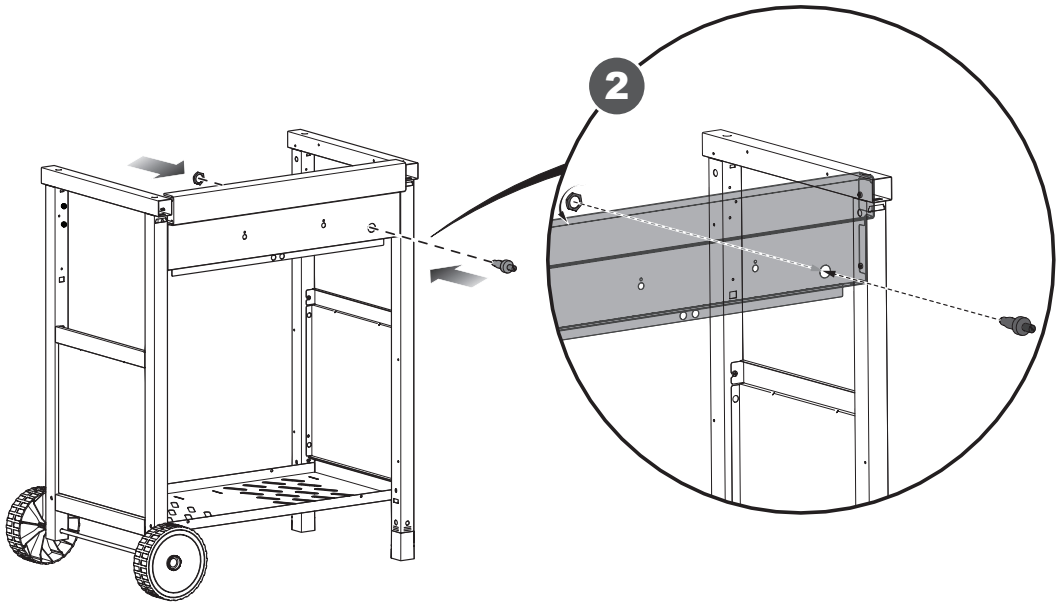
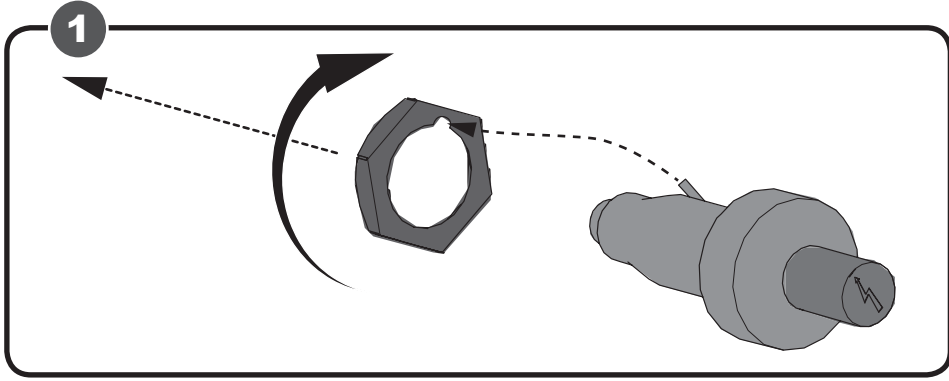


06

E

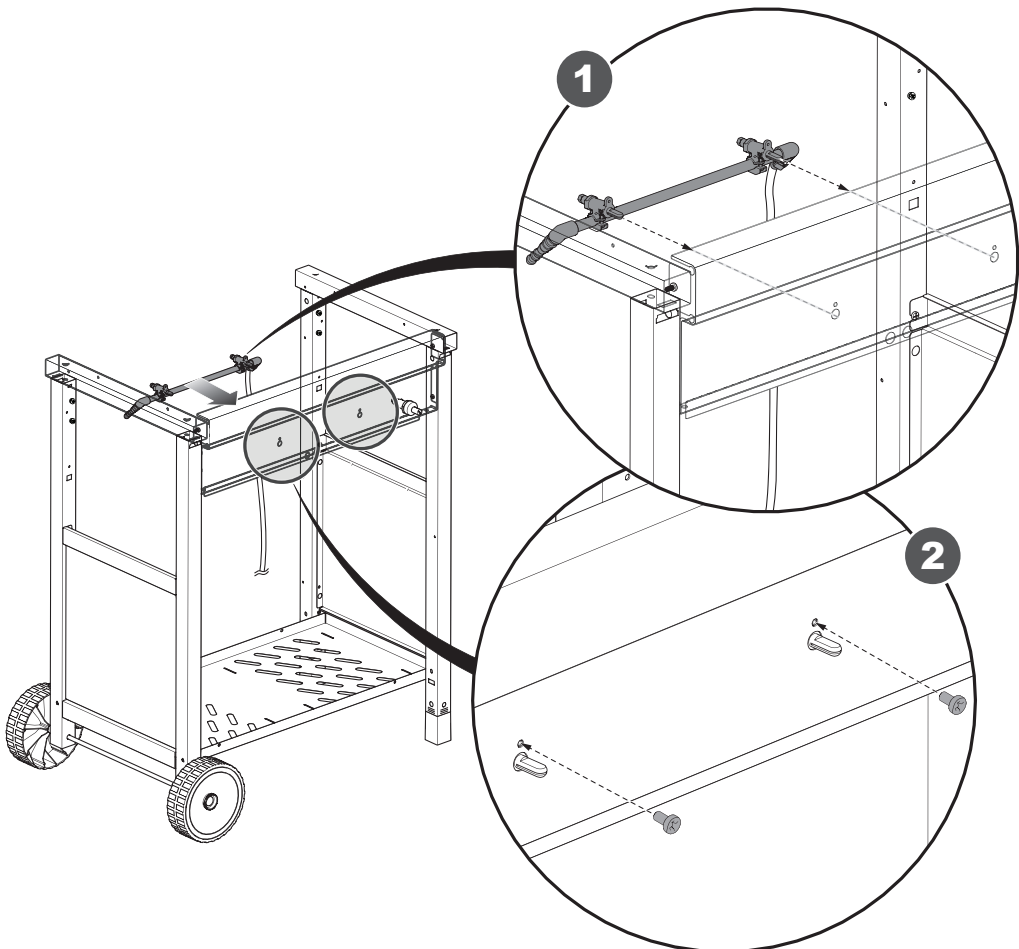


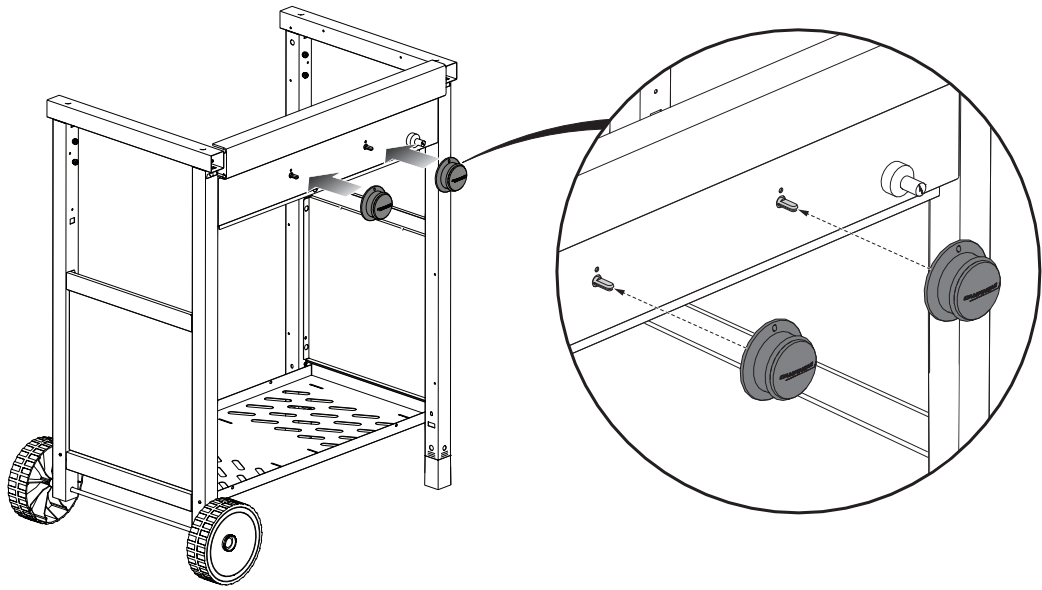
X 1



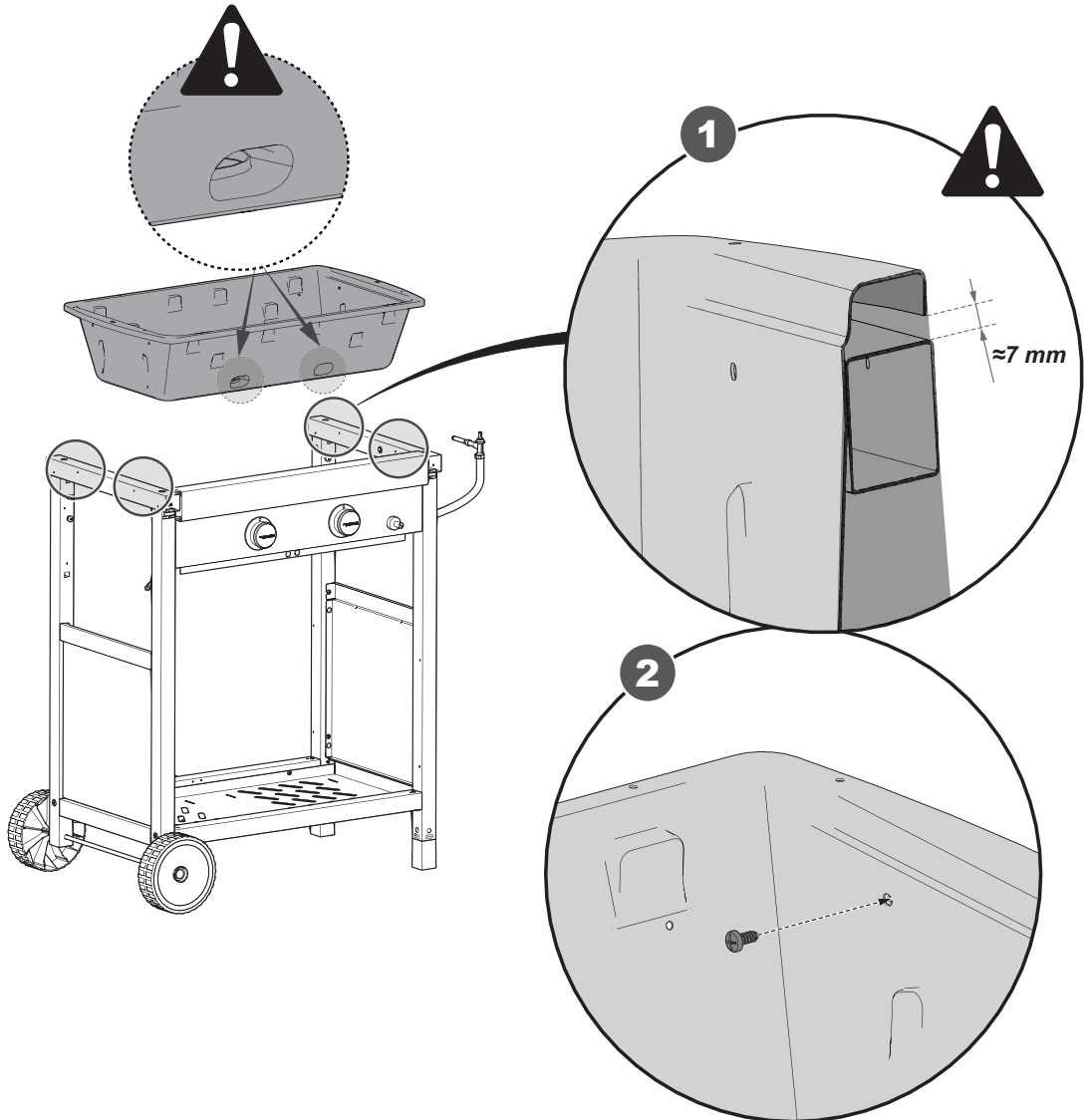
C

d X 2



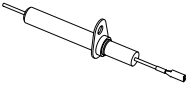


07

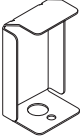


08

A

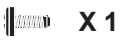


X 1



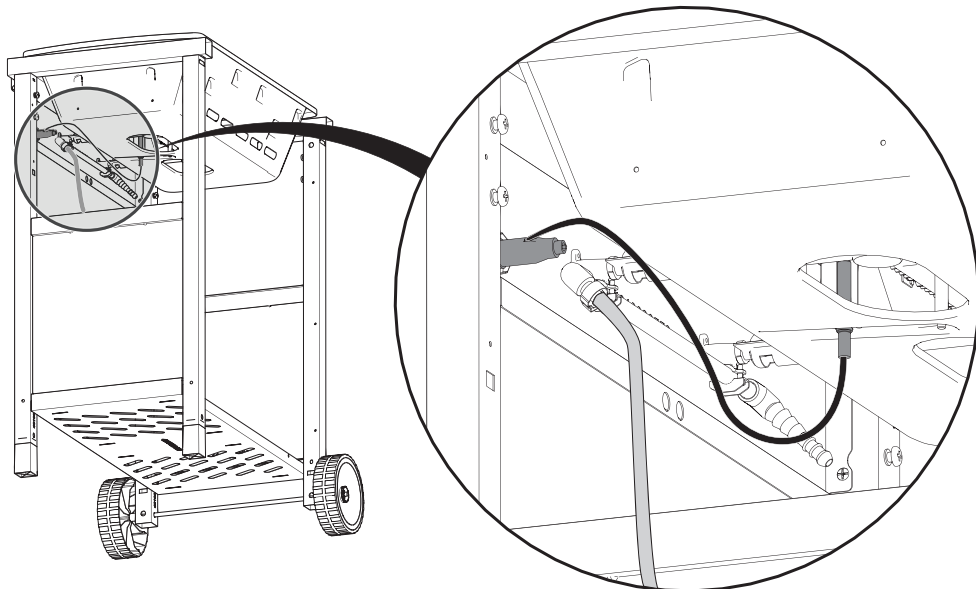
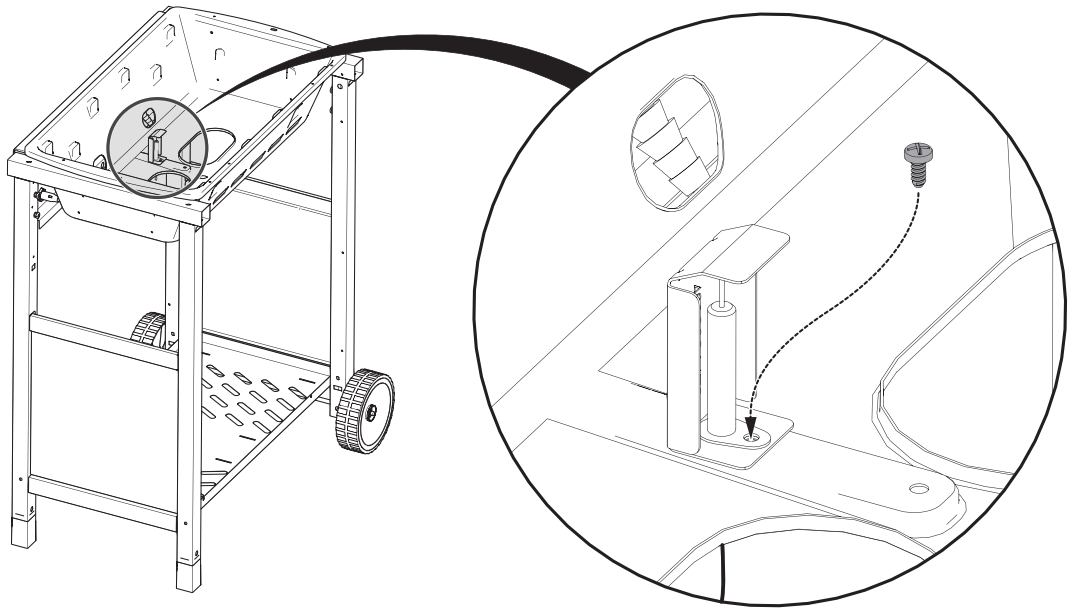
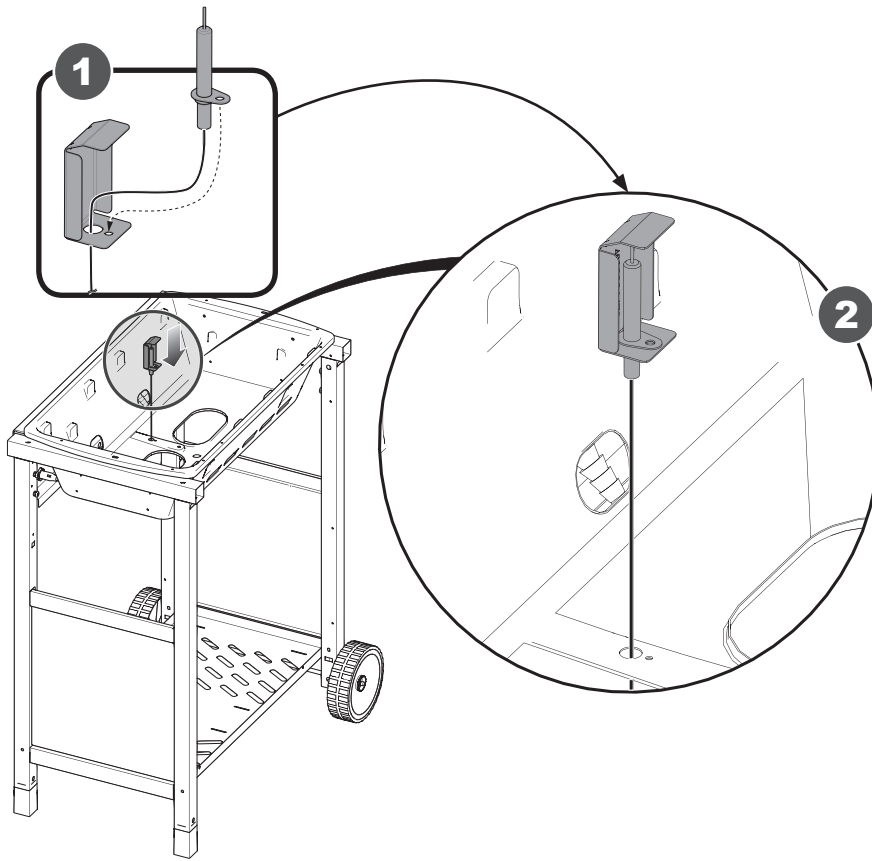
X 1

C

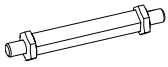


X 1

b



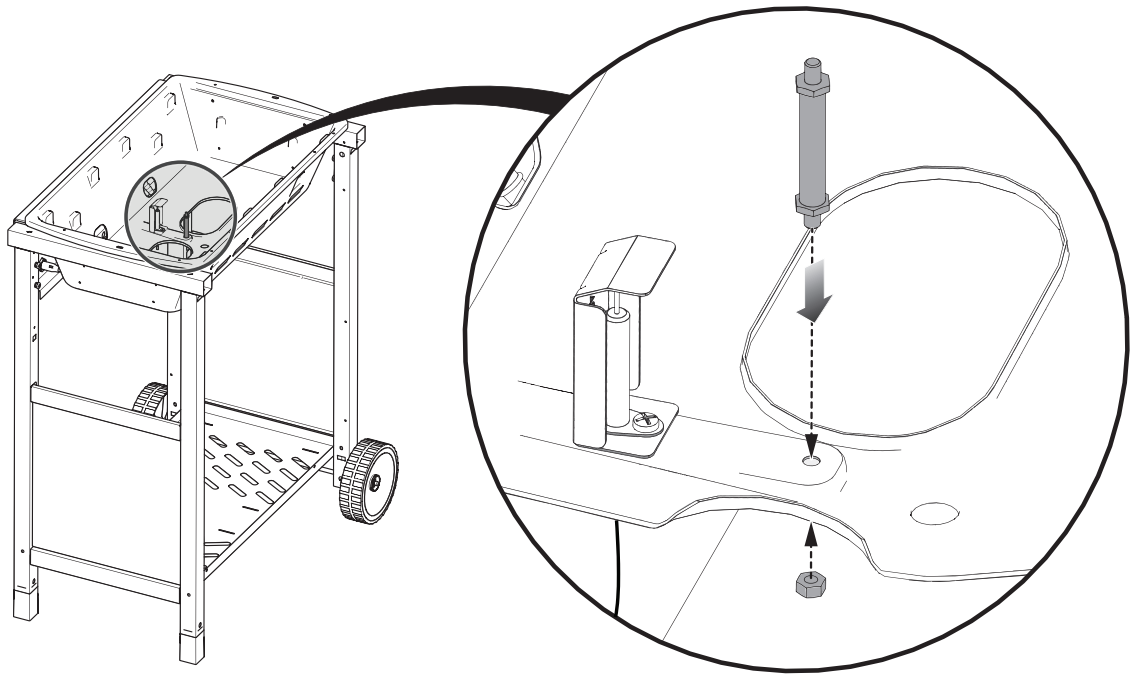
09



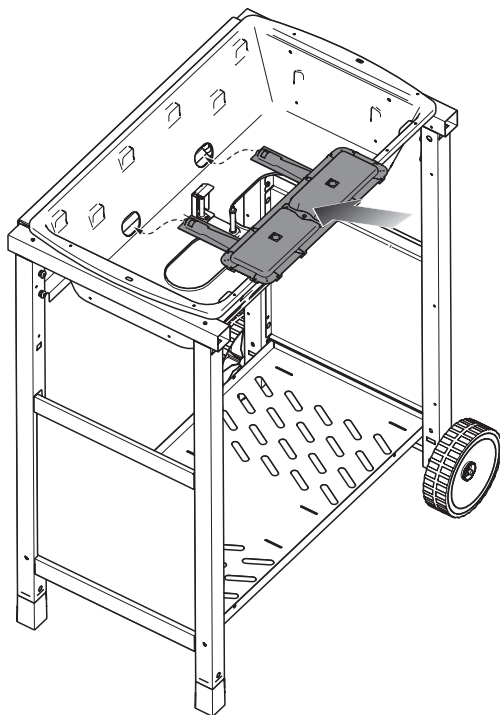
X 1

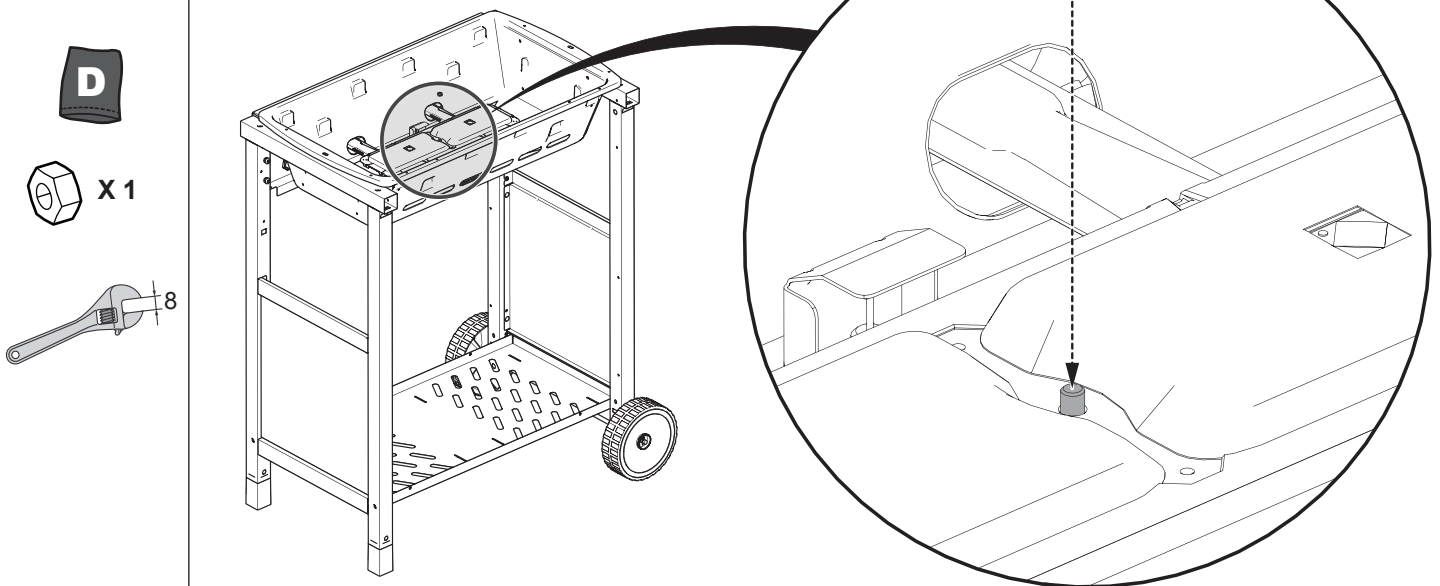
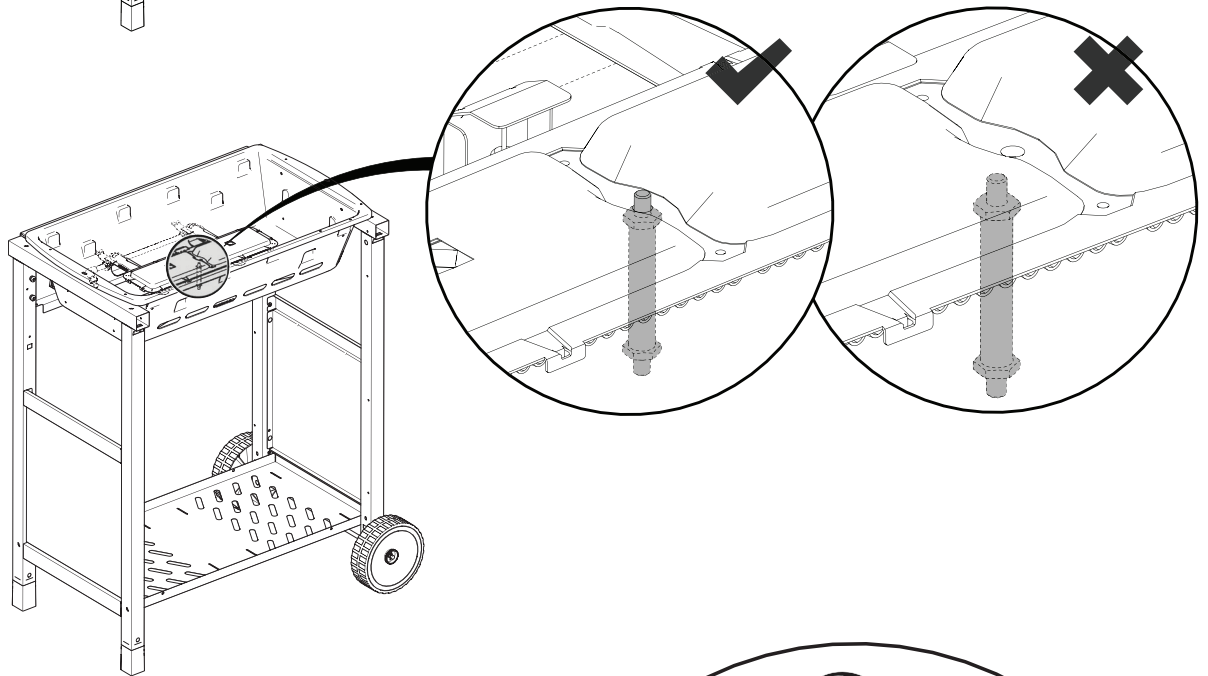
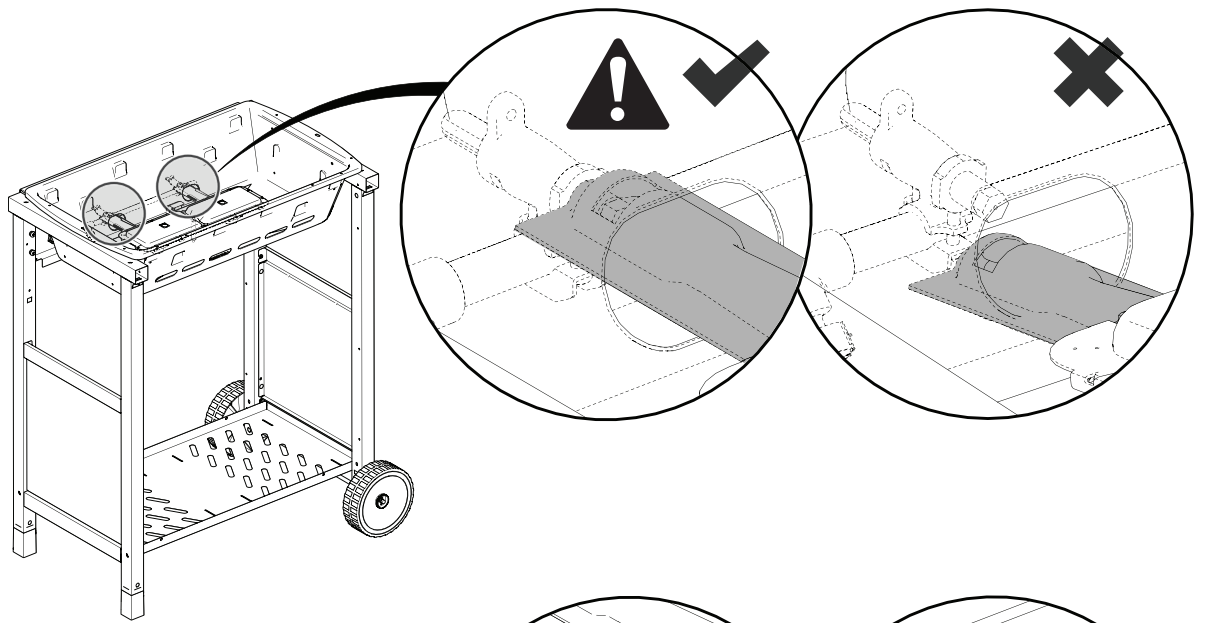


X 1



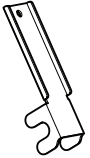
10





11

A



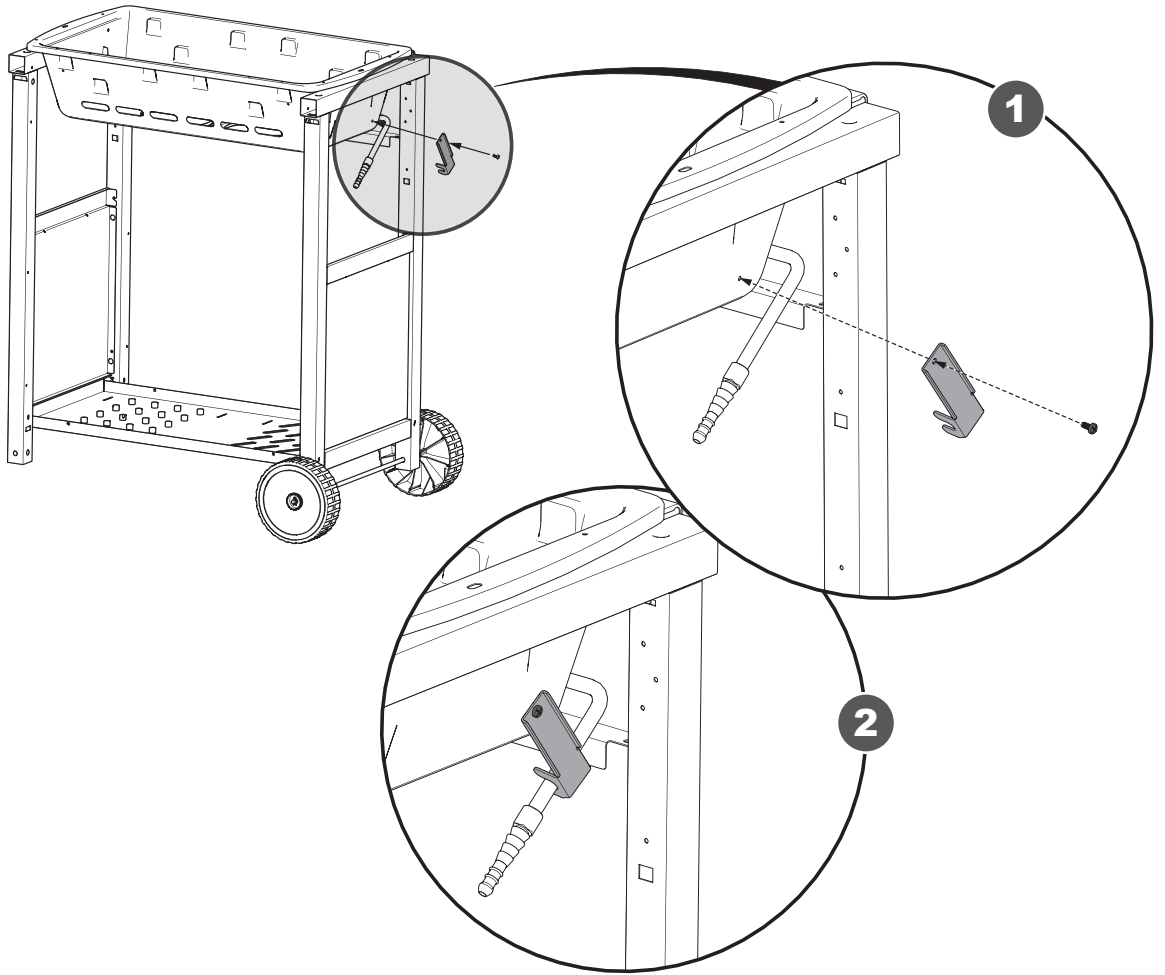
X 1

C



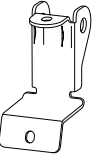
X 1

b



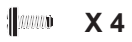
12

A



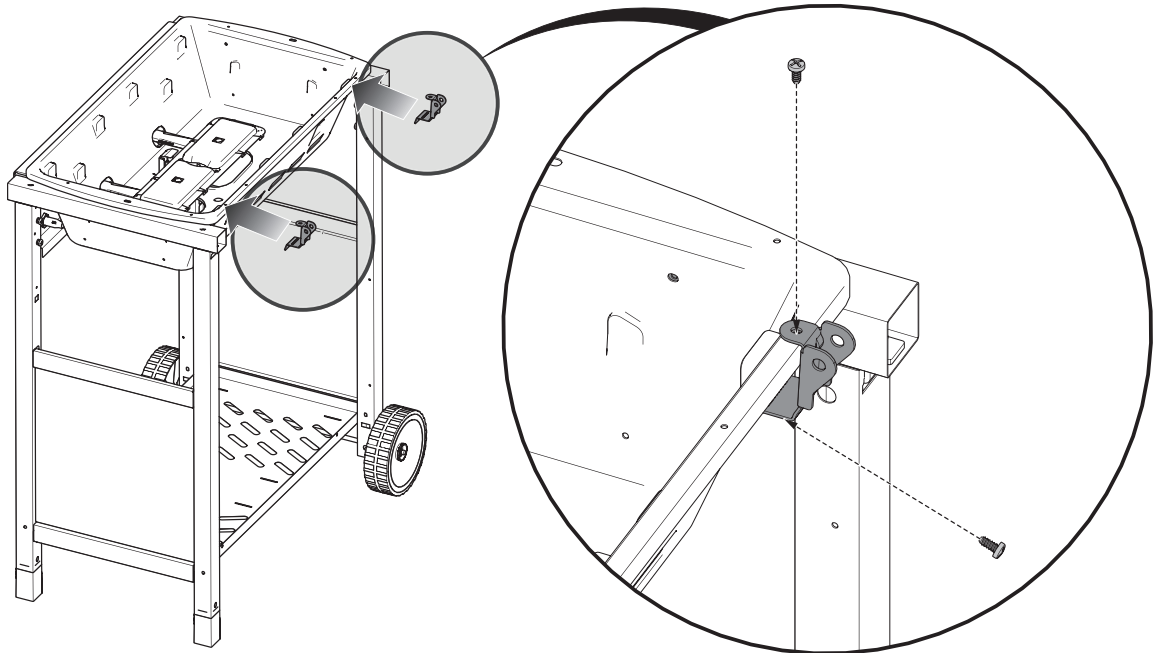
X 2

C



X 4

b

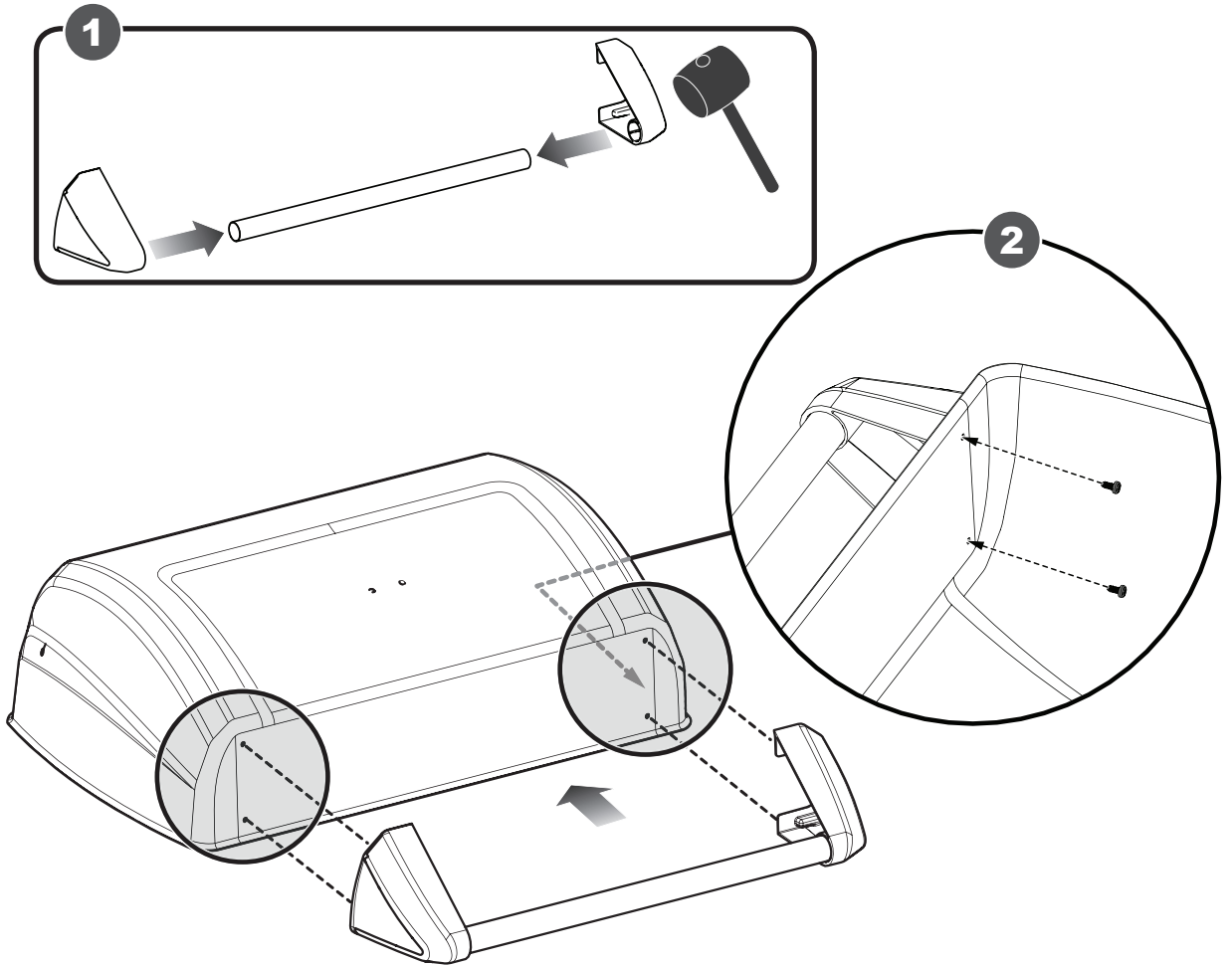


13

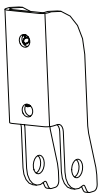


 X 4

m



14

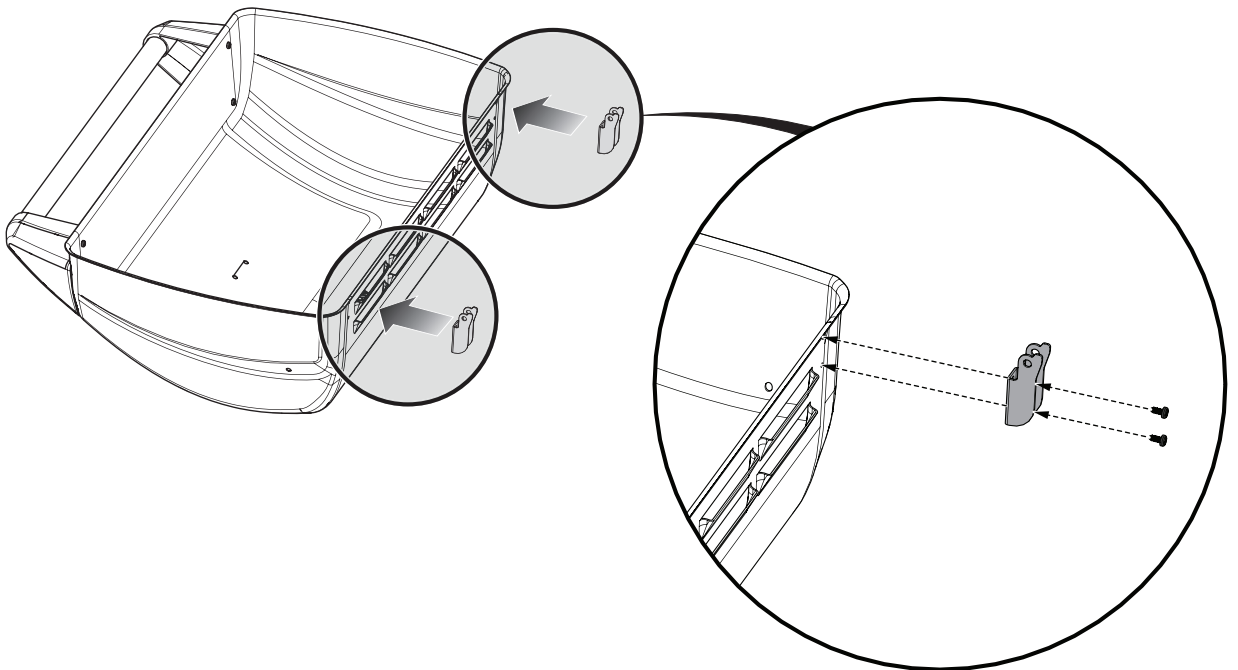


X 2

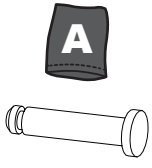


 X 4

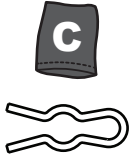
b



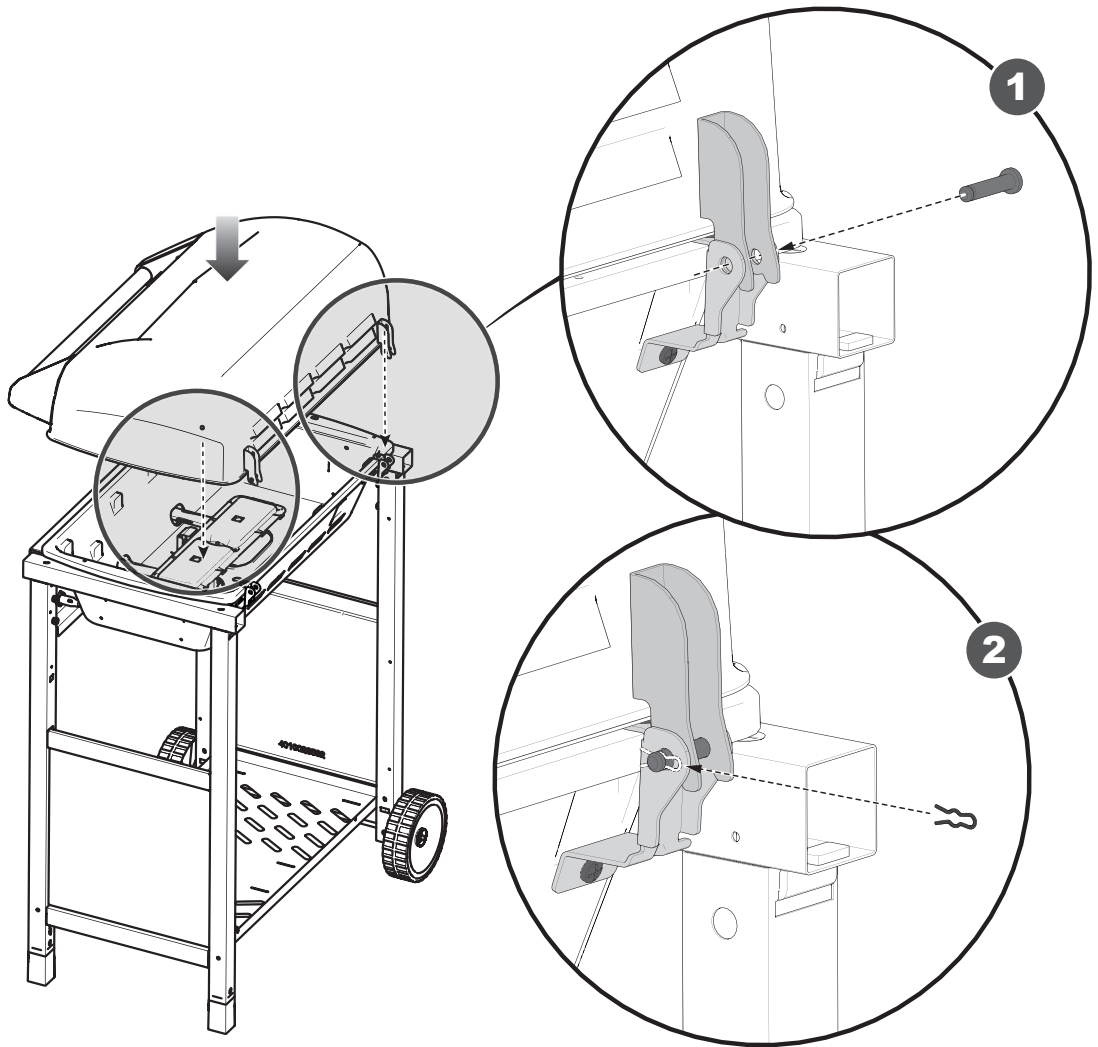
15



X 2



X 2



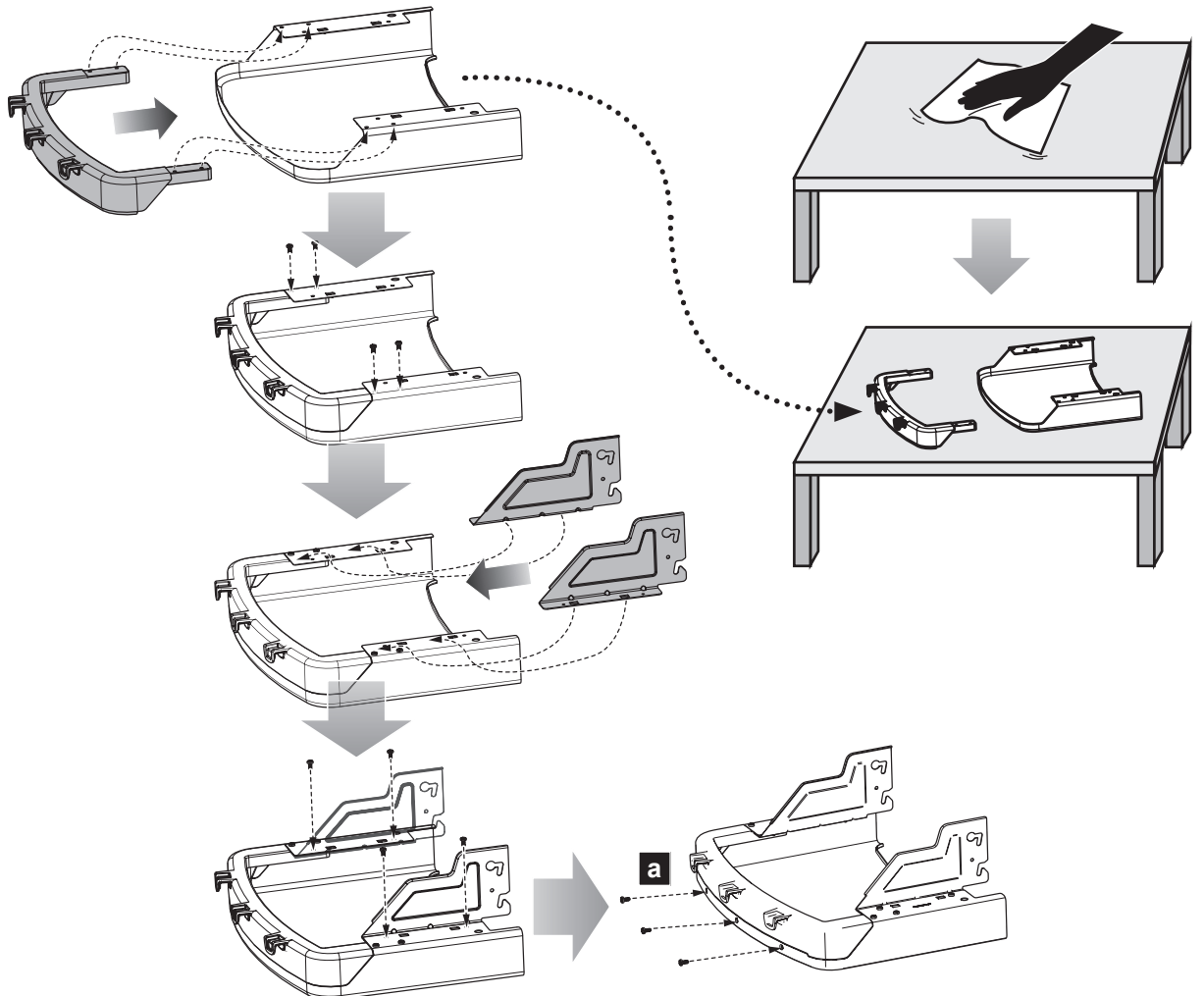
16



X 8



X 3





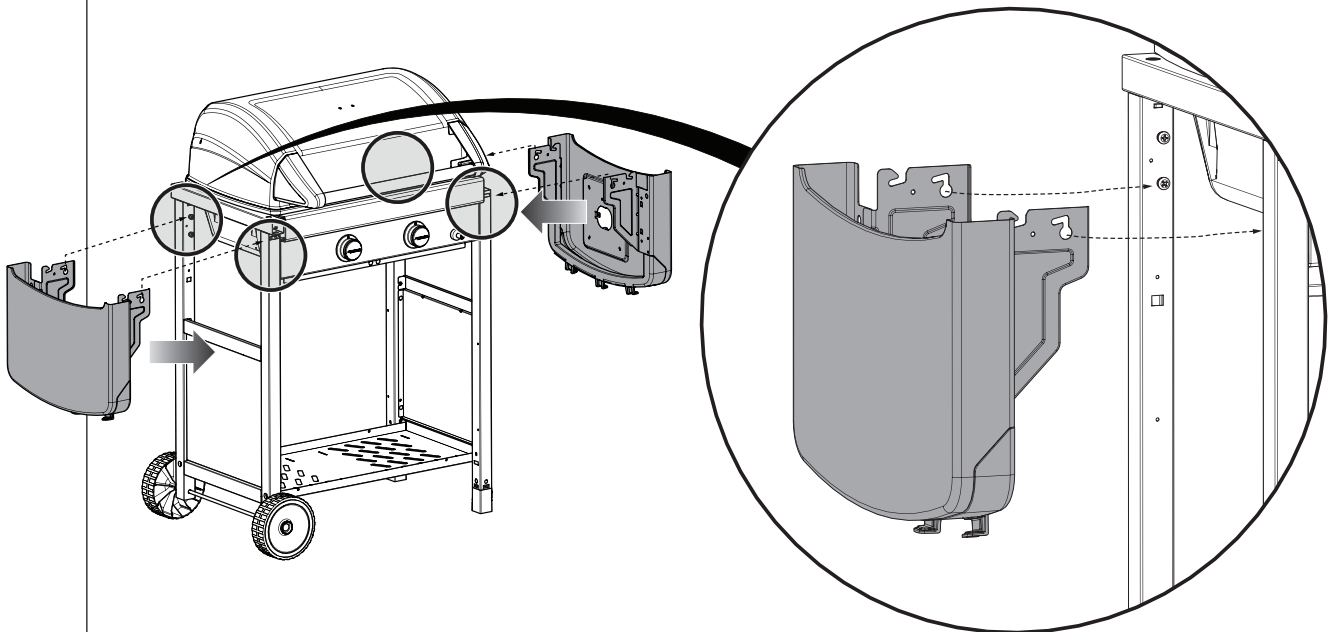
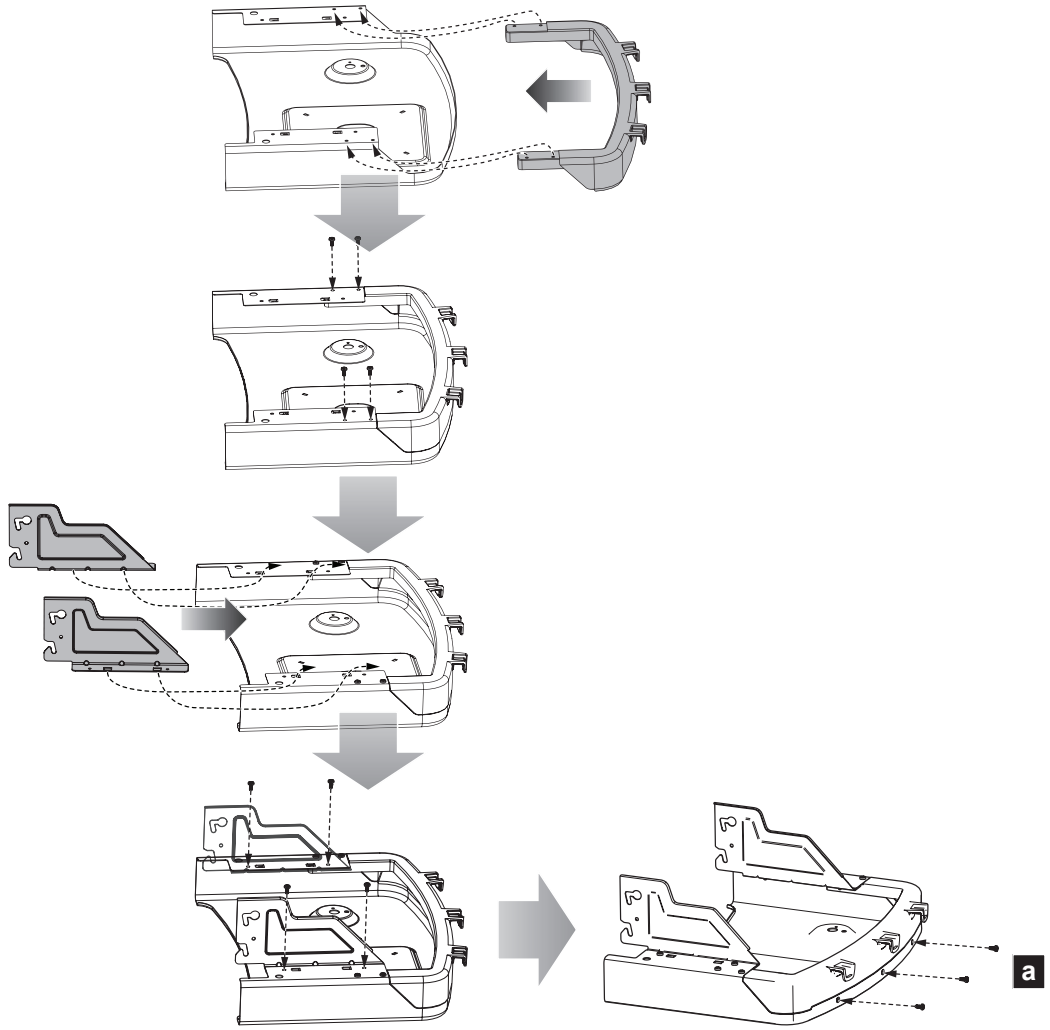
 X 8

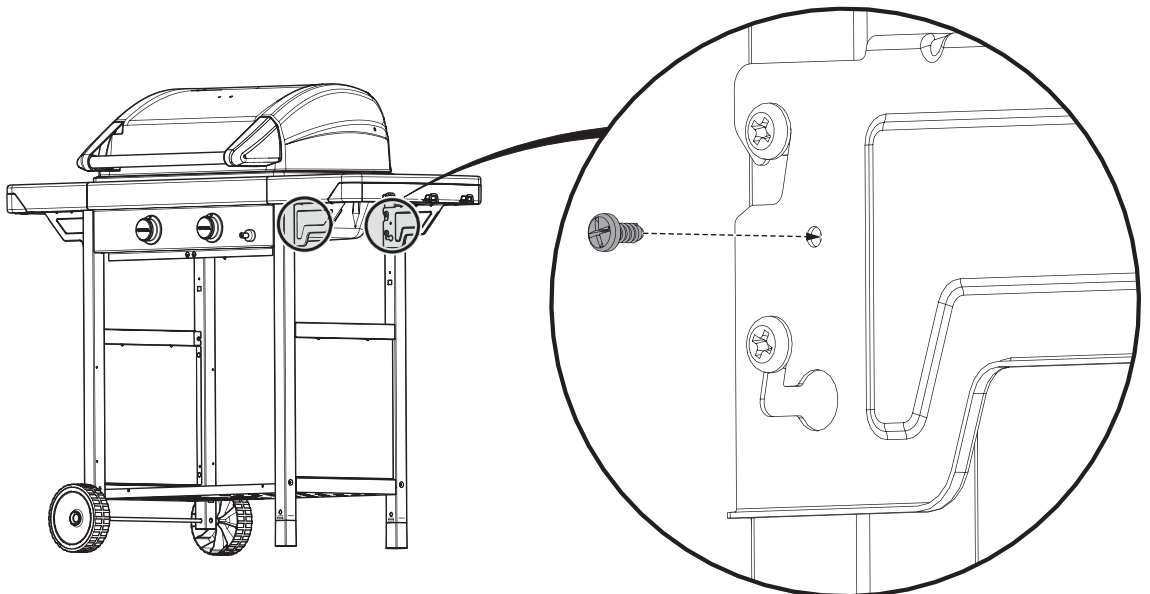
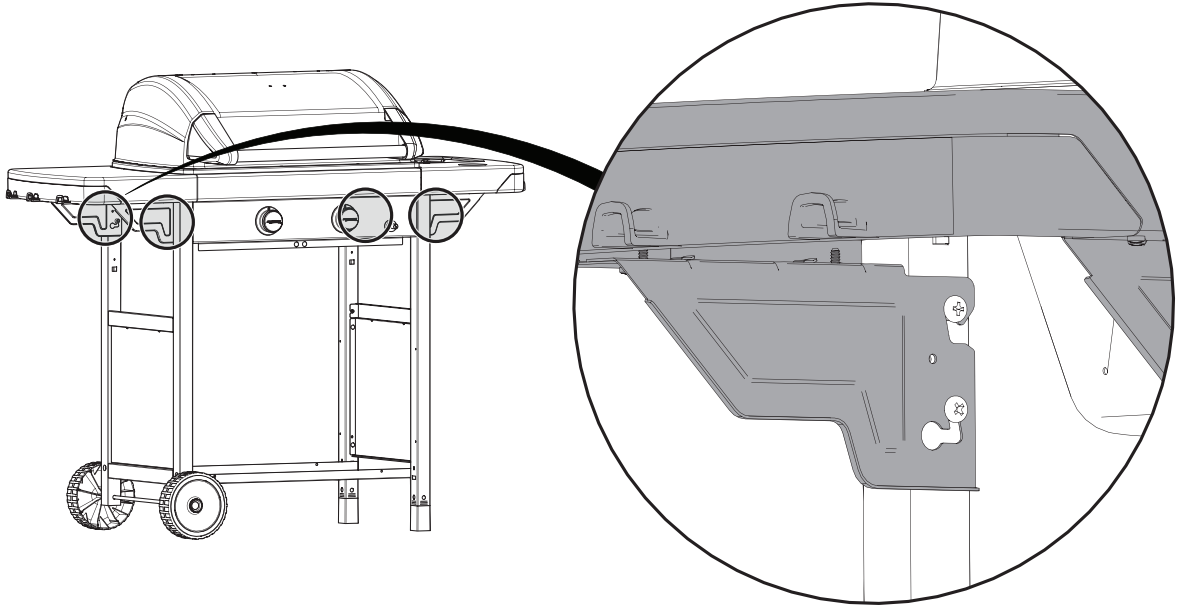
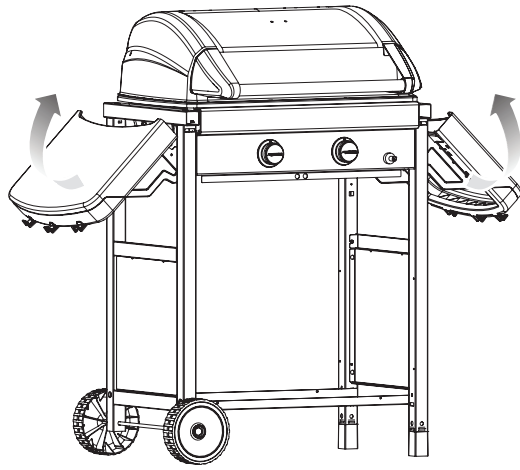
b



 X 3

a



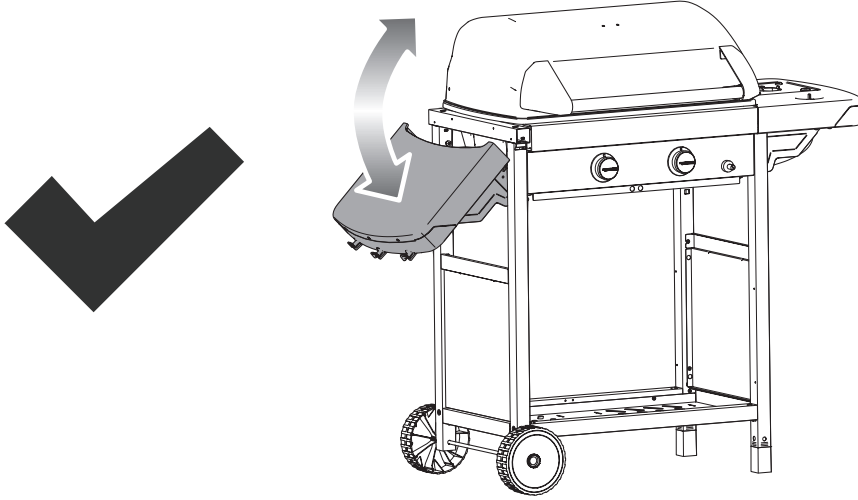


C

 X 2

b

OPTION 1

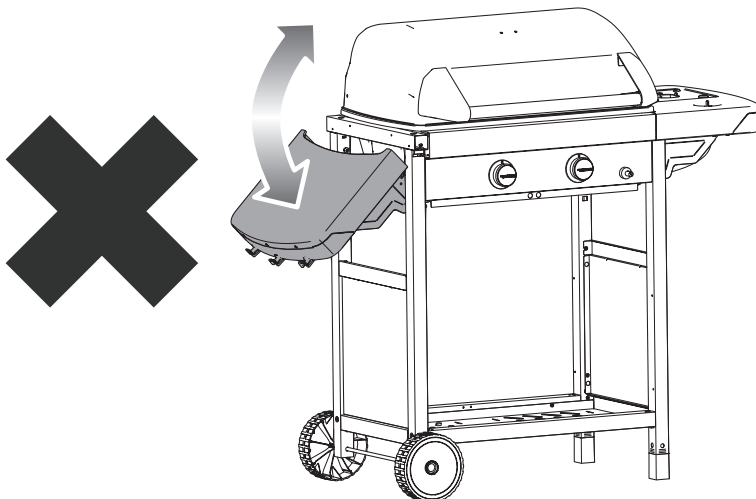
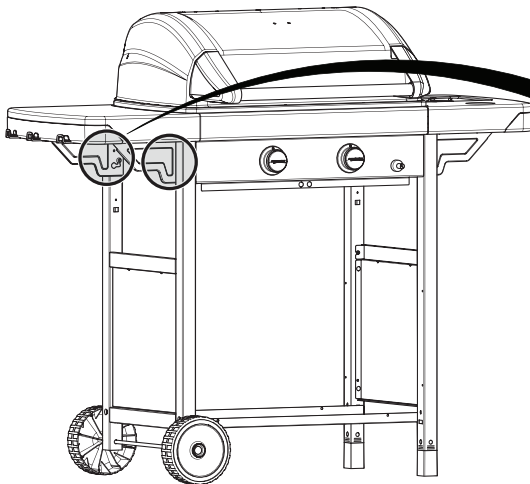


OPTION 2

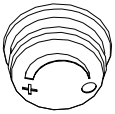
C

X 2

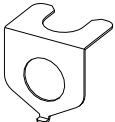
b



17



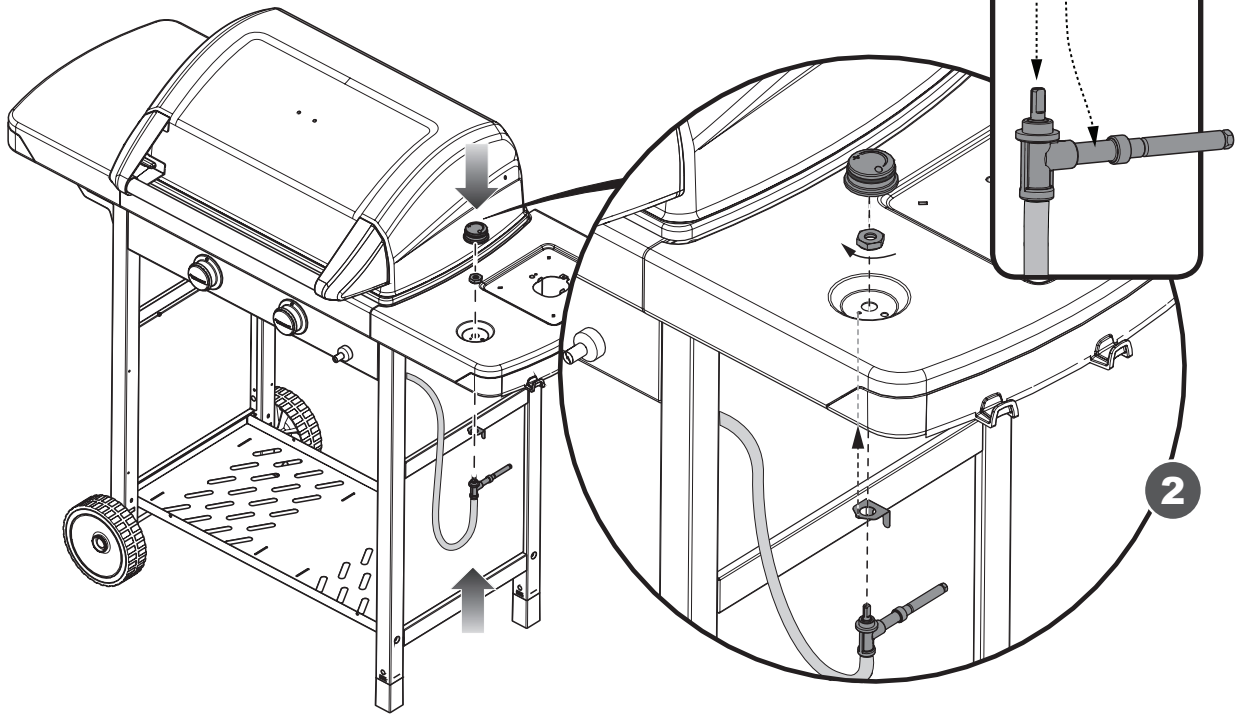
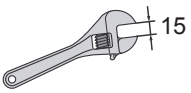
X1



X1



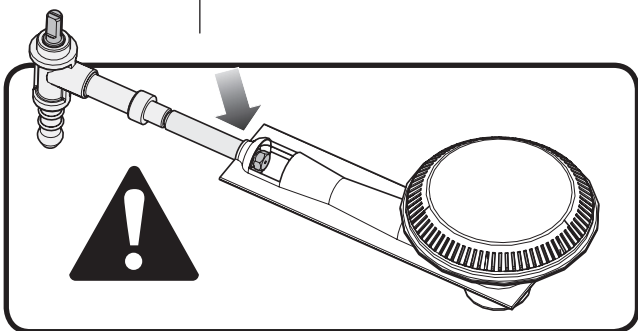
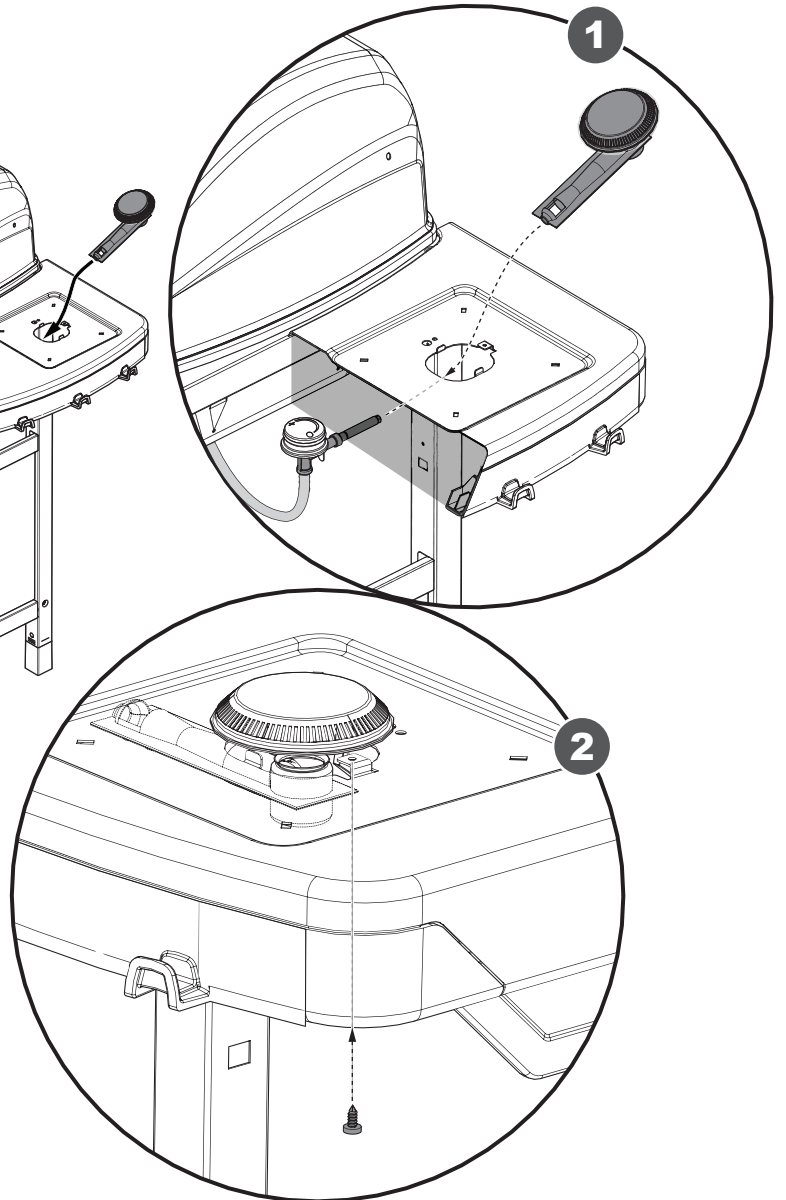
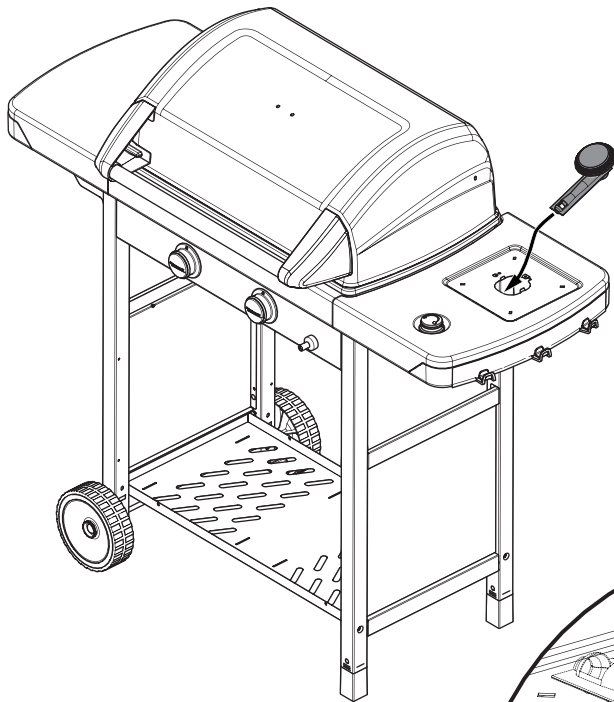
X1



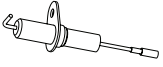
18



X1



E



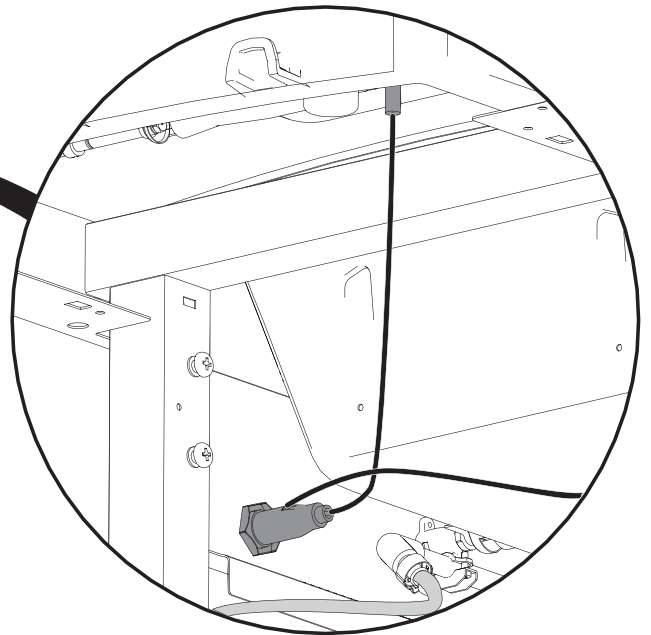
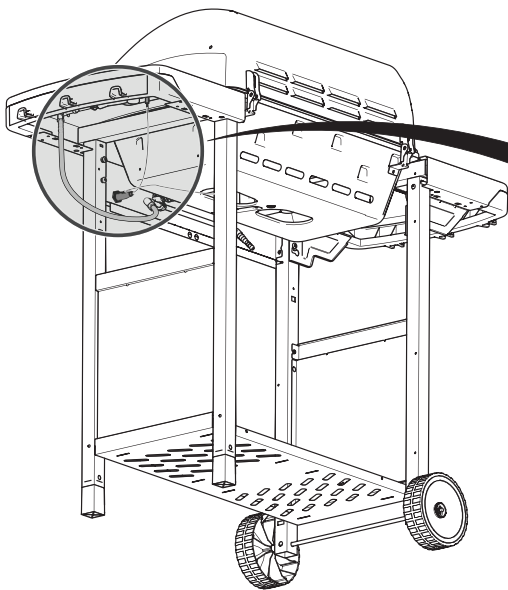
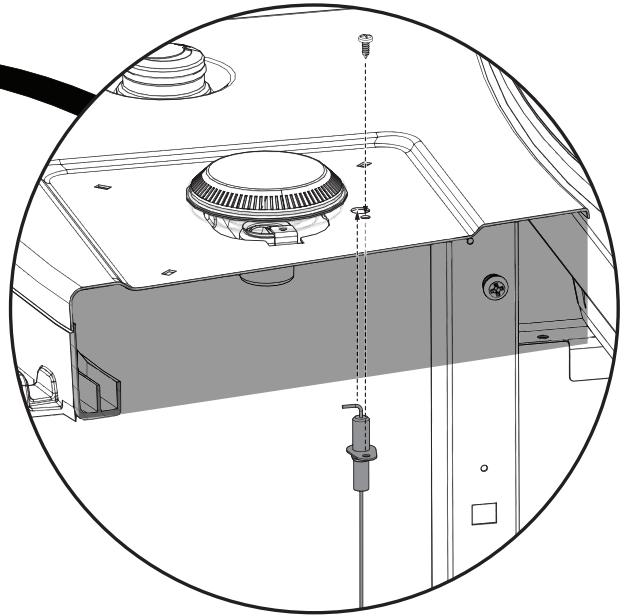
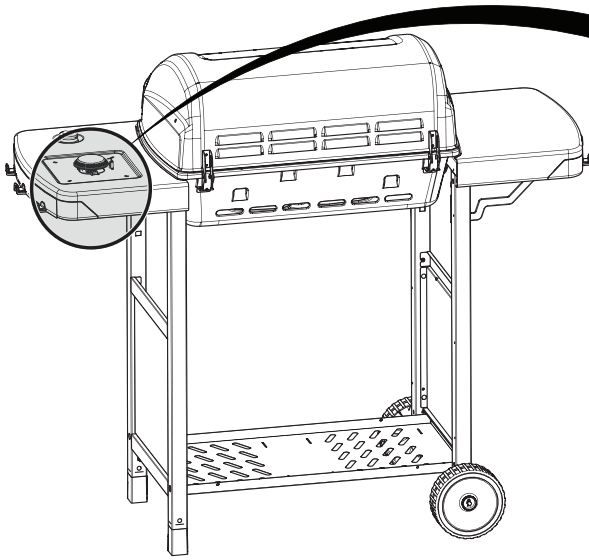
X 1

C

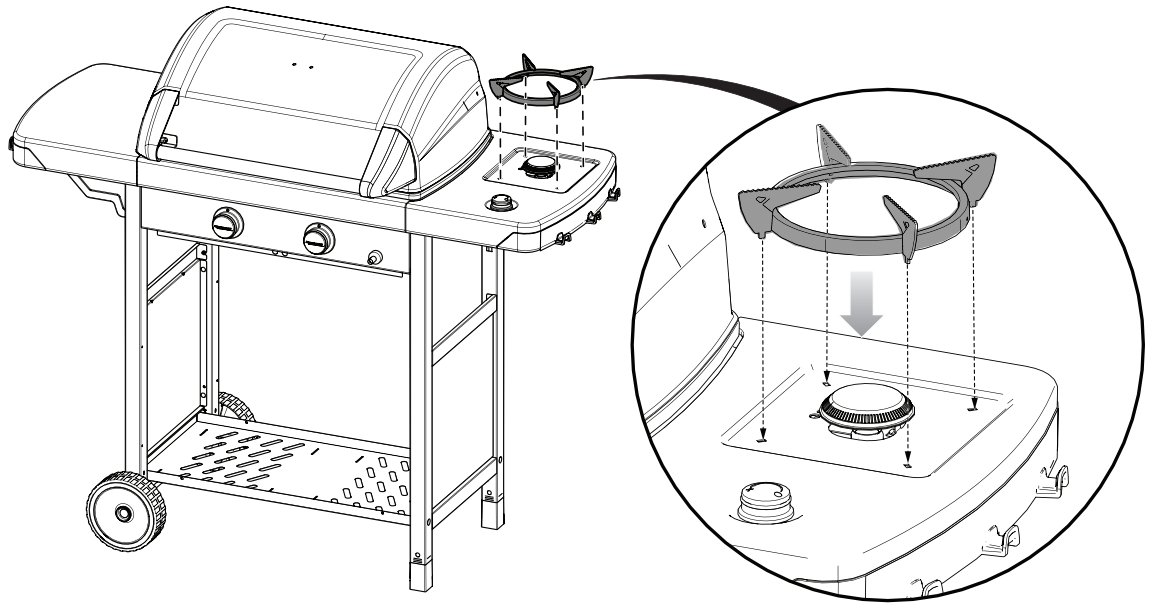


X 1


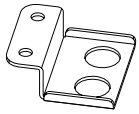

b

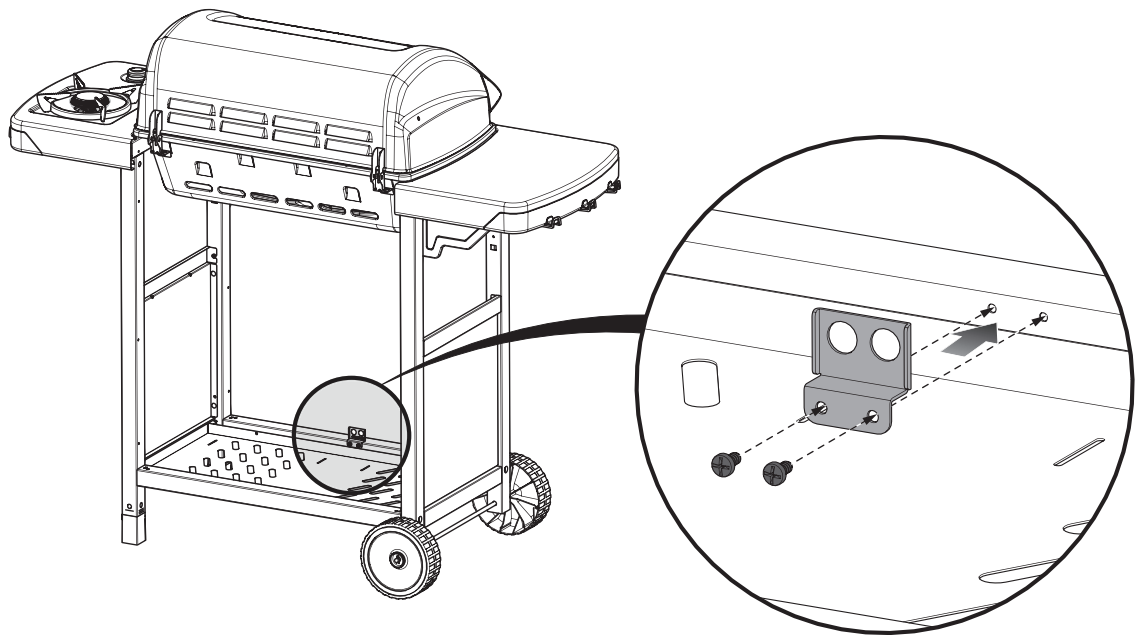


20



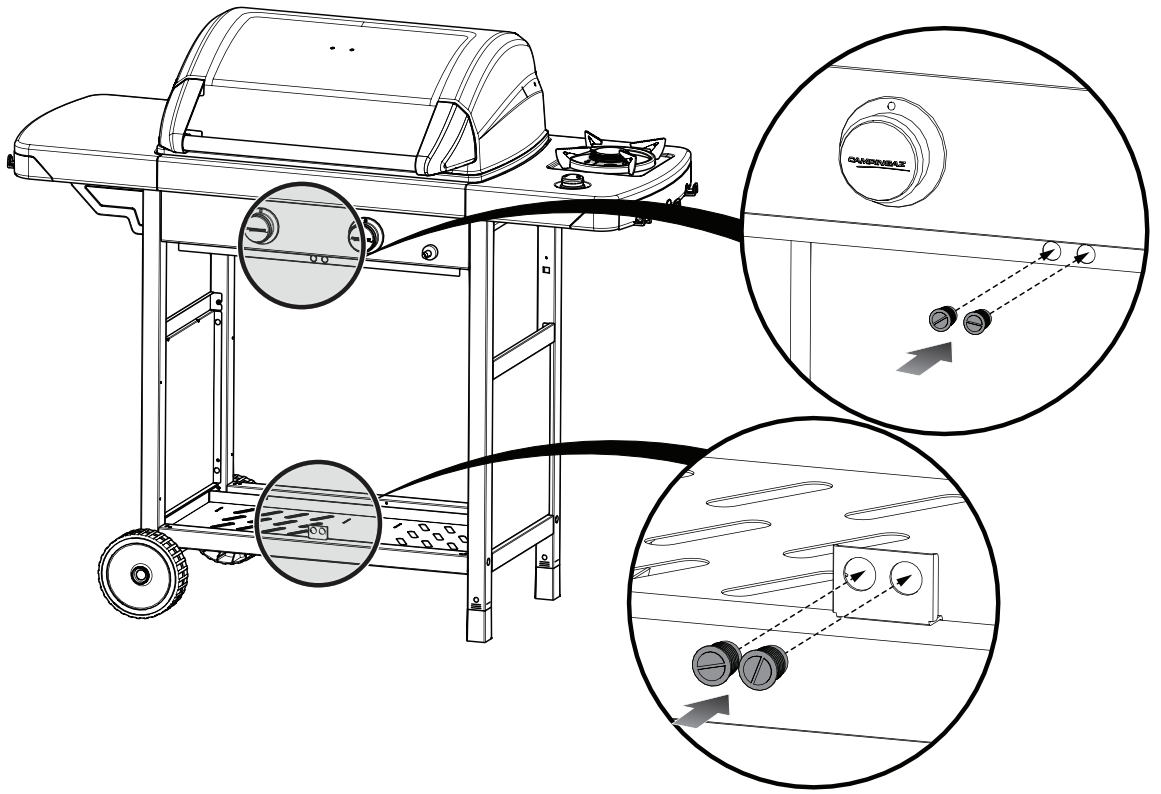
21

-  **D**
-  **C**
- X 1**
-  **b**
- X 2**



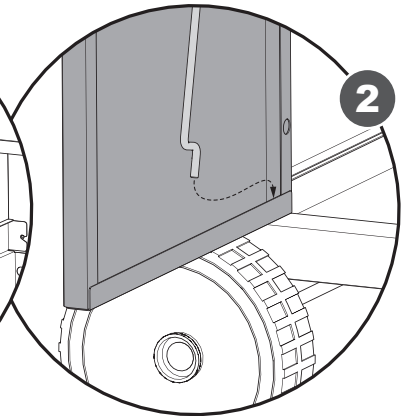
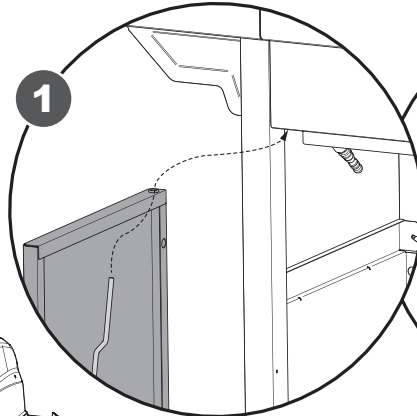
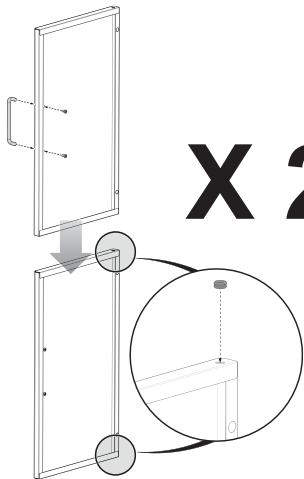


X 4



22

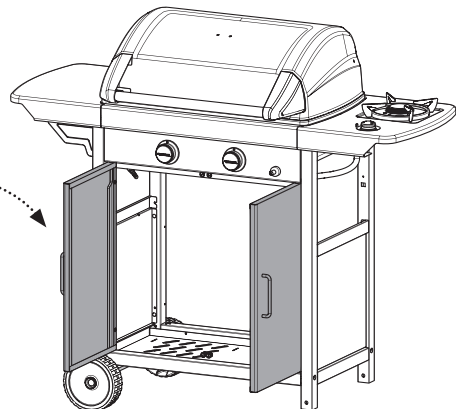
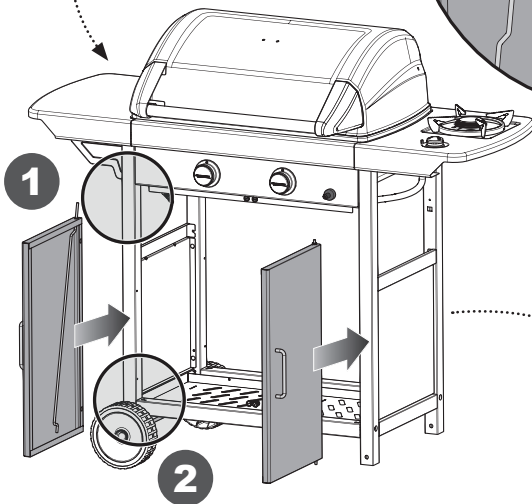
X 2



X 4

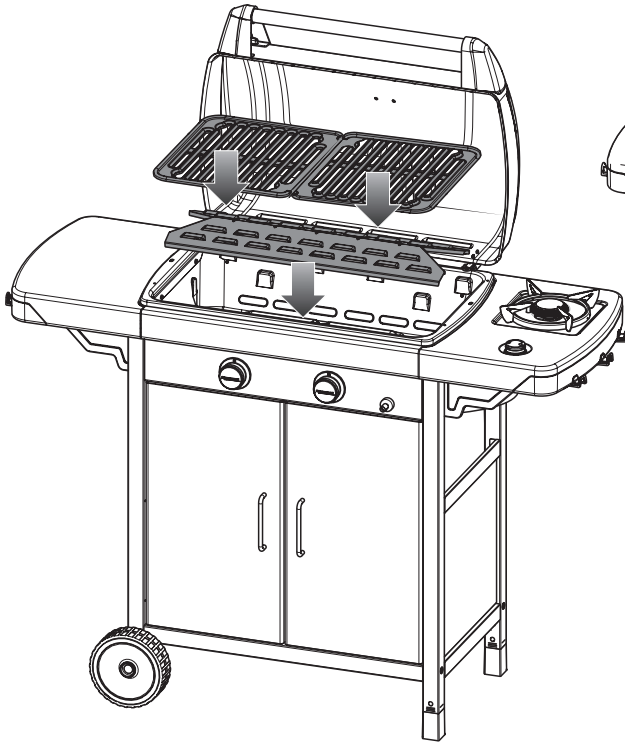


X 4

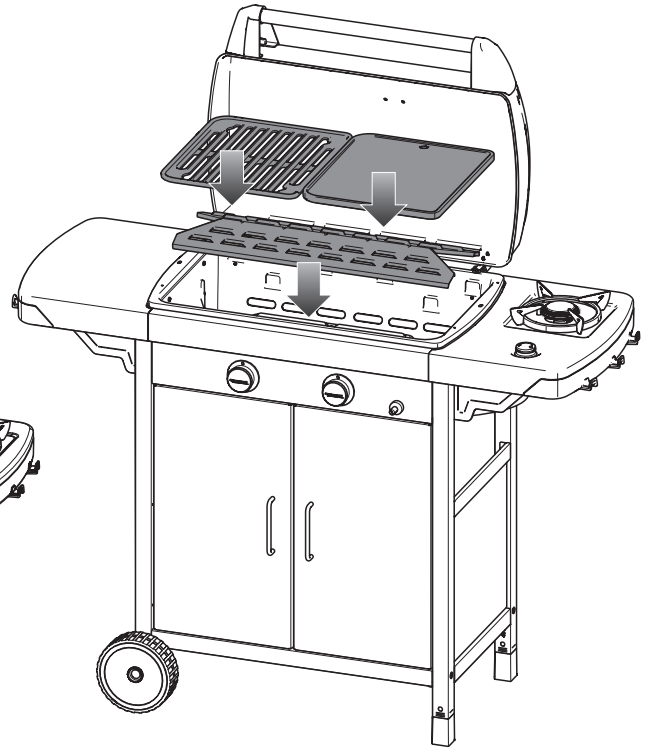


23

2 Classic EXS



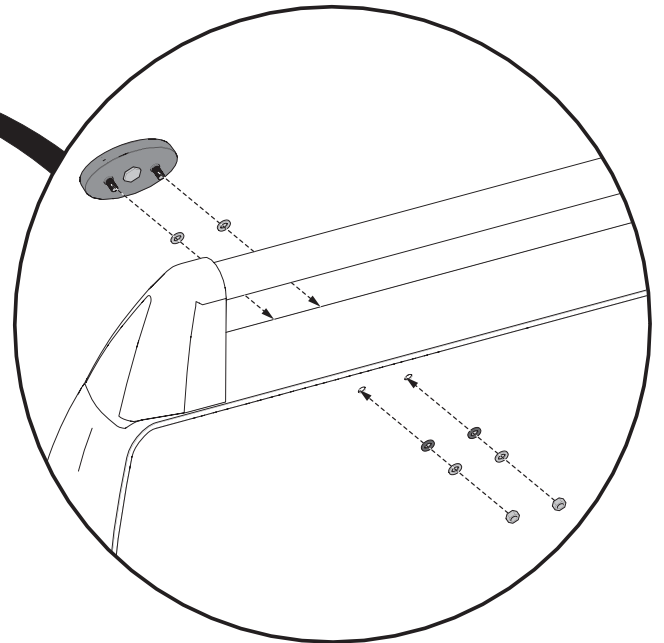
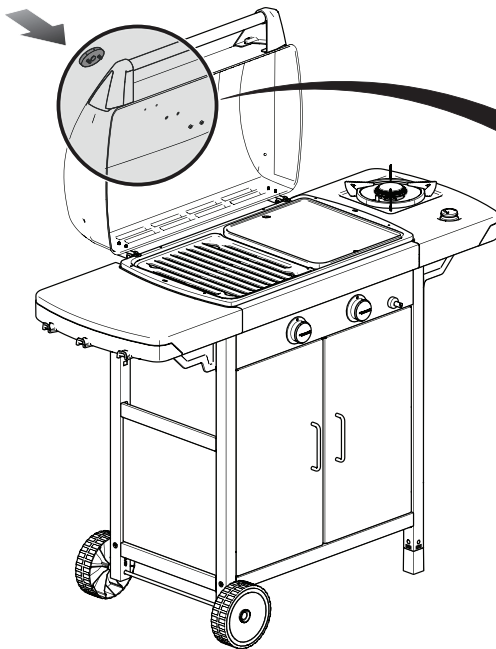
2 Classic EXS Vario



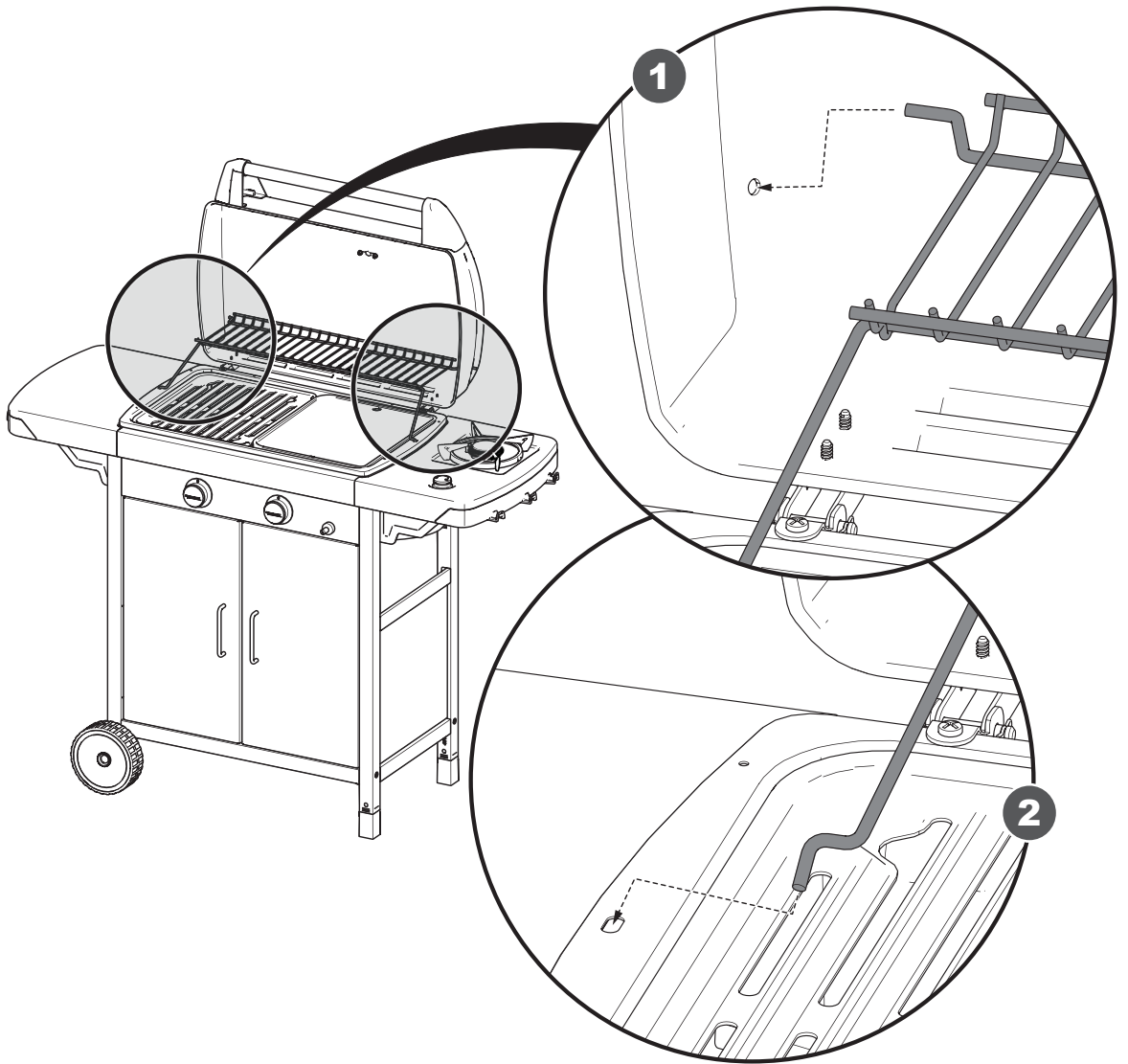
24



X1



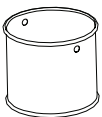
25



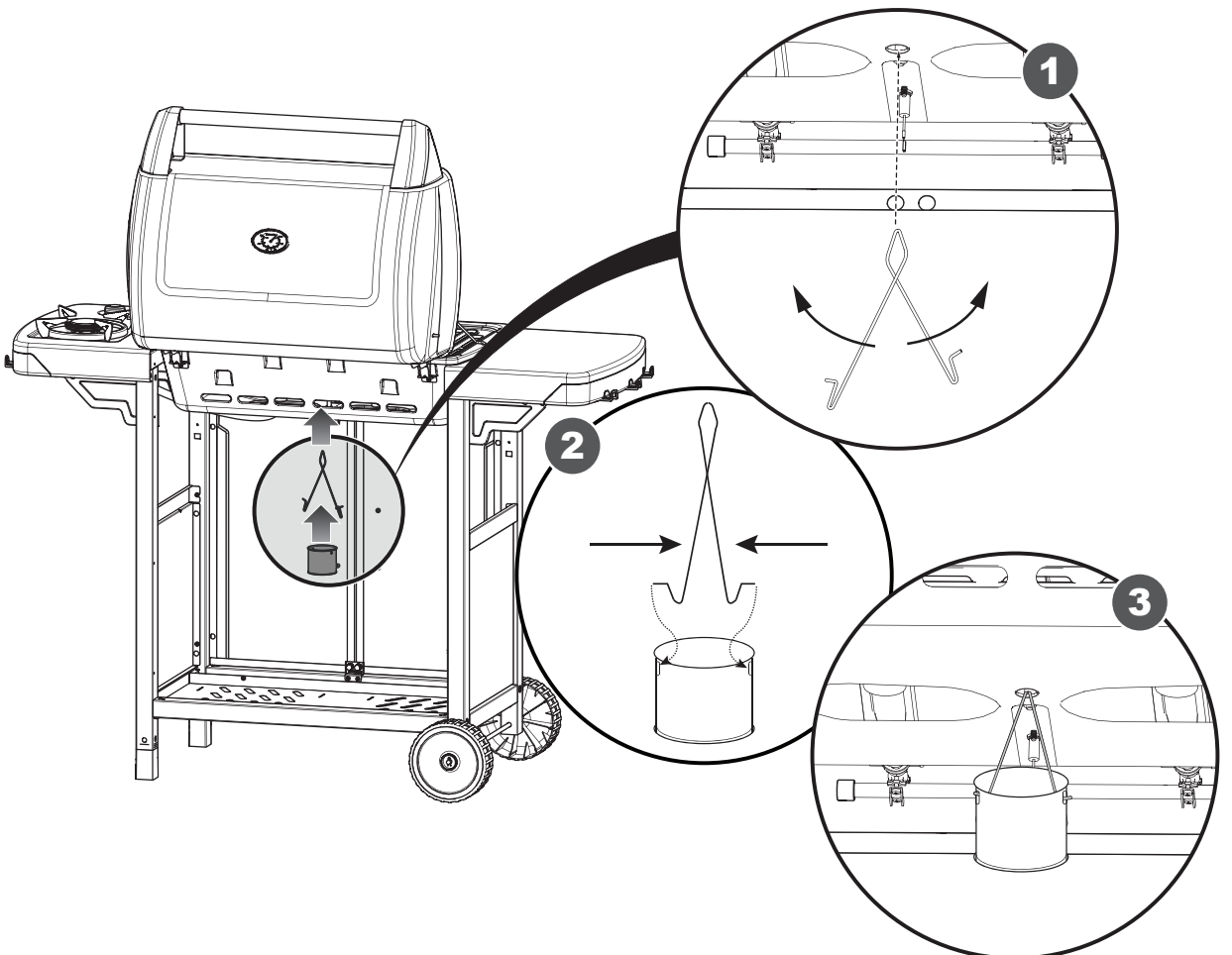
26



X 1



X 1



NOTES

NOTES

