



# User manual

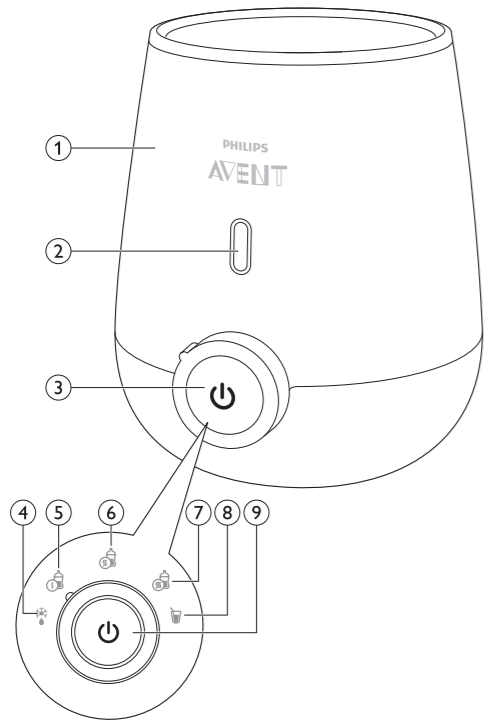


Specifications are subject to change without notice  
© 2016 Koninklijke Philips N.V.  
All rights reserved

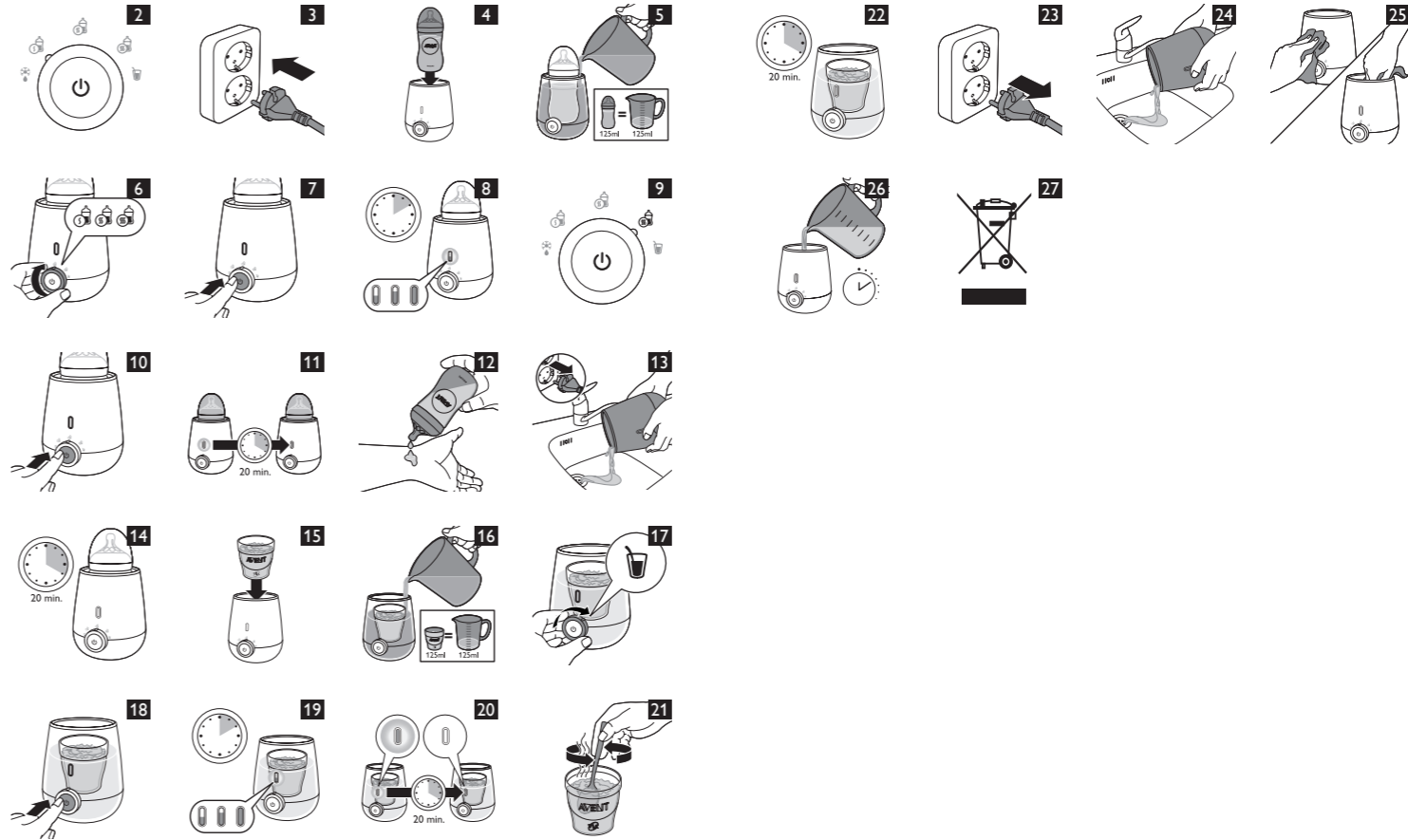


Always here to help you  
Register your product and get support at  
[www.philips.com/welcome](http://www.philips.com/welcome)





1



**SCF356**

**ENGLISH 6**  
**БЪЛГАРСКИ 20**  
**ČEŠTINA 35**  
**EESTI 49**  
**MAGYAR 63**  
**ҚАЗАҚША 78**  
**POLSKI 92**  
**РУССКИЙ 108**

### General description (Fig. 1)

1. Baby bottle warmer
2. Progress indicator
3. Settings and on/off knob
4. Defrost setting
5. Milk warming setting 1
6. Milk warming setting 2
7. Milk warming setting 3
8. Baby food warming setting
9. On/off button

### Important

To fully benefit from the support that Philips offers, register your appliance at [www.philips.com/welcome](http://www.philips.com/welcome).

Read this user manual carefully before you use the baby bottle warmer and save it for future reference.

#### **Danger**

- Never immerse the appliance in water or any other liquid, nor rinse it under the tap.

#### **Warning**

- Only use the appliance indoors.
- This appliances can be used by persons with reduced physical, sensory or mental capabilities or lack of experience and knowledge if they have been given supervision or instruction concerning use of the appliance in a safe way and understand the hazards involved.

- Cleaning and user maintenance shall not be made by children.
- This appliance shall not be used by children. Keep the appliance and its cord out of reach of children.
- Children shall not play with the appliance.
- Do not immerse the cord, plug or appliance in water or any other liquid.
- Do not let the mains cord hang over the edge of a table or worktop. Excess cord can be stored in the base of the baby bottle warmer to ensure stability of the appliance.
- Keep the mains cord away from hot surfaces.
- Only connect the appliance to an earthed wall socket. Always make sure that the plug is inserted into the wall socket properly.
- Check if the voltage indicated on the bottom of the appliance corresponds to the local mains voltage before you connect the appliance.
- If you need to use an extension cord, make sure it is an earthed extension cord with a rating of at least 13 amperes.

## 8 ENGLISH

- Do not use the appliance if the plug, the mains cord or the appliance itself is damaged. If the mains cord is damaged, you must have it replaced by Philips, a service centre authorised by Philips or similarly qualified persons in order to avoid a hazard.
- Do not place the appliance on or near a hot gas or electric cooker, or in a heated oven.
- Do not preheat the appliance.
- Always place a fully assembled bottle with cap in the baby bottle warmer before you add water.
- Make sure you add water before you switch on the baby bottle warmer.
- Hot water can cause serious burns. Be careful when the baby bottle warmer contains hot water.
- The accessible surfaces of the appliance may become hot during use.
- Do not move the appliance when it contains hot water.
- Always check the baby food temperature before you feed your child.

## Caution

- This appliance is intended to be used in household and similar applications such as farm houses, bed and breakfast type environments, staff kitchen areas in shops, offices and other working environments, and by clients in hotels, motels and other residential type environments.
- Unplug the appliance when it is not in use.
- Store any excess mains cord in the base to ensure stability of the baby bottle warmer.
- Let the appliance cool down before you clean it.
- Follow the descaling instructions to avoid irreparable damage.
- Do not try to open or repair the appliance yourself. You can contact the Philips Consumer Care Centre in your country (see **[www.philips.com/support](http://www.philips.com/support)**).
- The food should not be heated for too long.
- Only use the appliance as described in the user manual to avoid potential injury due to misuse.

## 10 ENGLISH

- The surface of the heating element is subject to residual heat after use.

### **Electromagnetic fields (EMF)**

This Philips appliance complies with all applicable standards and regulations regarding exposure to electromagnetic fields.

### **Using the baby bottle warmer**

With this baby bottle warmer, you can safely warm and defrost milk in Philips Avent feeding bottles and milk or baby food in containers.

The baby bottle warmer helps to preserve the valuable nutrients and vitamins in breast milk because it never overheats the milk. If milk becomes too warm, nutrients and vitamins are damaged. To help preserve the quality of your breast milk, it is important to heat the milk in a safe and controlled way. The baby bottle warmer is designed to warm gently and evenly and to avoid hot spots, as the milk circulates during warming. The built-in sensor tracks and controls the milk temperature, to avoid overheating at all times.

**Note:** *Philips Avent breast milk bags and Philips Avent 2oz/60ml bottles cannot be used in this baby bottle warmer.*

### **Explanation of settings**

---

- You can choose between the following settings: (Fig. 2)
- Defrost setting: To defrost a bottle or container with frozen milk or frozen baby food. No warming occurs.
- Milk warming settings: Select one of these settings when you want to warm a bottle of milk to a safe temperature. Setting 2 warms your milk to approximately body temperature. Setting 1 warms your milk to a slightly lower temperature and setting 3 warms your milk to a slightly higher temperature.



- Baby food warming setting: Select this setting when you want to warm a container or jar with baby food.

### Using the baby bottle warmer to warm milk

---

- 1** Put the mains plug in the wall socket (Fig. 3).
- 2** Place a bottle centrally in the baby bottle warmer (Fig. 4).

*Note: To warm milk in a milk storage container, follow the same steps as indicated for warming milk in a bottle.*

- 3** Fill the baby bottle warmer with the **same** amount of drinking water as the amount of milk you want to warm up (for example, to warm up 125ml/4oz of milk, you need to use 125ml/4oz of drinking water). If you want to heat up a large amount of milk (>180ml/6oz), the maximum water level is approximately 1cm/0.4 inches under the rim of the baby bottle warmer (which corresponds to adding 160ml/4.5oz of drinking water). An accurate water level ensures correct warming performance. (Fig. 5)

- 4** Select the desired setting (Fig. 6).

*Note: Experience teaches that babies may have a preference for a specific milk temperature. This can be due to personal preference or external factors (e.g. environment temperature). All three settings ensure that the milk is warmed to a safe temperature which is comfortable for your child and helps to preserve the nutrients and vitamins in the milk.*

- 5** Press the on/off button to switch on the appliance. The light in the button lights up to indicate that the baby bottle warmer is on (Fig. 7).

*Note: The baby bottle warmer starts warming up right after you press the button.*

- 6** The progress indicator starts to fill up gradually with white light to show the progress of the milk warming process (Fig. 8).

## 12 ENGLISH

*Note: The progress indicator shows the progress of the milk warming process. The progress indicator starts flashing when the appliance is on. When the first warming phase has been completed, the bottom segment lights up continuously and the next segment starts flashing to show that the second warming phase is in progress. These steps continue until the third warming phase has been completed. Then the entire progress indicator lights up continuously.*

*Note: During the warming process, the milk circulates to ensure even warming. It takes about 10 minutes to warm 90ml/3oz of room-temperature milk. It takes slightly longer to warm cold milk or a large amount of milk.*

**Caution: Do not take the bottle out of the baby bottle warmer while the progress indicator is flashing.**

- 7** When the entire progress indicator lights up continuously, the milk has reached the set temperature.
- When the milk is warm, you can either take the bottle out of the baby bottle warmer to feed your baby right away (see section 'Feeding your baby immediately') or you can keep it warm in the baby bottle warmer (see section 'Keeping milk warm').

### **Increasing the milk temperature**

- 1** If you want the milk to be warmer, you can increase the milk temperature gradually after it is ready by switching to milk warming setting 3 and leaving the bottle in the appliance at the keep-warm mode (Fig. 9).
- 2** If you just switched off the baby bottle warmer or if it just switched off automatically, switch it back on without removing the warm water from it, and follow the above step (Fig. 10).
- 3** The baby bottle warmer switches off automatically after 20 minutes of keep-warm mode (Fig. 11).

### Feeding your baby immediately

- 1** Press the on/off button to switch off the appliance and take out the milk bottle (Fig. 10).
- 2** Always check the temperature of the milk before you feed your baby. Gently swirl the milk in the bottle and check the temperature of the milk by sprinkling a few drops on the inside of your wrist (Fig. 12).
- 3** Unplug the appliance and empty the baby bottle warmer (Fig. 13).

### Keeping milk warm

- 1** When the milk has reached the desired temperature, the baby bottle warmer automatically switches to the keep-warm mode. In this mode, the milk is kept at the set temperature for 20 minutes (Fig. 14).
- 2** The baby bottle warmer switches off automatically after 20 minutes. The progress indicator switches off to indicate that the milk is not kept at the desired temperature anymore (Fig. 11).

*Note: If you want to feed your baby with milk at the set temperature, you need to take the milk bottle out of the baby bottle warmer and feed it to your baby right after the baby bottle warmer switches off, otherwise the milk cools down.*

*Note: You cannot prolong the keep-warm mode of the baby bottle warmer for more than 20 minutes.*

Caution: It is not recommended to reheat breast milk twice, as bacteria start to develop in the milk.

- 3** Always check the temperature of the milk before you feed your baby. Gently swirl the milk in the bottle or milk storage container and check the temperature of the milk by sprinkling a few drops on the inside of your wrist (Fig. 12).
- 4** Unplug the appliance and empty the baby bottle warmer (Fig. 13).

## 14 ENGLISH

### **Re-using the baby bottle warmer right away for another bottle**

If you want to heat up another bottle right away, let the baby bottle warmer cool down for a few minutes. To speed up this process, fill the baby bottle warmer with fresh cold water. When you switch on the baby bottle warmer, the progress indicator starts flashing from bottom to top to indicate that the appliance is heating up again.

*Note: If the progress indicator is on but does not flash, the baby bottle warmer is still too warm to heat up another bottle. Please switch off the baby bottle warmer, let it cool down for a few minutes and make sure you fill it with fresh cold water.*

### **Using the baby bottle warmer to warm baby food**

---

- 1** Put the mains plug in the wall socket (Fig. 3).
- 2** Place a baby food container or jar centrally in the baby bottle warmer (Fig. 15).

*Note: You can leave off the lid of the food container or jar, so you can stir the baby food during heating.*

- 3** Fill the baby bottle warmer with the **same** amount of drinking water as the amount of baby food you want to warm up (for example, to warm up 125ml/4oz of baby food, you need to use 125ml/4oz of drinking water). If you want to warm up a large amount of baby food, the maximum water level is approximately 1cm/0.4 inches under the rim of the baby bottle warmer (which corresponds to adding 160ml/4.5oz of drinking water). An accurate water level ensures correct warming performance. (Fig. 16)
- 4** Select the baby food warming setting (Fig. 17).
- 5** Press the on/off button to switch on the appliance. The light in the progress indicator shows that the baby bottle warmer is on (Fig. 18).

*Note: The baby bottle warmer starts warming up right after you press the button. Due to the large variety of baby food consistencies, it is not possible for the appliance to detect exactly how long the baby food should be warmed.*

- 6** The progress indicator starts to fill gradually with white light to show the progress of the warming process. During the warming process, do not take the jar or container out of the baby bottle warmer but stir the baby food while the jar or container is still in the baby bottle warmer (Fig. 19).

*Note: You can start stirring the baby food once the second segment of the progress indicator lights up continuously. Stirring before this moment is not effective as the temperature of the baby food is still too low.*

Caution: Do not take the food container or jar out of the baby bottle warmer during warming.

- 7** When the entire progress indicator lights up continuously, the baby food has reached the desired temperature.

*Note: Due to the large variety of baby food consistencies, it is strongly recommended that you continuously stir the baby food and check its temperature while it is heating up for an optimal result.*

- When the baby food is warm, you can either take the baby food container or jar out of the baby bottle warmer to feed your baby right away (see section 'Feeding your baby immediately') or you can keep it warm in the baby bottle warmer (see section 'Keeping baby food warm').

### **Increasing the baby food temperature**

- 1** Always taste the baby food after warming it up to make sure it is not too hot. If you want the baby food to be warmer, put the container back into the baby bottle warmer and leave it in there at the keep warm-mode for some time. Keep stirring the baby food (Fig. 15).

## 16 ENGLISH

- 2 If you just switched off the baby bottle warmer or if it just switched off automatically, switch it back on without removing the warm water from it, and follow the above step (Fig. 18).
- 3 The baby bottle warmer switches off automatically after 20 minutes of keep-warm mode (Fig. 20).

### Feeding your baby immediately

- 1 Press the on/off button to switch off the appliance and take out the baby food container or jar (Fig. 18).
- 2 After warming, taste the baby food to ensure it is not too hot (Fig. 21).
- 3 Unplug the appliance and empty the baby bottle warmer (Fig. 13).

### Keeping baby food warm

- 1 When the baby food has reached the desired temperature, the baby bottle warmer automatically switches to the keep-warm mode. In this mode, the baby food is kept at the desired temperature for 20 minutes (Fig. 22).
- 2 The baby bottle warmer switches off automatically after 20 minutes. The progress indicator switches off to indicate that the baby food is not kept at the desired temperature anymore (Fig. 20).

*Note: If you want to feed your baby with the baby food at the set temperature, you need to take the baby food out of the baby bottle warmer and feed it to your baby right after the baby bottle warmer switches off. If you do not do this, the baby food slowly cools down.*

*Note: You cannot prolong the keep-warm mode of the baby bottle warmer for more than 20 minutes.*

- 3 Always check the temperature of the baby food before you feed your baby. Gently stir the baby food in the baby food container or jar and taste the baby food to ensure it is not too hot (Fig. 21).

- 4** Unplug the appliance and empty the baby bottle warmer (Fig. 13).

**Re-using the baby bottle warmer right away for another container of baby food**

If you want to heat up another container or jar with baby food right away, let the baby bottle warmer cool down for a few minutes. To speed up this process, fill the baby bottle warmer with fresh cold water. When you switch on the baby bottle warmer, the progress indicator starts flashing from bottom to top to indicate that the appliance is heating up again.

*Note: If the progress indicator is on but does not flash, the baby bottle warmer is still too warm to heat up another container or jar with baby food. Please switch off the baby bottle warmer, let it cool down for a few minutes and make sure you fill it with fresh cold water.*

---

**Defrost setting**

---

At this setting, you can defrost frozen milk or baby food. Follow the steps indicated in sections 'Using the baby bottle warmer to warm milk' or 'Using the baby bottle warmer to warm baby food'.

The progress indicator starts flashing when the appliance is on the defrost setting. The progress indicator gradually fills with white light to show the progress of the defrosting process. The milk or baby food has defrosted completely when the entire progress indicator lights up continuously. The defrost setting defrosts the milk or baby food but does not warm it up. If you want to warm up milk or baby food after defrosting it, first switch off the appliance, then select the desired warming setting and switch the appliance back on.

## Cleaning and descaling

### Cleaning

---

- 1 After each use, unplug the baby bottle warmer and let it cool down (Fig. 23).
- 2 Remove the water from the baby bottle warmer for hygienic reasons (Fig. 24).
- 3 Wipe the outside and inside of the baby bottle warmer with a moist cloth (Fig. 25).

Do not use abrasive, anti-bacterial cleaning agents, chemical solvents or sharp tools to clean the baby bottle warmer.

*Note: If you used the baby bottle warmer to warm containers with baby food, make sure that no spilled baby food remains on the bottom of the baby bottle warmer.*

### Descaling

---

It is recommended to descale the baby bottle warmer every **four weeks** to ensure it continues to work efficiently.

- 1 Mix 50ml/1.7oz of white vinegar with 100ml/3.4oz of cold water to descale the baby bottle warmer. First select the defrost setting, then switch on the baby bottle warmer and let the appliance operate for 10 minutes. Leave the solution in the baby bottle warmer until all scale has dissolved. (Fig. 26)

*Note: You can also use citric acid based descalers.*

*Note: Do not use other types of descalers.*

- 2 Unplug the baby bottle warmer before you empty it (Fig. 23).
- 3 Empty the baby bottle warmer and rinse its inside thoroughly. If you still see traces of scale after rinsing, repeat the descaling procedure (Fig. 24).



### Recycling

- This symbol on a product means that the product is covered by European Directive 2012/19/EU. Inform yourself about the local separate collection system for electrical and electronic products. Follow local rules and never dispose of the product with normal household waste. Correct disposal of old products helps prevent negative consequences for the environment and human health. (Fig. 27)

### Guarantee and support

If you need information or support, please visit **[www.philips.com/support](http://www.philips.com/support)** or read the separate worldwide guarantee leaflet.

## 20 БЪЛГАРСКИ

### Общо описание (фиг. 1)

1. Подгревател за бебешка бутилка
2. Индикатор за напредъка
3. Настройки и бутон за вкл./изкл.
4. Настройка за размразяване
5. Настройка за затопляне на мляко 1
6. Настройка за затопляне на мляко 2
7. Настройка за затопляне на мляко 3
8. Настройка за затопляне на бебешка храна
9. Бутон за вкл./изкл.

### Важно

За да се възползвате изцяло от предлаганата от Philips поддръжка, регистрирайте уреда си на адрес **[www.philips.bg/welcome](http://www.philips.bg/welcome)**.

Преди да използвате подгревателя за бебешка бутилка, прочетете внимателно това ръководство за потребителя и го запазете за бъдещи справки.

### Опасност

- Никога не потапяйте задвижващия блок във вода или друга течност и не го мийте с течаща вода.

### Предупреждение

- Използвайте уреда само на закрито.
- Този уред може да се използва от хора с намалени физически, сетивни или умствени възможности или без опит и познания, ако са под наблюдение или са инструктирани за безопасната употреба на уреда и са разбрали евентуалните опасности.

- Не позволявайте на деца да извършват почистване или поддръжка на уреда.
- Този уред не бива да се използва от деца. Пазете уреда и кабела далече от достъп на деца.
- Не позволявайте на деца да си играят с уреда.
- Не потапяйте кабела, щепсела или уреда във вода или в друга течност.
- Не оставяйте захранващия кабел да виси през ръба на масата или на работния плот. Излишната дължина на кабела може да се прибере в основата на подгревателя за бебешка бутилка, което осигурява стабилност на уреда.
- Внимавайте кабелът да е далече от горещи повърхности.
- Включвайте уреда само в заземен контакт. Винаги проверявайте дали щепселът е включен в контакта както трябва.
- Преди да включите уреда в контакта, проверете дали напрежението, посочено на дъното на уреда, отговаря на това на местната електрическа мрежа.
- Ако се налага да използвате удължителен кабел, уверете се, че той е заземен с номинален ток от най-малко 13 ампера.
- Не използвайте уреда, ако щепселът, захранващият кабел или самият уред е

## 22 БЪЛГАРСКИ

повреден. С оглед предотвратяване на опасност при повреда в хранящия кабел той трябва да бъде сменен от Philips, оторизиран от Philips сервиз или квалифициран техник.

- Не поставяйте уреда върху или в близост до горещ газон или електрически котлон или в загрята фурна.
- Не затопляйте предварително уреда.
- Винаги поставяйте напълно сглобена бутилка с капачка в подгревателя за бебешка бутилка, преди да добавите вода.
- Уверете се, че сте добавили вода, преди да включите подгревателя за бебешка бутилка.
- Горещата вода може да причини тежки изгаряния. Внимавайте, когато подгревателят за бебешка бутилка съдържа гореща вода.
- Достъпните повърхности на уреда може да се нагорещават при употреба.
- Не местете уреда, когато съдържа гореща вода.
- Винаги проверявайте температурата на храната, преди да пристъпите към хранене на детето.

### **Внимание**

- Този уред е предназначен за използване за домакински и подобни цели, например във ферми, в места за нощуване и закуска, в

кухненски зони за персонала в магазини, в офиси и други работни помещения, както и от клиенти в хотели, мотели и други подобни помещения от жилищен тип.

- Изключвайте уреда от контакта, когато не се използва.
- Съхранявайте излишната дължина от захранващия кабел в основата, за да се осигури стабилност на подгревателя за бебешка бутилка.
- Оставете уреда да се охлади, преди да го почиствате.
- Следвайте инструкциите за почистване на накип, за да избегнете непоправими щети.
- Не се опитвайте да отваряте или ремонтирате уреда сами. Може да се свържете с центъра за обслужване на потребители на Philips във вашата страна (вж. **[www.philips.bg/support](http://www.philips.bg/support)**).
- Храната не трябва да се подгръва прекалено дълго.
- Използвайте уреда само както е описано в ръководството за потребителя, за да се избегне потенциално нараняване вследствие на неправилна употреба.
- Повърхността на нагревателния елемент запазва остатъчната топлина след употреба.

## 24 БЪЛГАРСКИ

### Електромагнитни излъчвания (EMF)

Този уред на Philips е в съответствие с нормативната уредба и всички действащи стандарти, свързани с излагането на електромагнитни излъчвания.

### Използване на подгревателя за бебешка бутилка

С този подгревател за бебешка бутилка можете безопасно да затопляте и размразявате мляко в бутилки за хранене Philips Avent или бебешка храна в контейнери.

Подгревателят за бебешка бутилка помага за запазване на ценните хранителни съставки и витамини в кърмата, тъй като никога не прегръва млякото. Ако млякото стане прекалено топло, хранителните съставки и витамините се загубват. За да се запази качеството на вашата кърма, важно е тя да се загрева по безопасен и контролиран начин. Подгревателят за бебешка бутилка е проектиран да затопля леко и равномерно, избягвайки горещи точки, тъй като млякото циркулира по време на затоплянето. Вграденият датчик следи и управлява температурата на млякото, за да се избегне прегръването по всяко време.

**Забележка:** Чантите за кърма Philips Avent и бутилките Philips Avent 60 мл/2 унции не могат да се използват в този подгревател за бебешка бутилка.

### Обяснение на настройки

- Можете да изберете между следните настройки: (фиг. 2)
- Настройка за размразяване: за размразяване на бутилка или контейнер със замразено мляко или бебешка храна. Не настъпва затопляне.
- Настройки за затопляне на мляко: изберете една от тези настройки, когато искате да затоплите бутилка с мляко до безопасна температура. Настройка 2 затопля млякото приблизително до температурата на тялото. Настройка 1 затопля млякото до малко по-ниска температура, а настройка 3 затопля млякото до малко по-висока температура.

- Настройка за затопляне на бебешка храна: изберете тази настройка, когато искате да затоплите контейнер или бурканче с бебешка храна.

### **Използване на подгревателя за бебешка бутилка за затопляне на мляко**

- 1** Включете щепсела на захранващия кабел в контакта (фиг. 3).
- 2** Бутилката се поставя по средата на подгревателя за бебешка бутилка (фиг. 4).

*Забележка: За да подгреете мляко в контейнер за съхранение на мляко, следвайте стъпките, посочени за затопляне на мляко в бутилка.*

- 3** Напълнете подгревателя за бебешка бутилка със **същото** количество питейна вода като количеството мляко, което искате да затоплите (например за да затоплите 125 мл/4 унции мляко, трябва да използвате 125 мл/4 унции питейна вода). Ако искате да затоплите голямо количество мляко (>180 мл/6 унции), максималното ниво на водата е около 1 см/0,4 инча под ръба на подгревателя за бебешка бутилка (което съответства на добавяне на 160 мл/4,5 унции питейна вода). Точното ниво на водата осигурява правилното затопляне. (фиг. 5)

- 4** Изберете желаната настройка (фиг. 6).

*Забележка: Опитът ни учи, че бебетата могат да имат предпочитания за конкретна температура на млякото. Това може да се дължи на личните им предпочитания или на външни фактори (напр. температура на околната среда). И трите настройки гарантират, че млякото е затоплено до безопасна температура, която е приятна за вашето дете и която спомага за запазването на хранителните вещества и витамини в млякото.*

- 5** Натиснете бутона за вкл./изкл., за да включите уреда. Лампата на бутона светва, което означава, че подгревателят за бебешка бутилка е включен (фиг. 7).

## 26 БЪЛГАРСКИ

*Забележка: Подгревателят за бебешка бутилка започва затопляне веднага след като натиснете бутона.*

- 6** Индикаторът за напредък започва постепенно да се запълва с бяла светлина, за да покаже напредъка на процеса на затопляне на млякото (фиг. 8).

*Забележка: Индикаторът за напредък показва напредъка на процеса за затопляне на млякото. Индикаторът за напредък започва да мига, когато уредът е включен. Когато първата фаза на затопляне завърши, най-долният сегмент свети постоянно, а следващият сегмент започва да мига, за да покаже, че се изпълнява втората фаза на затопляне. Тези стъпки продължават, докато завърши третата фаза на затопляне. В този момент целият индикатор за напредък свети постоянно.*

*Забележка: По време на процеса на нагряване млякото циркулира, за да се осигури равномерно затопляне. Необходими са около 10 минути, за да се загреят 90 мл/3 унции мляко при стайна температура. Нужно е малко по-дълго време, за да се загрее студено мляко или голямо количество мляко.*

**Внимание:** Не вадете бутилката от подгревателя за бебешка бутилка, докато индикаторът за напредъка мига.

- 7** Когато целият индикатор за напредък свети постоянно, това означава, че млякото е достигнало зададената крайна температура.
- Когато млякото е стоплено, можете да вземете бутилката от подгревателя за бебешка бутилка, за да храните вашето бебе веднага (вж. раздел „Незабавно хранене на вашето бебе“) или можете да го държите топло в подгревателя за бебешка бутилка (вж. раздела „Поддържане на млякото топло“).

### **Увеличаване на температурата на млякото**

- 1** Ако искате млякото да бъде по-топло, можете постепенно да увеличавате температурата на млякото, след като е готово, като превключите на настройка за затопляне 3 и оставите бутилката в уреда в режим за поддържане на топлината (фиг. 9).
- 2** Ако току-що сте изключили подгревателя за бебешки бутилки или ако просто се е изключил автоматично, включете го



отново, без да премахвате топлата вода от него, и следвайте горната стъпка (фиг. 10).

- 3 Подгревателят за бебешка бутилка се изключва автоматично след 20 минути в режим за поддържане на топлината (фиг. 11).

### **Незабавно хранене на вашето бебе**

- 1 Натиснете бутона за вкл./изкл., за да изключите уреда, и извадете бутилката с мляко (фиг. 10).
- 2 Винаги проверявайте температурата на млякото преди хранене на вашето бебе. Леко разклатете млякото в бутилката и проверете температурата на млякото, като капнете няколко капки от вътрешната страна на китката си (фиг. 12).
- 3 Изключете уреда от контакта и изпразнете подгревателя за бебешка бутилка (фиг. 13).

### **Поддържане на млякото топло**

- 1 Когато млякото достигне желаната температура, подгревателят за бебешка бутилка автоматично се превключва в режим за поддържане на топлината. В този режим млякото се поддържа със зададената температура за 20 минути (фиг. 14).
- 2 Подгревателят за бебешка бутилка се изключва автоматично след 20 минути. Индикаторът за напредък се изключва, което означава, че температурата на млякото вече не е желаната температура (фиг. 11).

*Забележка: Ако искате да нахраните бебето си с мляко със зададената температура, трябва да извадите бутилката с мляко от подгревателя за бебешка бутилка и да нахраните бебето си веднага след като подгревателят за бебешка бутилка се изключи, в противен случай млякото изстива.*

*Забележка: Не можете да удължавате режима за поддържане на топлината на подгревателя за бебешка бутилка за повече от 20 минути.*

Внимание: Не се препоръчва повторно затопяне на кърма, тъй като в кърмата започват да се развиват бактерии.



## 28 БЪЛГАРСКИ

- 3 Винаги проверявайте температурата на млякото преди хранене на вашето бебе. Леко разклатете млякото в бутилката или в контейнера за съхранение на мляко и проверете температурата на млякото, като капнете няколко капки от вътрешната страна на китката си (фиг. 12).
- 4 Изключете уреда от контакта и изпразнете подгревателя за бебешка бутилка (фиг. 13).

### Повторно използване на подгревателя за бебешка бутилка веднага за друга бутилка

Ако искате да стоплите друга бутилка веднага, оставете подгревателя за бебешка бутилка да изстине в продължение на няколко минути. За ускоряване на този процес напълнете подгревателя за бебешка бутилка с прясна студена вода. Когато включите подгревателя за бебешка бутилка, индикаторът за напредъка започва да мига отдолу нагоре за да покаже, че уредът се загрева отново.

*Забележка: Ако индикаторът за напредъка е включен, но не мига, подгревателят за бебешка бутилка все още е твърде топъл, за да загрее друга бутилка. Моля, изключете подгревателя за бебешка бутилка, оставете го да изстине за няколко минути и се уверете, че сте го напълнили с прясна студена вода.*

### Използване на подгревателя за бебешка бутилка за затопляне на бебешка храна

- 1 Включете щепсела на захранващия кабел в контакта (фиг. 3).
- 2 Поставете контейнера с бебешка храна или бурканчето по средата на подгревателя за бебешка бутилка (фиг. 15).

*Забележка: Можете да махнете капака на контейнера или бурканчето с храна, така че да можете да разбърквате бебешката храна по време на затоплянето.*

- 3 Напълнете подгревателя за бебешка бутилка със **същото** количество питейна вода като количеството бебешка храна, което искате да затоплите (например за да затоплите 125 мл/4 унции бебешка храна, трябва да използвате 125 мл/4 унции питейна вода). Ако искате да затоплите голямо количество



бешешка храна, максималното ниво на водата е около 1 см/ 0,4 инча под ръба на подгревателя за бешешка бутилка (което съответства на добавяне на 160 мл/4,5 унции питейна вода). Точното ниво на водата осигурява правилното затопляне. (фиг. 16)

**4** Изберете настройката за затопляне на бешешка храна (фиг. 17).

**5** Натиснете бутона за вкл./изкл., за да включите уреда. Светлината на индикатора за напредък показва, че подгревателят за бешешка бутилка е включен (фиг. 18).

*Забележка: Подгревателят за бешешка бутилка започва затоплянето веднага след като натиснете бутона. Поради голямото разнообразие на консистенции на бешешката храна е невъзможно уредът да установи точно колко дълго трябва да се затопля бешешката храна.*

**6** Индикатор за напредък започва да се запълва постепенно с бяла светлина, за да покаже напредъка на процеса за затопляне. По време на процеса на затопляне не изваждайте бурканчето или контейнера от подгревателя за бешешка бутилка, но можете да разбърквате бешешката храна, докато бурканчето или контейнерът са все още в подгревателя за бешешка бутилка (фиг. 19).

*Забележка: Можете да започнете разбъркването на храната, след като вторият сегмент на индикатора за напредък засвети непрекъснато. Разбъркването преди този момент не е ефективно, тъй като температурата на бешешката храна все още е твърде ниска.*

**Внимание:** Не изваждайте контейнера или бурканчето с храна от подгревателя за бешешка бутилка по време на затопляне.

**7** Когато целият индикатор за напредък свети постоянно, това означава, че бешешката храна е достигнала зададената температура.

*Забележка: Поради голямото разнообразие на консистенции на бешешката храна силно се препоръчва непрекъснато бъркане на бешешката храна и проверка на температурата ѝ, докато се затопля, за да се постигне оптимален резултат.*

## 30 БЪЛГАРСКИ

- Когато бебешката храна се стопли, можете да вземете контейнера или бурканчето с бебешка храна от подгревателя за бебешка бутилка, за да нахраните вашето бебе веднага (вж. раздел „Незабавно хранене на вашето бебе“) или можете да я поддържате топла в подгревателя за бебешка бутилка (вж. раздела „Поддържане на бебешката храна топла“).

### **Повишаване на температурата на бебешката храна**

- 1** Винаги опитвайте бебешка храна след загряване, за да се уверите, че не е твърде гореща. Ако искате бебешка храна да е по-топла, поставете обратно контейнера в подгревателя за бебешка бутилка и го оставете там в режим за поддържане на топлината за известно време. Продължавайте да разбърквате бебешката храна (фиг. 15).
- 2** Ако току-що сте изключили подгревателя за бебешки бутилки или ако просто се е изключил автоматично, включете го отново, без да премахвате топлата вода от него, и следвайте горната стъпка (фиг. 18).
- 3** Подгревателят за бебешка бутилка се изключва автоматично след 20 минути в режим за поддържане на топлината (фиг. 20).

### **Незабавно хранене на вашето бебе**

- 1** Натиснете бутона за вкл./изкл., за да изключите уреда, и извадете контейнера или бурканчето с бебешка храна (фиг. 18).
- 2** След загряване опитайте храната на бебето, за да сте сигурни, че не е твърде гореща (фиг. 21).
- 3** Изключете уреда от контакта и изпразнете подгревателя за бебешка бутилка (фиг. 13).

### Поддържане на бебешката храна топла

- 1** Когато бебешката храна достигне желаната температура, подгревателят за бебешка бутилка автоматично се превключва в режим за поддържане на топлината. В този режим бебешката храна се поддържа с желаната температура за 20 минути (фиг. 22).
- 2** Подгревателят за бебешка бутилка се изключва автоматично след 20 минути. Индикаторът за напредък се изключва, което означава, че температурата на бебешката храна вече не е желаната температура (фиг. 20).

*Забележка: Ако искате да нахраните бебето си с бебешката храна със зададената температура, трябва да извадите храната от подгревателя за бебешка бутилка и да нахраните бебето си веднага след като подгревателят за бебешка бутилка се изключи. Ако не направите това, бебешката храна бавно ще изстине.*

*Забележка: Не можете да удължавате режима за поддържане на топлината на подгревателя за бебешка бутилка за повече от 20 минути.*

- 3** Винаги проверявайте температурата на храната, преди да храните бебето си. Внимателно разбърквайте бебешката храна в контейнера или буркана и я опитайте, за да се уверите, че не е твърде гореща (фиг. 21).
- 4** Изключете уреда от контакта и изпразнете подгревателя за бебешка бутилка (фиг. 13).



## 32 БЪЛГАРСКИ

### **Повторно използване на подгревателя за бебешка бутилка веднага за друг контейнер с бебешка храна**

Ако искате да стоплите друг контейнер или бурканче с бебешка храна веднага, оставете подгревателя за бебешка бутилка да изстине в продължение на няколко минути. За ускоряване на този процес напълнете подгревателя за бебешка бутилка с прясна студена вода. Когато включите подгревателя за бебешка бутилка, индикаторът за напредъка започва да мига отдолу нагоре, за да покаже, че уредът се загрева отново.

*Забележка: Ако индикаторът за напредък е включен, но не мига, подгревателят за бебешка бутилка все още е твърде топъл, за да загрее друг контейнер или буркан с бебешка храна. Моля, изключете подгревателя за бебешка бутилка, оставете го да изстине за няколко минути и се уверете, че сте го напълнили с прясна студена вода.*

### **Настройка за размразяване**

---

При тази настройка може да се размразява замразено мляко или бебешка храна. Следвайте стъпките, описани в разделите „Използване на подгревателя за бебешка бутилка за затопляне на мляко“ или „Използване на подгревателя за бебешка бутилка за затопляне на бебешка храна“.

Индикаторът за напредъка започва да мига, когато уредът е на настройка за размразяване. Индикаторът за напредъка постепенно се изпълва с бяла светлина, за да покаже напредъка на процеса по размразяване. Млякото или бебешката храна е размразена напълно, когато целият индикатор за напредъка свети непрекъснато.

Настройката за размразяване размразява млякото или бебешката храна, но не загрева. Ако искате да затоплите мляко и бебешка храна след размразяване, първо изключете уреда, след това изберете желаната настройка за затопляне и включете отново уреда.



## Почистване и премахване на накип

### Почистване

- 1 След всяка употреба изключвайте подгревателя за бебешка бутилка и го оставайте да се охлади (фиг. 23).
- 2 Поради хигиенни съображения отстранете водата от подгревателя за бебешка бутилка (фиг. 24).
- 3 Избършете външната и вътрешната страна на подгревателя за бебешка бутилка с влажна кърпа (фиг. 25).

Не използвайте абразивни, антибактериални почистващи препарати, химични разтворители или остри инструменти за почистване на подгревателя за бебешка бутилка.

*Забележка: Ако сте използвали подгревателя за бебешка бутилка за затопляне на контейнери с бебешка храна, уверете се, че няма останала разлята бебешка храна на дъното на подгревателя за бебешка бутилка.*

### Премахване на накип

Препоръчително е да премахвате накипа от подгревателя за бебешка бутилка на всеки **четири седмици**, за да се гарантира, че ще продължи да работи ефективно.

- 1 Смесете 50 мл/1,7 унции бял оцет със 100 мл/3,4 унции студена вода, за да премахнете накипа от подгревателя за бебешка бутилка. Първо изберете настройка за размразяване, след това включете подгревателя за бебешка бутилка и оставете уреда да работи за 10 минути. Оставете разтвора в подгревателя за бебешка бутилка, докато целият накип се разтвори. (фиг. 26)

*Забележка: Можете да използвате също и препарати за премахване на накип на базата на лимонена киселина.*

*Забележка: Не използвайте други видове препарати.*

- 2 Изключете подгревателя за бебешка бутилка, преди да го изпразните (фиг. 23).

## 34 БЪЛГАРСКИ

- 3 Изпразнете подгревателя за бебешка бутилка и изплакнете старателно вътрешната му част. Ако все още личат следи от накип след изплакването, повторете процедурата за премахване на накип (фиг. 24).

### Рециклиране

- Този символ върху даден продукт означава, че изделието отговаря на изискванията на европейската Директива 2012/19/ЕС. Информирайте се относно местната система за разделно събиране на отпадъци за електрически и електронни продукти. Следвайте местните разпоредби и никога не изхвърляйте изделието с обикновените битови отпадъци. Правилното изхвърляне на старите продукти помага за предотвратяването на отрицателни последици за околната среда и човешкото здраве. (фиг. 27)

### Гаранция и поддръжка

Ако се нуждаете от информация или поддръжка, посетете **[www.philips.bg/support](http://www.philips.bg/support)** или прочетете листовката за международна гаранция.



**Všeobecný popis (Obr. 1)**

1. Ohříváč kojeneckých lahví
2. Ukazatel průběhu
3. Knoflík pro nastavení a vypínač
4. Nastavení rozmrazování
5. Nastavení ohřevu mléka 1
6. Nastavení ohřevu mléka 2
7. Nastavení ohřevu mléka 3
8. Nastavení ohřevu dětské stravy
9. Vypínač

**Důležité**

Chcete-li využívat všech výhod podpory nabízené společností Philips, zaregistrujte svůj přístroj na adrese **[www.philips.com/welcome](http://www.philips.com/welcome)**.

Před použitím ohříváče kojeneckých lahví si pečlivě přečtěte tuto uživatelskou příručku a uschovejte ji pro budoucí použití.

**Nebezpečí**

- Přístroj nikdy neponořujte do vody nebo jiné kapaliny ani jej neproplachujte pod tekoucí vodou.

**Varování**

- Přístroj používejte pouze v interiéru.
- Přístroj mohou používat osoby se sníženými fyzickými, smyslovými nebo duševními schopnostmi nebo nedostatkem zkušeností a znalostí, pokud jsou pod dohledem nebo byly poučeny o

## 36 ČEŠTINA

bezpečném používání přístroje a rozumí všem rizikům spojeným s používáním přístroje.

- Čištění a uživatelskou údržbu nesmějí provádět děti.
- Přístroj nesmějí používat děti. Přístroj a napájecí kabel udržujte mimo dosah dětí.
- Děti si s přístrojem nesmí hrát.
- Kabel, zástrčku ani přístroj neponořujte do vody ani do žádné jiné kapaliny.
- Nenechte napájecí kabel viset přes okraj stolu nebo kuchyňské linky. Přebytečnou délku kabelu lze uložit v základně ohřívače kojeneckých lahví a zajistit tak stabilitu přístroje.
- Napájecí kabel nenechávejte v blízkosti horkých povrchů.
- Přístroj připojte výhradně do uzemněné zásuvky. Vždy se ujistěte, že je zástrčka řádně zasunuta do síťové zásuvky.
- Před zapojením přístroje zkontrolujte, zda napětí uvedené na spodní části přístroje odpovídá napětí místní rozvodné sítě.
- Je-li nutné použít prodlužovací kabel, ujistěte se, že se jedná o uzemněný kabel se jmenovitou hodnotou nejméně 13 ampérů.

- Nepoužívejte přístroj, pokud je poškozena zástrčka, napájecí kabel nebo samotný přístroj. Pokud je poškozený napájecí kabel, nechte jej vyměnit společností Philips, servisním střediskem autorizovaným společností Philips nebo obdobně kvalifikovaným pracovníkem, abyste zamezili možnému nebezpečí.
- Neumísťujte přístroj na horký plynový ani elektrický vařič či zahřátou troubu, ani blízko nich.
- Přístroj nepředehřívejte.
- Do ohřívače kojeneckých lahví vždy vkládejte zcela sestavenou lahev s víčkem a teprve poté nalijte vodu.
- Dbejte na to, abyste nalili vodu před zapnutím ohřívače kojeneckých lahví.
- Horká voda vám může způsobit vážné opaření. Buďte proto velmi opatrní, pokud je v ohřívači kojeneckých lahví horká voda.
- Přístupné povrchy přístroje se mohou během použití zahřát.
- Nepohybujte přístrojem, pokud obsahuje horkou vodu.
- Než začnete dítě krmit, vždy zkontrolujte teplotu dětské stravy.

### Upozornění

- Tento přístroj je určen pro použití v domácnostech a podobných prostředích, jako jsou farmy, prostředí pro nocleh a snídaně, kuchyňky pro personál v obchodech, kancelářích a jiných pracovištích a pro klienty v hotelech, motelech a dalších obytných prostředích.
- Pokud přístroj nepoužíváte, odpojte jej ze zásuvky.
- Přebytečnou délku kabelu uložte v základně ohřívače kojeneckých lahví a zajistěte tak stabilitu přístroje.
- Před čištěním nechte přístroj vychladnout.
- Dodržujte pokyny pro odstranění vodního kamene, předejdete tak nenapravitelným škodám.
- Nepokoušejte se přístroj sami otevírat ani opravovat. Můžete se obrátit na středisko péče o zákazníky společnosti Philips ve vaší zemi (viz webová stránka **www.philips.com/support**).
- Potravinu byste neměli ohřívat příliš dlouho.

- Přístroj používejte pouze v souladu s popisem uvedeným v uživatelské příručce, aby nedošlo k poranění následkem nesprávného použití přístroje.
- Povrch topného tělesa obsahuje po použití zbytkové teplo.

### **Elektromagnetická pole (EMP)**

Tento přístroj Philips odpovídá všem platným normám a předpisům týkajícím se elektromagnetických polí.

### **Použití ohříváče kojeneckých lahví**

Tento ohříváč kojeneckých lahví vám umožní bezpečně ohřívat a rozmrazovat mateřské mléko v kojeneckých lahvích Philips Avent a mléko nebo dětskou stravu v zásobnících. Ohříváč kojeneckých lahví pomáhá v mateřském mléku zachovat cenné výživné látky a vitamíny, protože mléko nikdy nepřehřeje. Pokud se mléko ohřeje příliš, výživné látky a vitamíny se poškodí. Abyste pomohli kvalitě mateřského mléka zachovat, je důležité je ohřívat bezpečně a kontrolovaně. Ohříváč kojeneckých lahví je navržen tak, aby ohříval jemně a rovnoměrně a nevytvářela se horká místa, protože mléko během ohřívání cirkuluje. Zabudovaný senzor sleduje a kontroluje teplotu mléka, aby vždy zabránil jeho přehřátí.

***Poznámka: V tomto ohříváči kojeneckých lahví nelze použít sáčky na mateřské mléko Philips Avent a lahve Philips Avent o objemu 60 ml.***

### **Popis nastavení**

- Můžete si vybrat z následujících nastavení: (Obr. 2)
- Nastavení rozmrazování: Slouží k rozmrazení lahve nebo nádoby se zmrazeným mlékem nebo dětskou stravou. Nedochází k ohřívání.



## 40 ČEŠTINA

- Nastavení ohřevu mléka: Jedno z těchto nastavení zvolte v případě, že chcete ohřát lahev mléka na bezpečnou teplotu. Nastavení 2 ohřeje mléko přibližně na tělesnou teplotu. Nastavení 1 ohřeje mléko na trochu nižší teplotu a nastavení 3 ohřeje mléko na trochu vyšší teplotu.
- Nastavení ohřevu dětské stravy: Toto nastavení zvolte, chcete-li ohřát nádobu nebo sklenici s dětskou stravou.

### **Jak ohřát mléko v ohřívачи kojeneckých lahví**

---

- 1** Zapojte zástrčku do zásuvky (Obr. 3).
- 2** Vložte lahve do středu ohřívаче kojeneckých lahví (Obr. 4).

*Poznámka: Chcete-li ohřát mléko ve skladovací nádobě, použijte stejný postup jako při ohřevu mléka v lahvi.*

- 3** Nalijte do ohřívаче kojeneckých lahví **stejně** množství pitné vody, jako je množství ohřivaného mléka (chcete-li například ohřát 125 ml mléka, je třeba použít 125 ml pitné vody). Chcete-li ohřát velké množství mléka (>180 ml), je maximální hladina vody přibližně 1 cm pod okrajem ohřívаче kojeneckých lahví (což odpovídá nalití 160 ml pitné vody). Přesná hladina vody zajišťuje správné ohřívání. (Obr. 5)

- 4** Vyberte požadované nastavení (Obr. 6).

*Poznámka: Zkušenostmi je ověřeno, že děti mohou preferovat určitou teplotu mléka. Může to být způsobeno osobními preferencemi nebo vnějšími vlivy (například teplotou prostředí). Všechna tři nastavení zajistí ohřev mléka na bezpečnou teplotu, která je vašemu dítěti příjemná a zachová výživné látky a vitamíny v mléce.*

- 5** Zapněte přístroj stisknutím vypínače. Kontrolka na tlačítku se rozsvítí na znamení, že ohřívач kojeneckých lahví je zapnutý (Obr. 7).

*Poznámka: Ohřívач kojeneckých lahví začíná ohřívát ihned poté, co stisknete tlačítko.*



- 6** Ukazatel průběhu se postupně zaplní bílým světlem podle průběhu procesu ohřívání mléka (Obr. 8).

*Poznámka: Ukazatel průběhu ukazuje průběh procesu ohřívání mléka. Ukazatel průběhu začne blikat při zapnutí přístroje. Po dokončení první fáze ohřevu se trvale rozsvítí dolní segment a začne blikat další segment na znamení, že probíhá druhá fáze ohřevu. Tyto kroky pokračují, dokud neskončí třetí fáze ohřevu. Pak trvale svítí celý ukazatel průběhu.*

*Poznámka: Během procesu ohřívání mléko cirkuluje, aby se zajistilo rovnoměrné ohřívání. Ohřát 90 ml mléka na pokojovou teplotu trvá přibližně 10 minut. Ohřát studené mléko nebo ohřát větší množství mléka trvá o trochu déle.*

Upozornění: Nevyjímejte z ohříváče kojeneckých lahví lahev, dokud bliká ukazatel průběhu.

- 7** Když svítí celý ukazatel průběhu, mléko dosáhlo nastavené teploty.

- Když je mléko teplé, můžete lahev vyjmout z ohříváče kojeneckých lahví a ihned nakrmit dítě (viz část „Bezprostřední krmení dítěte“) nebo ji můžete uchovat teplou v ohříváči kojeneckých lahví (viz část „Uchovávání teplého mléka“).

### **Přihřívání mléka**

- 1** Pokud chcete mléko přehřát, můžete postupně zvýšit teplotu mléka přepnutím na nastavení ohřevu mléka 3 a ponecháním lahve v zařízení při režimu udržování teploty (Obr. 9).
- 2** Pokud jste právě ohříváč kojeneckých lahví vypnuli nebo pokud se právě vypnul automaticky, znovu jej zapněte, aniž byste z něho odstraňovali teplou vodu, a postupujte podle výše uvedeného kroku (Obr. 10).
- 3** Ohříváč kojeneckých lahví se v režimu udržování teploty automaticky vypne po 20 minutách (Obr. 11).

## 42 ČEŠTINA

### Bezprostřední krmení dítěte

- 1** Vypněte přístroj stisknutím vypínače a vyjměte lahev s mlékem (Obr. 10).
- 2** Před krmením dítěte vždy zkontrolujte teplotu mléka. Jemně rozviřte mléko v lahvi a zkontrolujte teplotu mléka nastříkáním několika kapek na vnitřní stranu zápěstí (Obr. 12).
- 3** Odpojte přístroj ze zásuvky a vylijte ohřivač kojeneckých lahví (Obr. 13).

### Uchovávání teplého mléka

- 1** Když mléko dosáhne požadované teploty, ohřivač kojeneckých lahví automaticky přepne do režimu udržování teploty. V tomto režimu se mléko uchovává při nastavené teplotě po dobu 20 minut (Obr. 14).
- 2** Ohřivač kojeneckých lahví se automaticky vypne po 20 minutách. Ukazatel průběhu se vypne na znamení, že mléko se již neuchovává při požadované teplotě (Obr. 11).

*Poznámka: Chcete-li podat dítěti mléko při nastavené teplotě, je třeba vyjmout lahev s mlékem z ohřivače kojeneckých lahví a nakrmit dítě ihned poté, co se ohřivač kojeneckých lahví vypne. Jinak mléko vychladne.*

*Poznámka: Režim udržování teploty v ohřivači kojeneckých lahví nelze prodlužovat na více než 20 minut.*

Upozornění: Nedoporučuje se dvakrát ohřívat mateřské mléko, protože se v mléku začnou vyvíjet bakterie.

- 3** Před krmením dítěte vždy zkontrolujte teplotu mléka. Jemně rozviřte mléko ve skladovací nádobě na mléko a zkontrolujte teplotu mléka nastříkáním několika kapek na vnitřní stranu zápěstí (Obr. 12).
- 4** Odpojte přístroj ze zásuvky a vylijte ohřivač kojeneckých lahví (Obr. 13).



### Bezprostřední opětovné použití ohřívače kojeneckých lahví s další lahví

Pokud chcete hned ohřát další lahev, nechte ohřívač kojeneckých lahví několik minut vychladnout. Abyste tento proces urychlili, naplňte ohřívač kojeneckých lahví čerstvou studenou vodou. Když ohřívač kojeneckých lahví zapnete, ukazatel průběhu začne blikat směrem ode dna nahoru na znamení, že se zařízení opět zahřívá.

*Poznámka: Pokud ukazatel průběhu svítí, ale neblinká, je ohřívač kojeneckých lahví stále příliš teplý na to, aby bylo možné ohřívát další lahev. Ohřívač kojeneckých lahví vypněte, nechte několik minut vychladnout a nezapomeňte jej naplnit čerstvou studenou vodou.*

### Jak ohřát dětskou stravu v ohřívači kojeneckých lahví

- 1** Zapojte zástrčku do zásuvky (Obr. 3).
- 2** Vložte nádobu nebo sklenici s dětskou stravou do středu ohřívače kojeneckých lahví (Obr. 15).

*Poznámka: Víčko nádoby nebo sklenice s dětskou stravou můžete nechat stranou, abyste mohli dětskou stravu během ohřívání zamíchat.*

- 3** Nalijte do ohřívače kojeneckých lahví **stejné** množství pitné vody, jako je množství ohříváné dětské stravy (chcete-li například ohřát 125 ml, je třeba použít 125 ml pitné vody). Chcete-li ohřát velké množství dětské stravy, je maximální hladina vody přibližně 1 cm pod okrajem ohřívače kojeneckých lahví (což odpovídá nalití 160 ml pitné vody). Přesná hladina vody zajišťuje správné ohřívání. (Obr. 16)
- 4** Vyberte nastavení ohřevu dětské stravy (Obr. 17).
- 5** Zapněte přístroj stisknutím vypínače. Světlo na ukazateli průběhu ukazuje, že ohřívač kojeneckých lahví je zapnutý (Obr. 18).

## 44 ČEŠTINA

*Poznámka: Ohříváč kojeneckých lahví zahájí ohřívání ihned poté, co stisknete tlačítko. Vzhledem k velké různorodosti konzistence dětské stravy není možné, aby přístroj přesně zjistil, jak dlouho je třeba dětskou stravu ohřívát.*

- 6** Ukazatel průběhu se postupně zaplní bílým světlem podle průběhu procesu ohřívání. Během procesu ohřívání nevyjímejte skleničku či nádobu z ohříváče kojeneckých lahví, ale zamíchejte dětskou stravu, když je sklenička nebo nádoba ještě v ohříváči kojeneckých lahví (Obr. 19).

*Poznámka: Dětskou stravu můžete začít míchat, jakmile se trvale rozsvítí druhý segment ukazatele průběhu. Míchání do té doby není účinné, protože teplota dětské stravy je stále příliš nízká.*

Upozornění: Během ohřívání nevyjímejte nádobu či skleničku z ohříváče kojeneckých lahví.

- 7** Když se trvale rozsvítí celý ukazatel průběhu, dětská strava dosáhla požadované teploty.

*Poznámka: Vzhledem k velké různorodosti konzistence dětské stravy se důrazně doporučuje průběžné míchání a kontrola teploty dětské stravy při ohřívání, abyste dosáhli optimálního výsledku.*

- Jakmile je dětská strava teplá, můžete nádobu nebo skleničku s dětskou stravou vyjmout z ohříváče kojeneckých lahví a ihned nakrmit dítě (viz část „Bezprostřední krmení dítěte“) nebo ji můžete uchovat teplou v ohříváči kojeneckých lahví (viz část „Uchovávání teplé dětské stravy“).

### **Zvýšení teploty dětské stravy**

- 1** Po ohřátí dětskou stravu vždy ochutnejte, abyste se ujistili, že není příliš horká. Pokud chcete, aby byla dětská strava teplejší, vložte nádobu zpět do ohříváče kojeneckých lahví a ponechte ji tam nějaký čas v režimu udržování teploty. Dětskou stravu stále míchejte (Obr. 15).

- 2** Pokud jste právě ohřívač kojeneckých lahví vypnuli nebo pokud se právě vypnul automaticky, znovu jej zapněte, aniž byste z něho odstraňovali teplou vodu, a postupujte podle výše uvedeného kroku (Obr. 18).
- 3** Ohřívač kojeneckých lahví se v režimu udržování teploty automaticky vypne po 20 minutách (Obr. 20).

### Bezprostřední krmení dítěte

- 1** Vypněte přístroj stisknutím vypínače a vyjměte nádobu nebo sklenici s dětskou stravou (Obr. 18).
- 2** Po ohřátí dětskou stravu ochutnejte, abyste se ujistili, že není příliš horká (Obr. 21).
- 3** Odpojte přístroj ze zásuvky a vylijte ohřívač kojeneckých lahví (Obr. 13).

### Uchovávání teplé dětské stravy

- 1** Když dětská strava dosáhne požadované teploty, ohřívač kojeneckých lahví se automaticky přepne do režimu udržování teploty. V tomto režimu se dětská strava uchovává při požadované teplotě po dobu 20 minut (Obr. 22).
- 2** Ohřívač kojeneckých lahví se automaticky vypne po 20 minutách. Ukazatel průběhu se vypne na znamení, že dětská strava se již neuchovává při požadované teplotě (Obr. 20).

*Poznámka: Chcete-li podat dítěti stravu při nastavené teplotě, je třeba vyjmout dětskou stravu z ohřívače kojeneckých lahví a nakrmit dítě ihned poté, co se ohřívač kojeneckých lahví vypne. Pokud tak neučiníte, dětská strava pomalu vychladne.*

*Poznámka: Režim udržování teploty v ohřívači kojeneckých lahví nelze prodlužovat na více než 20 minut.*

- 3** Než budete dítě krmit, vždy zkontrolujte teplotu dětské stravy. Dětskou stravu v nádobě nebo sklenici zlehka zamíchejte a ochutnejte, abyste se ujistili, že není příliš horká (Obr. 21).

## 46 ČEŠTINA

- 4** Odpojte přístroj ze zásuvky a vylijte ohřivač kojeneckých lahví (Obr. 13).

### **Bezprostřední opětovné použití ohřivače kojeneckých lahví pro další nádobu s dětskou stravou**

Pokud chcete ihned ohřát další nádobu nebo sklenici s dětskou stravou, nechte ohřivač kojeneckých lahví několik minut vychladnout. Abyste tento proces urychlili, naplňte ohřivač kojeneckých lahví čerstvou studenou vodou. Když ohřivač kojeneckých lahví zapnete, ukazatel průběhu začne blikat směrem ode dna nahoru na znamení, že se zařízení opět zahřívá.

*Poznámka: Pokud ukazatel průběhu svítí, ale neblíká, je ohřivač kojeneckých lahví stále příliš teplý na to, aby bylo možné ohřívát další nádobu nebo sklenici s dětskou stravou. Ohřivač kojeneckých lahví vypněte, nechte několik minut vychladnout a nezapomeňte jej naplnit čerstvou studenou vodou.*

### **Nastavení rozmrazování**

---

Při tomto nastavení je možné rozmrazovat mražené mléko nebo dětskou stravu. Postupujte podle kroků uvedených v části „Jak ohřát mléko v ohřivači kojeneckých lahví“ nebo „Jak ohřát dětskou stravu v ohřivači kojeneckých lahví“. Ukazatel průběhu začne blikat, až bude přístroj v nastavení rozmrazování. Ukazatel průběhu se postupně zaplní bílým světlem podle průběhu procesu rozmrazování. Když se trvale rozsvítí celý ukazatel průběhu, jsou mléko nebo dětská strava úplně rozmrazené.

Nastavení rozmrazování rozmrazí mléko nebo dětskou stravu, ale neohřeje je. Pokud chcete mléko nebo dětskou stravu po rozmrazení ohřát, nejprve zařízení vypněte, poté vyberte požadované nastavení ohřevu a přístroj opět zapněte.

## Čištění přístroje a odstranění vodního kamene

### Čištění

- 1 Po každém použití ohřívač kojeneckých lahví odpojte ze zásuvky a nechte jej vychladnout (Obr. 23).
- 2 Z hygienických důvodů vylijte z ohřívače kojeneckých lahví vodu (Obr. 24).
- 3 Vnější i vnitřní stranu ohřívače kojeneckých lahví očistěte vlhkým hadříkem (Obr. 25).

Nečistěte ohřívač kojeneckých lahví abrazivními prostředky, antibakteriálními čisticími prostředky, chemickými rozpouštědly ani ostrými nástroji.

*Poznámka: Pokud jste ohřívač kojeneckých lahví použili k ohřevu nádob s dětskou stravou, zkontrolujte, zda v ohřívači kojeneckých lahví není rozlitý zbytek pokrmu.*

### Odstraňování vodního kamene

Doporučuje se odstraňovat vodní kámen z ohřívače kojeneckých lahví každé **čtyři týdny**, abyste zajistili další efektivní fungování přístroje.

- 1 Pokud chcete z ohřívače kojeneckých lahví odstranit vodní kámen, smíchejte 50 ml bílého octa se 100 ml studené vody. Nejprve zvolte nastavení rozmrazování, poté ohřívač kojeneckých lahví zapněte a nechte přístroj pracovat po dobu 10 minut. Roztok v ohřívači kojeneckých lahví ponechte, dokud se nerozpustí všechny vodní kámen. (Obr. 26)

*Poznámka: Můžete rovněž použít prostředky na odstranění vodního kamene na bázi kyseliny citronové.*

*Poznámka: Jiné prostředky na odstranění vodního kamene nepoužívejte.*

- 2 Než ohřívač kojeneckých lahví vylijete, odpojte jej ze zásuvky (Obr. 23).

## 48 ČEŠTINA

- 3 Ohřívač kojeneckých lahví vyprázdněte a vnitřek důkladně opláchněte. Pokud se po opláchnutí přesto objevují stopy vodního kamene, opakujte postup odstranění vodního kamene (Obr. 24).

### Recyklace

- Tento symbol na výrobku znamená, že se na něj vztahuje evropská směrnice 2012/19/EU. Zjistěte si informace o místním systému sběru tříděného odpadu elektrických a elektronických výrobků. Dodržujte místní předpisy a nikdy nelikvidujte výrobek společně s běžným domácím odpadem. Správnou likvidací starých výrobků pomůžete předejít negativním dopadům na životní prostředí a lidské zdraví. (Obr. 27)

### Záruka a podpora

Více informací a podpory naleznete na adrese **[www.philips.com/support](http://www.philips.com/support)** nebo samostatném záručním listu s celosvětovou platností.

## Üldine kirjeldus (Jn 1)

1. Beebipudeli soojendaja
2. Edenemisenäidik
3. Seaded ja toitenupp
4. Sulatamiseseade
5. Piima soojendamise seade 1
6. Piima soojendamise seade 2
7. Piima soojendamise seade 3
8. Beebitoidu soojendamise seade
9. Toitenupp

## Tähtis

Philipsi pakutava tooteto eeliste täielikuks kasutamiseks registreerige oma seade veebilehel **[www.philips.com/welcome](http://www.philips.com/welcome)**. Enne lutipudeli soojendaja kasutamist lugege seda kasutusjuhendit hoolikalt ja hoidke see edaspidiseks alles.

### Oht

- Ärge kastke seadet vette ega muudesse vedelikesse ega loputage seda kraani all.

### Hoiatus

- Kasutage seadet ainult siseruumides.
- Seda seadet võivad kasutada füüsiliste, sensoorsete või vaimsete puuetega isikud või puuduvate kogemuste ja teadmisteta inimesed ainult järelevalve all või juhul, kui neile on antud juhendid seadme ohutu kasutamise kohta ja nad mõistavad sellega seotud ohte.

## 50 EESTI

- Lapsed ei tohi seadet puhastada ega hooldada.
- Lapsed ei tohi seda seadet kasutada. Hoidke seade ja selle toitejuhe lastele kättesaamatus kohas.
- Lapsed ei tohi seadmega mängida.
- Ärge kastke toitejuhet, pistikut või seadet vette või muude vedelike sisse.
- Ärge laske toitejuhtmel rippuda üle laua või tööpinna serva. Liigset juhtmeosa tuleks hoida lutipudeli soojendaja alusel, et tagada seadme stabiilsus.
- Hoidke toitejuhe tulistest pindadest eemal.
- Ühendage seade ainult maandatud seinakontakti. Veenduge alati, et pistik oleks kindlalt seinakontakti sisestatud.
- Kontrollige enne sisselülitamist seadme all olevalt andmesildilt, kas kohalik võrgupinge vastab seadme nimipingele.
- Kui peate kasutama pikendusjuhet, veenduge, et tegemist oleks maandusega pikendusjuhtmega, mille pinge on vähemalt 13 amprit.
- Ärge kasutage seadet, kui selle pistik, toitejuhe või seade ise on kahjustatud. Kui toitejuhe on kahjustatud, tuleb lasta see ohu vältimiseks Philipsis, Philipsi



volitatud hoolduskeskuses või samaväärset kvalifikatsiooni omavatel isikutel välja vahetada.

- Ärge asetage seadet kuuma gaasi- või elektripliidi peale või lähedusse ega kuuma ahju.
- Ärge eelsoojendage seadet.
- Pange täielikult kokku pandud korgiga pudel lutipudeli soojendajasse alati enne vee lisamist.
- Veenduge, et lisate enne lutipudeli soojendaja sisselülitamist vett.
- Kuum vesi võib põhjustada tõsiseid põletusi. Olge ettevaatlik lutipudeli soojendaja käsitlemisel, kui selles on kuum vesi.
- Seadme ligipääsetavad pinnad võivad kasutuse käigus kuumeneda.
- Ärge liigutage seadet, kui selles on kuum vesi.
- Enne toitmist kontrollige alati beebitoidu temperatuuri.

### **Ettevaatust**

- See seade on mõeldud kasutamiseks kodus ja sarnastes tingimustes, nt talumajapidamised, kodumajutuse tüüpi asutused, poodide, kontorite jm töökeskkondade töötajate köögid, ning hotellide, motellide jm majutusasutuste klientide poolt.
- Eemaldage seade elektrivõrgust, kui seda ei kasutata.
- Lutipudeli soojendaja stabiilsuse tagamiseks hoidke liigset juhtmeosa alusel.
- Laske seadmel enne puhastamist maha jahtuda.
- Parandamatute kahjustuste vältimiseks järgige katlakivi eemaldamise juhiseid.
- Ärge püüdke seadet ise avada või parandada. Võite ühendust võtta oma riigi Philipsi klienditeeninduskeskusega (vt **[www.philips.com/support](http://www.philips.com/support)**).
- Toitu ei tohi liiga kaua soojendada.
- Kasutage seadet ainult käesolevas kasutusjuhendis kirjeldatu kohaselt, et vältida väärast kasutamisest tingitud võimalike vigastuste ohtu.
- Kuumutuselemendi pind on pärast kasutamist kuum.

## Elektromagnetväljad (EMF)

See Philipsi seade vastab kõikidele kokkupuudet elektromagnetiliste väljadega käsitlevatele kohaldatavatele standarditele ja õigusnormidele.

### Lutipudeli soojendaja kasutamine

Selle lutipudeli soojendajaga võite ohutult soojendada ja üles sulatada Philips Aventi lutipudelites olevat piima ja nõudes olevat piima või beebitoitu.

Lutipudeli soojendaja aitab säilitada rinnapiimas leiduvaid väärtuslikku toitaineid ja vitamiine, sest piim ei kuumene kunagi üle. Kui piim muutub liiga kuumaks, hävivad toitaineid ja vitamiinid. Rinnapiima kvaliteedi säilimise tagamiseks on oluline soojendada piima ohutult ja kontrollitult. Lutipudeli soojendaja on loodud soojendama õrnalt ja ühtlaselt ning vältima tuliseid osi, sest piim ringleb soojendamise ajal.

Ülekuumenemise vältimiseks jälgib ja kontrollib sisseehitatud andur kogu aeg piima temperatuuri.

**Märkus:** *lutipudeli soojendajas ei saa kasutada Philips Aventi rinnapiimakotte ja Philips Aventi 60 ml pudeleid.*

### Seadete selgitus

- Saate valida järgmiste seadete vahel: (Jn 2)
- sulatamiseseade: pudelis või nõus oleva külmutatud piima või beebitoidu ülessulatamiseks. Soojendamist ei toimu;
- piima soojendamise seaded: valige üks neist seadetest, kui soovite pudelis olevat piima soojendada ohutu temperatuurini. Seade 2 soojendab piima umbes kehatemperatuurini. Seade 1 soojendab piima veidi madalama temperatuurini ja seade 3 soojendab piima veidi kõrgema temperatuurini;
- beebitoidu soojendamise seade: valige see seade, kui soovite nõus või kannus olevat beebitoitu soojendada.

### Piima soojendamine lutipudeli soojendajaga

---

**1** Pange pistik pistikupessa (Jn 3).

**2** Asetage pudel lutipudeli soojendaja keskele (Jn 4).

*Märkus: Hoiunõus oleva piima soojendamisel järgige samu samme nagu pudelis oleva piima soojendamisel.*

**3** Pange lutipudeli soojendajasse soojendatava piimaga **võrdne** kogus joogivett (nt 125 ml piima soojendamiseks peate kasutama 125 ml joogivett). Kui soovite kuumutada suurt kogust piima (>180 ml), on suurim lubatud veetase umbes 1 cm lutipudeli soojendaja servast allpool (mis vastab 160 ml joogivee lisamisele). Täpne veetase tagab õige soojendamisjõudluse. (Jn 5)

**4** Valige soovitud seade (Jn 6).

*Märkus: kogemus näitab, et beebid võivad eelistada teatud temperatuuril piima. See võib olla tingitud isiklikest eelistustest või välistest teguritest (nt keskkonnatemperatuur). Kõik kolm seadet tagavad selle, et piima soojendatakse ohutu temperatuurini, mis on lapsele mugav ning säilitab piimas kõik toitained ja vitamiinid.*

**5** Seadme sisselülitamiseks vajutage toitenuppu. Nupu tule süttimine annab märku, et lutipudeli soojendaja on sisse lülitatud (Jn 7).

*Märkus: lutipudeli soojendaja hakkab soojendama kohe pärast nupuvajutust.*

**6** Edenemisnäidik hakkab järk-järgult täituma valge valgusega, mis näitab piima soojendamisprotsessi edenemist (Jn 8).

*Märkus: edenemisnäidik näitab piima soojendamisprotsessi edenemist. Edenemisnäidik hakkab seadme sisselülitamisel vilkuma. Kui esimene soojendamisfaas on lõppenud, jääb alumine segment püsivalt põlema ja vilkuma hakkab järgmine segment, andes märku, et teine soojendamisfaas on pooleli. Need sammud jätkuvad kuni kolmanda*

soojendamisfaasi lõpuni. Nüüd jääb kogu edenemisnäidik püsivalt põlema.

*Märkus: ühtlase soojenemise tagamiseks ringleb piim soojendamise ajal. 90 ml toatemperatuuril oleva piima soojendamiseks kulub umbes 10 minutit. Külma piima või suure piimakoguse soojendamiseks läheb veidi rohkem aega.*

Ettevaatust: ärge võtke pudelit lutipudeli soojendajast välja, kui edenemisnäidik vilgub.

- 7** Kui kogu edenemisnäidik jääb püsivalt põlema, on piim saavutanud seadistatud temperatuuri.
- Kui piim on soe, saate pudeli lutipudeli soojendajast lapse koheseks toitmiseks välja võtta (vt lõiku „Beebi kohene toitmine”) või hoida seda lutipudeli soojendajas soojana (vt lõiku „Piima soojana hoidmine”).

### **Piima temperatuuri suurendamine**

- 1** Kui soovite soojemat piima, võite piima temperatuuri järk-järgult suurendada, kuni see on valmis, lülitades piima soojendamise seadele nr 3 ja jättes pudeli seadmesse soojana hoidmise režiimile (Jn 9).
- 2** Kui lülitasite lutipudeli soojendaja välja või kui see lülitus automaatselt välja, lülitage see uuesti sisse, ilma sellest sooja vett eemaldamata, ja järgige eespool kirjeldatud sammu (Jn 10).
- 3** Beebipudeli soojendaja lülitub pärast 20 minutit kestnud soojana hoidmise režiimi automaatselt välja (Jn 11).

### **Beebi kohene toitmine**

- 1** Seadme väljalülitamiseks vajutage toitenuppu ja võtke piimapudel välja (Jn 10).
- 2** Kontrollige alati enne toitmist piima temperatuuri. Loksutage õrnalt pudelis olevat piima ja kontrollige piima temperatuuri, tilgutades paar tilka oma randme siseküljele (Jn 12).

## 56 EESTI

- 3** Võtke seade elektrivõrgust välja ja tühjendage lutipudeli soojendaja (Jn 13).

### Piima soojana hoidmine

- 1** Kui piim on saavutanud soovitud temperatuuri, lülitub lutipudeli soojendaja automaatselt soojana hoidmise režiimile. Selles režiimis hoitakse piima 20 minutit seadistatud temperatuuril (Jn 14).
- 2** Lutipudeli soojendaja lülitub 20 minuti pärast automaatselt välja. Edenemisnäidiku väljalülitumine annab märku, et piima ei hoita enam soovitud temperatuuril (Jn 11).

*Märkus: Kui soovite oma beebile anda seadistatud temperatuuril piima, peate piimapudeli lutipudeli soojendajast välja võtma ja beebit piimaga toitma kohe pärast lutipudeli soojendaja väljalülitumist; vastasel juhul piim jahtub maha.*

*Märkus: te ei saa pikendada lutipudeli soojendaja soojana hoidmise režiimi üle 20 minuti.*

Ettevaatust: Rinnapiima pole soovitatav kaks korda ülessoojendada, sest piimas hakkavad arenema bakterid.

- 3** Kontrollige alati enne toitmist piima temperatuuri. Loksutage õrnalt pudelis või hoiunõus olevat piima ja kontrollige piima temperatuuri, tilgutades paar tilka oma randme siseküljele (Jn 12).
- 4** Võtke seade elektrivõrgust välja ja tühjendage lutipudeli soojendaja (Jn 13).

### Beebipudeli soojendaja kohene uuesti kasutamine veel ühe pudeli soojendamiseks

Kui soovite kohe veel üht pudelit soojendada, laske lutipudeli soojendajal mõni minut jahtuda. Toimingu kiirendamiseks täitke lutipudeli soojendaja värske külma veega. Kui lülitate lutipudeli soojendaja sisse, hakkab edenemisnäidik alt üles vilkuma, näidates, et seade kuumeneb uuesti.

*Märkus: kui edenemisnäidik põleb, kuid ei vilgu, on lutipudeli soojendaja veel liiga soe järgmise pudeli soojendamiseks. Lülitage lutipudeli soojendaja välja, laske sel mõni minut jahtuda ja veenduge, et täitsite selle värske külma veega.*

### **Beebitoidu soojendamine lutipudeli soojendajaga**

- 1** Pange pistik pistikupessa (Jn 3).
- 2** Pange beebitoidu nõu või kann lutipudeli soojendaja keskele (Jn 15).

*Märkus: võite jätta toidunõule või -kannule kaane peale panemata, nii saate toitu soojendamise ajal segada.*

- 3** Pange lutipudeli soojendajasse soojendatava beebitoiduga **võrdne** kogus joogivett (nt 125 ml beebitoidu soojendamiseks peate kasutama 125 ml joogivett). Kui soovite kuumutada suurt kogust beebitoitu (>180 ml), on suurim lubatud veetase umbes 1 cm lutipudeli soojendaja servast allpool (mis vastab 160 ml joogivee lisamisele). Täpne veetase tagab õige soojendamisjõudluse (Jn 16)
- 4** Valige beebitoidu soojendamise seade (Jn 17).
- 5** Seadme sisselülitamiseks vajutage toitenuppu. Edenemisnäidiku tule süttimine annab märku, et lutipudeli soojendaja on sisse lülitatud (Jn 18).

*Märkus: lutipudeli soojendaja hakkab soojendama kohe pärast nupu vajutamist. Beebitoitude väga erineva konsistentsi tõttu ei ole seadmel võimalik täpselt tuvastada, kui kaua tuleks beebitoitu soojendada.*

- 6** Edenemisnäidik hakkab järk-järgult täituma valge valgusega, mis näitab soojendamisprotsessi edenemist. Ärge võtke kannu või nõud soojendamise ajal lutipudeli soojendajast välja, vaid segage beebitoitu, kui kann või nõu on veel lutipudeli soojendajas (Jn 19).

## 58 EESTI

*Märkus: toitu võite hakata segama, kui edenemisnäidiku teine segment jääb püsivalt põlema. Enne seda pole segamisest kasu, sest toidu temperatuur on veel liiga madal.*

Ettevaatust: Ärge võtke toidunõud või -kannu lutipudeli soojendajast soojendamise ajal välja.

- 7** Kui kogu edenemisnäidik jääb püsivalt põlema, on beebitoit saavutanud soovitud temperatuuri.

*Märkus: Beebitoitude väga erineva konsistentsi tõttu soovitame tungivalt parima tulemuse saamiseks soojendamise ajal beebitoitu pidevalt segada ja selle temperatuuri kontrollida.*

- Kui beebitoit on soe, võite beebitoidu nõu või kannu lutipudeli soojendajast välja võtta ja beebit koheselt toitma hakata (vt lõiku „Beebi kohene toitmine”) või hoida seda lutipudeli soojendajas soojana (vt lõiku „Beebitoidu soojana hoidmine”).

### **Beebitoidu temperatuuri suurendamine**

- 1** Alati maitse beebitoitu pärast ülessoojendamist, et veenduda, kas see pole liiga kuum. Kui soovite, et beebitoit oleks soojem, pange nõu tagasi lutipudeli soojendajasse ja jätke see sinna veidikeseks ajaks soojana hoidmise režiimile. Jätkake beebitoidu segamist (Jn 15).
- 2** Kui lülitasite lutipudeli soojendaja välja või kui see lülitus automaatselt välja, lülitage see uuesti sisse, ilma sellest sooja vett eemaldamata, ja järgige eespool kirjeldatud sammu (Jn 18).
- 3** Beebipudeli soojendaja lülitub pärast 20 minutit kestnud soojana hoidmise režiimi automaatselt välja (Jn 20).

### **Beebi kohene toitmine**

- 1** Seadme väljalülitamiseks ning beebitoidu nõu või kannu väljavõtmiseks vajutage toitenuppu (Jn 18).



- 2 Pärast soojendamist maitske beebitoitu, et veenduda, kas see pole liiga kuum (Jn 21).
- 3 Võtke seade elektrivõrgust välja ja tühjendage lutipudeli soojendaja (Jn 13).

#### **Beebitoidu soojana hoidmine**

- 1 Kui beebitoit on saavutanud soovitud temperatuuri, lülitub lutipudeli soojendaja automaatselt soojana hoidmise režiimile. Selles režiimis hoitakse beebitoitu 20 minutit soovitud temperatuuril (Jn 22).
- 2 Lutipudeli soojendaja lülitub 20 minuti pärast automaatselt välja. Edenemisnäidiku väljalülitumine annab märku, et beebitoitu ei hoita enam soovitud temperatuuril (Jn 20).

*Märkus: kui soovite toita oma beebit seadistatud temperatuuril beebitoiduga, peate beebitoidu lutipudeli soojendajast välja võtma ja beebit sellega toitma kohe pärast lutipudeli soojendaja väljalülitumist. Kui te seda ei tee, jahtub beebitoit aeglaselt maha.*

*Märkus: te ei saa pikendada lutipudeli soojendaja soojana hoidmise režiimi üle 20 minuti.*

- 3 Enne toitmist kontrollige alati beebitoidu temperatuuri. Segage õrnalt beebitoidu nõus või kannus olevat beebitoitu ning maitske seda, et veenduda, kas see pole liiga kuum (Jn 21).
- 4 Võtke seade elektrivõrgust välja ja tühjendage lutipudeli soojendaja (Jn 13).

#### **Lutipudeli soojendaja kohene uuesti kasutamine veel ühe beebitoidu nõu soojendamiseks**

Kui soovite kohe veel üht beebitoidu nõud või kannu soojendada, laske lutipudeli soojendajal mõni minut jahtuda.

## 60 EESTI

Toimingu kiirendamiseks täitke lutipudeli soojendaja värske külma veega. Kui lülitate lutipudeli soojendaja sisse, hakkab edenemisnäidik alt üles vilkuma, näidates, et seade kuumeneb uuesti.

*Märkus: kui edenemisnäidik põleb, kuid ei vilgu, on lutipudeli soojendaja veel liiga soe järgmise beebitoidu nõu või kannu soojendamiseks. Lülitage lutipudeli soojendaja välja, laske sel mõni minut jahtuda ja veenduge, et täitsite selle värske külma veega.*

### **Sulatamiseade**

---

Selle seade juures saate külmutatud piima ja beebitoidu üles sulatada. Järgige lõikudes „Piima soojendamine lutipudeli soojendajaga” või „Beebitoidu soojendamine lutipudeli soojendajaga” toodud samme.

Edenemisnäidik hakkab seadme sisselülitamisel vilkuma. Edenemisnäidik täitub järk-järgult valge valgusega, näidates sulatamisprotsessi edenemist. Piim või beebitoit on täielikult üles sulanud, kui kogu edenemisnäidik jääb püsivalt põlema. Sulatamiseade sulatab piima või beebitoidu üles, kuid ei soojenda seda. Kui soovite piima või beebitoidu pärast sulatamist soojendada, lülitage seade kõigepealt välja, seejärel valige soovitud soojendamiseade ja lülitage seade uuesti sisse.

## Puhastamine ja katlakivi eemaldamine

### Puhastamine

- 1 Pärast iga kasutuskorda eemaldage lutipudeli soojendaja elektrivõrgust ja laske sel maha jahtuda (Jn 23).
- 2 Hügieenilistel põhjustel peaks lutipudeli soojendajast vee eemaldama (Jn 24).
- 3 Pühkige lutipudeli soojendajat seest ja väljast niiske lapiga (Jn 25).

Ärge kasutage abrasiivseid, antibakteriaalseid puhastusvahendeid, keemilisi lahusteid ega teravaid tööriistu lutipudeli soojendaja puhastamiseks.

*Märkus: Kui kasutasite lutipudeli soojendajat nõus oleva beebitoidu soojendamiseks, veenduge, et lutipudeli soojendaja põhja ei jääks mahaloksunud beebitoitu.*

### Katlakivi eemaldamine

Katlakivi on soovitatav lutipudeli soojendajast eemaldada iga nelja nädala järel, et seade töötaks endiselt tõhusalt.

- 1 Lutipudeli soojendajast katlakivi eemaldamiseks segage 50 ml valget äädikat 100 ml külma veega. Kõigepealt valige sulatamiseade, seejärel lülitage lutipudeli soojendaja sisse ja laske seadmel 10 minutit töötada. Jätke lahus lutipudeli soojendajasse, kuni katlakivi on lahustunud. (Jn 26)

*Märkus: võite kasutada ka sidrunhappepõhiseid katlakivieemaldajaid.*

*Märkus: ärge kasutage muud tüüpi katlakivieemaldajaid.*

- 2 Enne tühjendamist eemaldage lutipudeli soojendaja elektrivõrgust (Jn 23).
- 3 Tühjendage lutipudeli soojendaja ja loputage selle sisemust põhjalikult. Kui katlakivijäljed on pärast loputamist ikka näha, korrake katlakivi eemaldamise toimingut (Jn 24).

## 62 EESTI

### Ringlussevõtt

- See tootel olev sümbol tähendab, et tootele kehtib Euroopa Liidu direktiiv 2012/19/EL. Viige ennast kurssi elektriliste ja elektrooniliste toodete lahuskogumise kohaliku süsteemiga. Järgige kohalikke eeskirju ja ärge visake seda toodet tavaliste olmejäätmete hulka. Kasutatud toodete õigel viisil kasutusest kõrvaldamine aitab ära hoida võimalikke kahjulikke tagajärgi keskkonnale ja inimese tervisele. (Jn 27)

### Garantii ja tugi

Kui vajate teavet või abi, külastage Philipsi veebilehte **[www.philips.com/support](http://www.philips.com/support)** või lugege läbi üleilmne garantiileht.

**Általános leírás (ábra 1)**

1. Cumisüveg-melegítő
2. Folyamatkijelző funkció
3. Beállítások és be/ki gomb
4. Kiolvasztás beállítás
5. 1. tejmelegítés beállítás
6. 2. tejmelegítés beállítás
7. 3. tejmelegítés beállítás
8. Bébiétel-melegítés beállítás
9. Be-/kikapcsoló gomb

**Fontos!**

A Philips által biztosított teljes körű támogatáshoz regisztrálja készülékét a **[www.philips.com/welcome](http://www.philips.com/welcome)** weboldalon.

A cumisüveg-melegítő első használata előtt figyelmesen olvassa el a használati útmutatót, és őrizze meg későbbi használatra.

**Vigyázat!**

- Ne merítse a készüléket vízbe vagy más folyadékba, és ne öblítse le folyóvíz alatt.

**Figyelmeztetés**

- A készüléket kizárólag beltéren használja.
- A készüléket csökkent fizikai, érzékelési vagy szellemi képességekkel rendelkező, vagy a készülék működtetésében járatlan személyek is használhatják, amennyiben ezt felügyelet mellett teszik, illetve ismerik

## 64 MAGYAR

- a készülék biztonságos működtetésének módját és az azzal járó veszélyeket.
- Gyermek nem tisztíthatja a készüléket és nem végezhet felhasználoi karbantartást rajta.
  - A készüléket gyermekek nem használhatják. A készüléket és a vezetéket tartsa gyermekektől távol.
  - Ne engedje, hogy gyermekek játsszanak a készülékkel.
  - Ne merítse a vezetéket, a csatlakozót vagy a készüléket vízbe vagy más folyadékba.
  - Ügyeljen arra, hogy a hálózati kábel ne lógjon le az asztalról vagy a munkafelületről. A felesleges kábel a cumisüveg-melegítő alapegységében tárolható, hogy biztosítsa a készülék stabilitását.
  - Tartsa a hálózati kábelt távol a forró felületektől.
  - Kizárólag földelt fali aljzathoz csatlakoztassa a készüléket. Ellenőrizze, hogy megfelelően csatlakoztatta-e a hálózati kábelt az aljzatba.
  - Mielőtt a készüléket a fali aljzathoz csatlakoztatja, ellenőrizze, hogy a

- készülék alján feltüntetett feszültség egyezik-e a helyi hálózati feszültséggel.
- Amennyiben hosszabbítóra van szüksége, ügyeljen arra, hogy földelt és legalább 13 amper osztályzatút használjon.
  - Ne használja a készüléket, ha a hálózati kábel, a csatlakozódugó, illetve maga a készülék károsodott. Ha a hálózati kábel sérült, az egészségügyi kockázatok elkerülése érdekében Philips szakszervizben vagy hivatalos szakszervizben ki kell cserélni.
  - Ne helyezze a készüléket forró gáz- vagy elektromos tűzhelyre vagy annak közelébe, illetve forró sütőbe.
  - Ne melegítse elő a készüléket.
  - Mielőtt vizet töltene a cumisüveg-melegítőbe, mindig helyezze bele a teljesen összeállított, kupakkal ellátott cumisüveget.
  - Ügyeljen arra, hogy a cumisüveg-melegítő bekapcsolása előtt megfelelő mennyiségű víz legyen benne.
  - A forró víz súlyos égési sérülést okozhat. Legyen óvatos, ha a cumisüveg-melegítőben forró víz van.

## 66 MAGYAR

- Előfordulhat, hogy használat közben a készülék hozzáférhető felületei felhevülnek.
- Ne mozgassa a forró vizet tartalmazó készüléket!
- A gyermeke etetésének megkezdése előtt mindig ellenőrizze a bébiétel hőmérsékletét.

### **Figyelmeztetés!**

- Ez a készülék háztartási vagy hasonló felhasználási helyszínekre ajánlott, mint például: üzletek, irodák és más, munkahelyen található személyzeti konyhák; nyaralók; hotelek, motelek és más hasonló típusú környezetek; „szoba reggelivel” típusú vendéglátói környezetek.
- A használaton kívüli készüléket csatlakoztassa le a hálózati aljzatról.
- A felesleges kábelt a cumisüveg-melegítő alapegységében tárolja, hogy biztosítsa a cumisüveg-melegítő stabilitását.
- Tisztítás előtt hagyja teljesen kihűlni a készüléket.
- A nem javítható károsodás elkerülése érdekében kövesse a vízkömentesítési útmutatót.



- Ne próbálja önállóan felnyitni vagy megjavítani a készüléket. Forduljon a helyi Philips ügyfélszolgálathoz (lásd: **www.philips.com/support**).
- Ne melegítse túl az ételt.
- A nem megfelelő használatból adódó lehetséges sérülések elkerülése érdekében a készüléket csak a használati útmutatóban leírtak szerint használja.
- A fűtőelem felülete a használatot követően is forró maradhat.

#### **Elektromágneses mezők (EMF)**

Ez a Philips készülék az elektromágneses terekre érvényes összes vonatkozó szabványnak és előírásnak megfelel.

#### **A cumisüveg-melegítő használata**

Ezzel a cumisüveg-melegítővel biztonságosan melegítheti és olvaszthatja ki a Philips Avent cumisüvegekben tárolt tejet, valamint egyéb edényekben tárolt tejet vagy bébiételt. A cumisüveg-melegítő hozzájárul az anyatejben található értékes tápanyagok és vitaminok megőrzéséhez, mivel soha nem hevíti túl a tejet. Ha a tej túlságosan felmelegszik, a tápanyagok és vitaminok veszítenek az értékükből. Az anyatej minőségének megőrzése érdekében fontos, hogy a tej biztonságosan és szabályozott módon legyen felmelegítve. A cumisüveg-melegítőt a kíméletes és egyenletes melegítésre tervezték, illetve arra, hogy elkerülje a forró pontokat azáltal, hogy keringeti a tejet melegítés közben. A beépített érzékelő ellenőrzi a tej hőmérsékletét, így mindig megakadályozza a túlmelegítést.

## 68 MAGYAR

*Megjegyzés: A Philips Avent anyatejtasakok és a Philips Avent 60 ml-es cumisüvegek nem használhatók ezzel a cumisüveg-melegítővel.*

### A beállítások magyarázata

---

- A következő beállítások közül választhat: (ábra 2)
- Kiolvasztás beállítás: cumisüvegben vagy más edényben tárolt lefagyasztott tej vagy lefagyasztott bébiétel kiolvasztása. Nem történik melegítés.
- Tejmelegítési beállítások: Válassza az alábbi beállítások valamelyikét, amikor egy üveg tejet biztonságos hőmérsékletre kíván melegíteni. A 2-es beállítás a tejet körülbelül testhőmérsékletűre melegíti. Az 1-es beállítás a tejet valamivel alacsonyabb, a 3-as beállítás pedig valamivel melegebb hőmérsékletre melegíti.
- Bébiétel-melegítési beállítás: Válassza ezt a beállítást, ha bébiételt tartalmazó tartóedényt/üveget szeretne felmelegíteni.

### A cumisüveg-melegítő használata tej melegítésére

---

- 1** Dugja a hálózati csatlakozódugót a fali konnektorba (ábra 3).
- 2** Helyezze az üveget a cumisüveg-melegítő közepére (ábra 4).

*Megjegyzés: Tejtároló edényben lévő tej melegítéséhez kövesse ugyanazokat a lépéseket, amelyek a tej üvegben történő melegítésére vonatkoznak.*

- 3** Töltse fel a cumisüveg-melegítőt **ugyanannyi** mennyiségű ivóvízzel, mint amennyi tejet melegíteni kíván (például 125 ml tej melegítéséhez 125 ml ivóvizet kell felhasználnia). Ha nagy mennyiségű tejet kíván melegíteni (180 ml felett), a maximális vízszintet használja, amely a cumisüveg-melegítő pereme alatt körülbelül 1 cm-rel van (ami 160 ml ivóvíz hozzáadásának felel meg). A pontosan meghatározott vízszinttel biztosítható a megfelelő melegítés. (ábra 5)

**4** Válassza ki a kívánt beállítást (ábra 6).

*Megjegyzés: A tapasztalatok azt mutatják, hogy a babák a tejet gyakran határozottan jobban szeretik egy adott hőmérsékleten. Ez fakadhat személyes ízlésből vagy külső tényezőkből is (pl. környezeti hőmérséklet). Mindhárom beállítás biztosítja, hogy a tej biztonságos hőmérsékletre lesz felmelegítve, ami kényelmes a babának, valamint segít megőrizni a tejben található tápanyagokat és vitaminokat.*

**5** Kapcsolja be a készüléket a be-/kikapcsológombbal. A gombban található jelzőfény elkezd világítani, jelezve, hogy a cumisüveg-melegítő be van kapcsolva (ábra 7).

*Megjegyzés: A cumisüveg-melegítő azonnal elkezdi a melegítést, miután Ön megnyomta a gombot.*

**6** A folyamatkijelző fokozatosan töltődik fel fehér fénnel, jelezve a tejmelegítési folyamat előrehaladtát (ábra 8).

*Megjegyzés: A folyamatkijelző jelzi a tejmelegítési folyamat előrehaladtát. Elkezd villogni, amikor a készülék be van kapcsolva. Amikor az első melegítési szakasz befejeződött, az alsó rész folyamatosan világít, és a következő rész kezd el villogni, jelezve, hogy a második melegítési szakasz van folyamatban. Ezek a lépések folytatódnak, amíg véget nem ér a harmadik melegítési szakasz is. Ekkor az egész folyamatkijelző folyamatosan világít.*

*Megjegyzés: A melegítési folyamat alatt a tej cirkulál az egyenletes melegítés biztosítása érdekében. Körülbelül 10 percet vesz igénybe 90 ml szobahőmérsékletű tej felmelegítése. Valamennyivel több idő szükséges hideg vagy nagy mennyiségű tej felmelegítéséhez.*

**Figyelmeztetés! Ne vegye ki az üveget a cumisüveg-melegítóből, amíg a folyamatkijelző villog.**

## 70 MAGYAR

**7** Amikor a teljes folyamatkijelző folyamatosan világít, akkor a tej elérte a beállított hőmérsékletet.

- Amikor a tej már meleg, kiveheti az üveget a cumisüveg-melegítőből, hogy azonnal megetesse gyermekét (lásd a „A csecsemő etetése azonnal” című részt), vagy a tejet melegen is tarthatja a cumisüveg-melegítőben (lásd „A tej melegen tartása” című részt).

### A tej hőmérsékletének növelése

- 1** Ha a melegítést követően melegebb tejet szeretne, fokozatosan növelheti a hőmérsékletét a 3. tejmelegítés beállításra kapcsolva, valamint a készülékben a melegen tartás üzemmódban hagyva az üveget (ábra 9).
- 2** Közvetlenül azután, hogy kikapcsolta a cumisüveg-melegítőt, vagy az automatikusan kikapcsolt, kapcsolja vissza anélkül, hogy eltávolítaná a meleg vizet, majd kövesse a fenti lépést (ábra 10).
- 3** A cumisüveg-melegítő automatikusan kikapcsol 20 perc melegen tartás üzemmód után (ábra 11).

### A csecsemő etetése azonnal

- 1** A be-/kikapcsológomb lenyomásával kapcsolja ki a készüléket és vegye ki a tejesüveget (ábra 10).
- 2** Etetés előtt mindig ellenőrizze a tej hőmérsékletét. Óvatosan forgassa meg a tejet az üvegben, és a tej hőmérsékletének ellenőrzéséhez cseppentsen néhány cseppet a csuklója belső oldalára (ábra 12).
- 3** Húzza ki a készülék hálózati csatlakozódugóját és ürítse ki a cumisüveg-melegítőt (ábra 13).

### A tej melegen tartása

- 1** Amikor a tej eléri a kívánt hőmérsékletet, a cumisüveg-melegítő automatikusan melegen tartási üzemmódba kapcsol. Ebben az üzemmódban a készülék a tejet 20 percig a beállított hőmérsékleten tartja (ábra 14).

- 2** A cumisüveg-melegítő 20 perc elteltével automatikusan kikapcsol. A folyamatkijelző kikapcsol, jelezve, hogy a tejet már nem tartja tovább a beállított hőmérsékleten a készülék (ábra 11).

*Megjegyzés: Ha a csecsemőjét a beállított hőmérsékletű tejjel kívánja megetetni, akkor a tejesüveget a cumisüveg-melegítő kikapcsolása után rögtön ki kell vennie a cumisüveg-melegítőből és oda kell adnia gyermekének a tejet, különben kihűl a tej.*

*Megjegyzés: A cumisüveg-melegítő melegen tartási üzemmódjának időtartama nem hosszabbítható meg 20 percnél hosszabb időre.*

Figyelmeztetés! Nem ajánlott az anyatej kétszeri felmelegítése, mivel ez esetben baktériumok kezdenek el szaporodni a tejben.

- 3** Etetés előtt mindig ellenőrizze a tej hőmérsékletét. Óvatosan forgassa meg a tejet az üvegben vagy tejtároló edényben, és a tej hőmérsékletének ellenőrzéséhez cseppentsen néhány cseppet a csuklója belső oldalára (ábra 12).
- 4** Húzza ki a készülék hálózati csatlakozódugóját és ürítse ki a cumisüveg-melegítőt (ábra 13).

### **A cumisüveg-melegítő ismételt használata egy másik üveghez**

Ha azonnal szeretne egy másik üveget is melegíteni, hagyja a cumisüveg-melegítőt néhány perccig hűlni. A folyamat felgyorsítása érdekében töltsen fel a cumisüveg-melegítőt hideg vízzel. A cumisüveg-melegítő bekapcsolását követően a folyamatkijelző alulról felfelé villogni kezd, jelezve, hogy a készülék éppen újramelegszik.

*Megjegyzés: Ha a folyamatkijelző be van kapcsolva, de nem villog, a cumisüveg-melegítő még túl meleg egy másik üveg felmelegítéséhez. Kapcsolja ki a cumisüveg-melegítőt, és hagyja hűlni néhány perccig, majd töltsen fel hideg vízzel.*

### A cumisüveg-melegítő használata bébiétel melegítésére

- 1** Dugja a hálózati csatlakozódugót a fali konnektorba (ábra 3).
- 2** Helyezze a bébiételes üveget vagy tálat a cumisüveg-melegítő közepére (ábra 15).

*Megjegyzés: A bébiételes edény vagy üveg fedelét le is veheti, így melegítés közben meg tudja keverni a bébiételt.*

- 3** Töltse fel a cumisüveg-melegítőt **ugyanannyi** mennyiségű ivóvízzel, mint amennyi bébiételt melegíteni kíván (például 125 ml bébiétel melegítéséhez 125 ml ivóvizet kell felhasználnia). Ha nagy mennyiségű bébiételt kíván melegíteni, a maximális vízszintet használja, amely a cumisüveg-melegítő pereme alatt körülbelül 1 cm-rel van (ami 160 ml ivóvíz hozzáadásának felel meg). A pontosan meghatározott vízszinttel biztosítható a megfelelő melegítés. (ábra 16)
- 4** Válassza ki a bébiétel-melegítési beállítást (ábra 17).
- 5** Kapcsolja be a készüléket a be-/kikapcsológombbal. A folyamatjelzőben található jelzőfény jelzi, hogy a cumisüveg-melegítő be van kapcsolva (ábra 18).

*Megjegyzés: A cumisüveg-melegítő azonnal elkezd a melegítést, miután Ön megnyomta a gombot. Mivel a bébiételek állaga nagyon változó, a készülék nem tudja érzékelni, hogy pontosan meddig kell a bébiételt melegíteni.*

- 6** A folyamatkijelző fokozatosan töltődik fel fehér fényel, jelezve a melegítési folyamat előrehaladtát. A melegítés során ne vegye ki az üveget vagy az edényt a cumisüveg-melegítőből, hanem keverje meg a bébiételt az üvegben vagy edényben, amíg az még a cumisüveg-melegítőben van (ábra 19).

*Megjegyzés: Amikor a folyamatkijelző második szakasza is már folyamatosan világít, elkezdheti keverni a bébiételt. Ezt megelőzően még nem hatékony a keverés, mivel a bébiétel hőmérséklete még túl alacsony.*

Figyelmeztetés! Melegítés közben ne vegye ki a bébiételes üveget vagy edényt a cumisüveg-melegítóból.

**7** Amikor a teljes folyamatkijelző folyamatosan világít, akkor a bébiétel elérte a beállított hőmérsékletet.

*Megjegyzés: A bébiételek állagának igen változó volta miatt, az optimális eredmény érdekében javasolt, hogy folyamatosan keverje a bébiételt és ellenőrizze annak hőmérsékletét a melegítés alatt.*

- Amikor a bébiétel már meleg, kiveheti a bébiételes edényt vagy üveget a cumisüveg-melegítóból, hogy azonnal megetesse gyermekét (lásd a „A csecsemő etetése azonnal” című részt), vagy azt melegen is tarthatja a cumisüveg-melegítőben (lásd „A bébiétel melegen tartása” című részt).

### **A bébiétel hőmérsékletének növelése**

**1** A melegítést követően mindig kóstolja meg a bébiételt, hogy az nem túl forró-e. Ha a bébiétel nem elég meleg, akkor tegye vissza az edényt a cumisüveg-melegítőbe és tartsa ott egy ideig a melegen tartó üzemmódban. Eközben kevergesse a bébiételt (ábra 15).

**2** Közvetlenül azután, hogy kikapcsolta a cumisüveg-melegítőt, vagy az automatikusan kikapcsolt, kapcsolja vissza anélkül, hogy eltávolítaná a meleg vizet, majd kövesse a fenti lépést (ábra 18).

**3** A cumisüveg-melegítő automatikusan kikapcsol 20 perc melegen tartás üzemmód után (ábra 20).

### **A csecsemő etetése azonnal**

**1** A be-/kikapcsológomb lenyomásával kapcsolja ki a készüléket és vegye ki a bébiételes üveget vagy edényt (ábra 18).

**2** A melegítést követően kóstolja meg a bébiételt, hogy az nem túl forró-e (ábra 21).

## 74 MAGYAR

- 3** Húzza ki a készülék hálózati csatlakozódugóját és ürítse ki a cumisüveg-melegítőt (ábra 13).

### A bébiétel melegen tartása

- 1** Amikor a bébiétel eléri a kívánt hőmérsékletet, a cumisüveg-melegítő automatikusan melegen tartási üzemmódba kapcsol. Ebben az üzemmódban a készülék a bébiételt 20 percig a kívánt hőmérsékleten tartja (ábra 22).
- 2** A cumisüveg-melegítő 20 perc elteltével automatikusan kikapcsol. A folyamatkijelző kikapcsol, jelezve, hogy a bébiételt már nem tartja tovább a beállított hőmérsékleten a készülék (ábra 20).

*Megjegyzés: Ha gyermekét a beállított hőmérsékletű bébiétellel kívánja megetetni, akkor a bébiételt a cumisüveg-melegítő kikapcsolása után azonnal ki kell vennie a cumisüveg-melegítőtől és azonnal meg kell etetnie vele a gyermekét. Ellenkező esetben a bébiétel lassan kihűl.*

*Megjegyzés: A cumisüveg-melegítő melegen tartási üzemmódjának időtartama nem hosszabbítható meg 20 percnél hosszabb időre.*

- 3** Etetés előtt mindig ellenőrizze a bébiétel hőmérsékletét. Óvatosan keverje meg a bébiételt a bébiételes üvegben vagy edényben, és kóstolja meg, hogy nem túl forró-e (ábra 21).
- 4** Húzza ki a készülék hálózati csatlakozódugóját és ürítse ki a cumisüveg-melegítőt (ábra 13).



### **A cumisüveg-melegítő azonnali használata egy másik bébiételes üveg megmelegítéséhez**

Ha azonnal szeretne egy másik bébiételes üveget vagy edényt is melegíteni, hagyja a cumisüveg-melegítőt néhány percig hűlni. A folyamat felgyorsítása érdekében töltsse fel a cumisüveg-melegítőt hideg vízzel. A cumisüveg-melegítő bekapcsolását követően a folyamatkijelző alulról felfelé villogni kezd, jelezve, hogy a készülék éppen újramelegszik.

*Megjegyzés: Ha a folyamatkijelző be van kapcsolva, de nem villog, a cumisüveg-melegítő még túl meleg egy másik bébiételes üveg vagy edény felmelegítéséhez. Kapcsolja ki a cumisüveg-melegítőt, és hagyja hűlni néhány percig, majd töltsse fel hideg vízzel.*

### **Kiolvasztás beállítás**

---

Ezzel a beállítással kiolvaszthatja a fagyasztott tejet vagy bébiételt. Kövesse a „A cumisüveg-melegítő használata tej melegítésére” vagy „A cumisüveg-melegítő használata bébiétel melegítésére” című részben bemutatott lépéseket. A folyamatkijelző elkezd villogni, amikor a készülék kiolvasztás beállításra van állítva. A folyamatkijelző fokozatosan töltődik fel fehér fénnel, jelezve a kiolvasztási folyamat előrehaladtát. A tej vagy bébiétel akkor olvadt ki teljesen, amikor a teljes folyamatkijelző fehér fénnel világít. A kiolvasztás beállítás kiolvasztja a tejet vagy bébiételt, de nem hagyja, hogy az felmelegedjen. Ha a kiolvasztást követően fel szeretné melegíteni a tejet vagy bébiételt, először kapcsolja ki a készüléket, majd válassza ki a kívánt melegítési beállítást és kapcsolja be újra a készüléket.

## Tisztítás és vízkömentesítés

### Tisztítás

- 1** Használat után mindig húzza ki a cumisüveg-melegítő csatlakozóját a hálózati aljzataból, és hagyja kihűlni a készüléket (ábra 23).
- 2** Higiéniai okokból ürítse ki a vizet a cumisüveg-melegítő belsejéből (ábra 24).
- 3** Nedves törülőruhával törölje át a cumisüveg-melegítő külsejét és belsejét (ábra 25).

A cumisüveg-melegítő tisztításához ne használjon súrolószert, antibakteriális tisztítószeret, kémiai oldószereket vagy éles eszközöket.

*Megjegyzés: Ha ételtartóban lévő étel melegítésére használta a cumisüveg-melegítőt, ügyeljen arra, hogy ne maradjon kiömlött étel a készülék alján.*

### Vízkömentesítés

Javasoljuk, hogy **négy hetente** végezze el a készülék vízkömentesítését, hogy biztosítva legyen a hatékony üzemelés.

- 1** A cumisüveg-melegítő vízkömentesítéséhez 50 ml háztartási ecetet keverjen össze 100 ml vízzel. Válassza ki a kiolvasztás beállítást, majd kapcsolja be a cumisüveg-melegítőt és hagyja a készüléket 10 percre működni. Hagyja az oldatot a cumisüveg-melegítőben, amíg fel nem oldódik az összes vízkő. (ábra 26)

*Megjegyzés: Használhat citromsav alapú vízkömentesítő szert is.*

*Megjegyzés: Ne használjon más típusú vízkömentesítőt.*

- 2 Mielőtt kiürítené a cumisüveg-melegítőt, húzza ki a csatlakozót a hálózati aljzataból (ábra 23).
- 3 Ürítse ki a cumisüveg-melegítőt, és alaposan öblítse ki a belső részeit. Ha az öblítést követően továbbra is észlel vízkönyomokat, ismételje meg a vízkömentesítési eljárást (ábra 24).

### Újrahasznosítás

- Ha ez a szimbólum szerepel a terméken, az azt jelenti, hogy a termék megfelel a 2012/19/EU európai irányelv követelményeinek. Tájékozódjon az elektromos és elektronikus termékek szelektív hulladékként történő gyűjtésének helyi feltételeiről. Kövesse a helyi szabályokat, és ne dobja az elhasznált terméket a háztartási hulladékgyűjtőbe. Az elhasznált termék megfelelő hulladékkezelése segítséget nyújt a környezettel és az emberi egészséggel kapcsolatos negatív következmények megelőzésében. (ábra 27)

### Garancia és terméktámogatás

Ha információra vagy támogatásra van szüksége, látogasson el a **[www.philips.com/support](http://www.philips.com/support)** weboldalra, vagy olvassa el a különálló, világszerte érvényes garancialevelet.

**Жалпы сипаттама (Сурет 1)**

1. Нәрестенің бөтелкесін жылытатын құрал
2. Орындалу барысының индикаторы
3. Параметрлер және Қосу/өшіру түймесі
4. Мұзды еріту бағдарламасы
5. Сүтті жылыту параметрі 1
6. Сүтті жылыту параметрі 2
7. Сүтті жылыту параметрі 3
8. Нәресте тағамын жылыту бағдарламасы
9. Қосу/өшіру түймесі

**Маңызды**

Philips ұсынатын қолдауды толық пайдалану үшін құрылғыны **[www.philips.com/welcome](http://www.philips.com/welcome)** сайтына тіркеңіз.

Сүт жылытқышты пайдаланбастан бұрын, осы пайдаланушы нұсқаулығын мұқият оқып шығып, болашақта қарау үшін сақтап қойыңыз.

**Қауіпті жағдайлар**

- Құрылғыны суға немесе басқа сұйықтықтарға батыруға және ағынды судың астында жууға болмайды.

**Абайлаңыз!**

- Құрылғыны ғимарат ішінде ғана пайдаланыңыз.
- Құралды қауіпсіз пайдалану жөніндегі нұсқаулар беріліп, басқа біреу қадағалаған және құралды пайдалануға қатысты қауіп-қатерлер түсіндірілген жағдайда, осы құралды физикалық, сезу немесе ойлау қабілеті шектеулі, білімі мен тәжірибесі аз адамдар пайдалана алады.

- Тазалау және пайдаланушының қызмет көрсету жұмысын балалар орындамауы керек.
- Бұл құрылғыны балалардың пайдалануына болмайды. Құралды және оның сымын балалардың қолдары жетпейтін жерде сақтаңыз.
- Балалар құралмен ойнамауы керек.
- Сымды, штепсельдік ұшты немесе құрылғыны суға немесе басқа сұйықтыққа салмаңыз.
- Қуат сымын үстелдің немесе жұмыс орнының шетінен салбыратпаңыз. Құрылғының тұрақтылығын қамтамасыз ету үшін, артық сымды бөтелке жылытқыштың негізіне сақтап қоюға болады.
- Қуат сымын ыстық жерлерден аулақ ұстаңыз.
- Құралды тек жерге қосылған қабырға розеткасына жалғаңыз. Штепсельдік ұштың розеткаға жөндеп жалғанғанын тексеріңіз.
- Құрылғыны қосар алдында, құрылғыда көрсетілген кернеу жергілікті желідегі кернеуге сәйкес келетіндігін тексеріп алыңыз.
- Егер ұзартқыш сым қажет болса, жерге қосылған ұзартқыш сымның ток күші кемінде 13 Ампер болсын.
- Ашасы, электр сымы немесе құрылғының өзі зақымдалған болса, құрылғыны қолданбаңыз. Электр сымы зақымдалса, қауіпсіз болу үшін оны Philips компаниясында, Philips өкілеттік

## 80 ҚАЗАҚША

берген қызмет көрсету орталығында немесе тиісті кәсіби біліктілігі бар мамандар ғана ауыстыру керек.

- Құрылғыны ыстық газдың не электр плитасының үстіне не жанына немесе ыстық духовкаға қоймаңыз.
- Құрылғыны қатты қыздырмаңыз.
- Су қосардан бұрын әрдайым бөтелке жылытқышқа қақпағы бар толық жиналған бөтелке салыңыз.
- Бөтелке жылытқышты қосардан бұрын міндетті түрде су қосыңыз.
- Ыстық судан ауыр күйік жараларын алуға болады. Бөтелке жылытқыштың ішінде ыстық су болғанда, абай болыңыз.
- Құрылғының қол жетімді беттері пайдалану барысында ыстық болуы мүмкін.
- Ішінде ыстық суы бар кезде құрылғыны қозғамаңыз.
- Баланы тамақтандырар алдында нәресте тағамының температурасын әрдайым тексеріп отырыңыз.

### **Абайлаңыз**

- Бұл құрылғы үй тұрмысында және соған ұқсас ферма үйлері, жатын орын мен таңғы ас беретін орындар, дүкендердегі, кеңселер мен басқа да жұмыс орындарындағы ас үйлер сияқты орындарда және қонақ үйлерде,

мотельдер мен басқа да тұрғылықты орындарда тұтынушылар қолданысына арналған.

- Пайдаланылмайтын кезде құрылғыны ажыратып қойыңыз.
- Бөтелке жылытқыштың тұрақтылығын сақтау үшін, артық қуат сымын құрылғы негізінде сақтаңыз.
- Тазалар алдында, құрылғыны суытып алыңыз.
- Жөнделмес зақым келтірмеу үшін қағын түсіру нұсқауларын орындаңыз.
- Құрылғыны өз бетіңізше ашпаңыз немесе жөндемеңіз. Еліңіздегі Philips тұтынушылар қолдау орталығына хабарласуыңызға болады (**[www.philips.com/support](http://www.philips.com/support)** сайтын қараңыз).
- Тамақты өте ұзақ уақыт бойы қыздыруға болмайды.
- Дұрыс емес пайдаланудан пайда болуы ықтимал жарақаттануларды алдын алу үшін құрылғыны пайдалану нұсқаулығында сипатталғандай әдіспен ғана пайдаланыңыз.
- Қыздыру элементінің беті пайдаланудан кейін де жылуды сақтайды.

### **Электромагниттік өрістер (ЭМӨ)**

Осы Philips құрылғысы электромагниттік өрістерге қатысты барлық қолданыстағы стандарттар мен ережелерге сәйкес келеді.



## 82 ҚАЗАҚША

### Бөтелке жылытқышты қолдану

Бұл бөтелке жылытқыштың көмегімен Philips Avent тамақтандыру бөтелкесіндегі ана сүтін және ыдыстардағы сүт немесе нәресте тағамын жылытуға және мұзын ерітуге болады.

Нәресте бөтелкесін жылытқыш ана сүтіндегі құнды нәрлі заттарды және витаминдерді сақтауға көмектеседі, өйткені ол сүтті ешқашан артық жылытпайды. Сүт тым жылып кетсе, нәрлі заттар мен витаминдер бұзылады. Ана сүтінің сапасын сақтауға көмектесу үшін сүтті қауіпсіз және басқарылатын жолмен қыздыру маңызды. Нәресте бөтелкесін жылытқыш ақырын және біркелкі қыздыруға және ыстық жерлерді болдырмауға арналған, өйткені қыздыру кезінде сүт айналады. Кірістірілген датчик ешқашан артық қыздырмау үшін сүт температурасын бақылайды және басқарады.

*Ескерту. Philips Avent ана сүті қалталарын және 60 мл Philips ана бөтелкелерін бұл нәресте бөтелкесін жылытқышта пайдалануға болмайды.*

### Параметрлерді түсіндіру

- Келесі параметрлердің бірін таңдауға болады: (Сурет 2)
- Мұзды еріту параметрі: сүті немесе нәресте тағамы бар бөтелкенің немесе ыдыстың мұзын ерітеді. Жылымайды.
- Сүтті жылыту параметрлері: Бөтелкедегі сүтті қауіпсіз температураға дейін жылыту үшін келесі параметрлердің біреуін таңдаңыз. 2-параметр сүтті дене температурасына дейін қыздырады. 1-параметр сүтті азғантай төменірек температураға дейін жылытады, ал 3-параметр сүтті азғантай жоғарырақ температураға дейін жылытады.
- Тағам жылыту параметрі: ыдыстағы тағамды жылытқыңыз келгенде, осы параметрді таңдаңыз.

### Сүт жылыту үшін бөтелке жылытқышты пайдалану

- 1** Штепсельдік ұшты қабырғадағы розеткаға қосыңыз (Сурет 3).
  - 2** Бөтелкені бөтелке жылытқыштың ортасына қойыңыз (Сурет 4).
- Ескерту. Сүт сақтайтын ыдыстағы сүтті жылыту үшін бөтелкедегі сүтті жылытуға арналған қадамдарды орындаңыз.*





**3** Бөтелке жылытқышқа жылытылатын сүт мөлшеріне **тең** ауыз су мөлшерін құйыңыз (мысалы, 125 мл сүтті жылыту үшін 125 мл ауыз суын пайдалану қажет). Жылытылатын сүт мөлшері көп болса (>180 мл), судың ең жоғарғы деңгейі бөтелке жылытқыштың шеңберіне шамамен 1 см/0,4 дюйм жетпейді (бұл 160 мл ауыз суын қосқанға тең болады). Нақты су деңгейі жылытудың дұрыс орындалуын қамтамасыз етеді. (Сурет 5)

**4** Қажетті жылыту параметрін таңдаңыз (Сурет 6).

*Ескертпе. Тәжірибенің көрсетуі бойынша, нәрестелер өздерінің әгенкі сүт температурасын қалауы мүмкін. Бұл жеке талғамға немесе сыртқы факторларға байланысты болуы мүмкін (яғни, қоршаған орта температурасы). Барлық үш параметр сүтті нәрестеге тиімді және сүт құрамындағы нәрлі заттар мен витаминдерді сақтайтын, қауіпсіз температураға дейін жылытады.*

**5** Құрылғыны қосу үшін, «on/off» (қосу/өшіру) түймесін басыңыз. Түймедегі жанған жарық бөтелке жылытқыштың қосылғанын білдіреді (Сурет 7).

*Ескертпе. Нәресте бөтелкесін жылытқыш түймені баса сала жылы бастайды.*

**6** Орындалу барысының индикаторы сүтті жылыту барысын көрсету үшін біртіндеп ақ түске толады (Сурет 8).

*Ескертпе. Орындалу барысының индикаторы сүтті жылыту барысын көрсетеді. Құрылғы қосылған кезде орындалу барысының индикаторы жыпылықтай бастайды. Жылытудың бірінші сатысы аяқталған кезде төменгі сегмент үздіксіз жанып тұрады, содан кейін жылытудың екінші сатысының атқарылып жатқанын көрсету үшін келесі сегмент жыпылықтай бастайды. Бұл қадамдар жылытудың үшінші сатысы аяқталғанға дейін жалғасады. Енді орындалу барысының индикаторы толықтай үздіксіз жанады.*

*Ескертпе. Жылыту барысында біркелкі жылытуды қамтамасыз ету үшін сүт айналады. 90 мл бөлме температурасындағы сүтті жылытуға шамамен 10 минут кетеді. Салқын сүтті жылытуға немесе сүттің көп мөлшерін жылытуға азғантай көбірек уақыт кетеді.*

## 84 ҚАЗАҚША

Абайлаңыз: Орындалу барысының индикаторы жыпылықтап жатқанда бөтелкені нәресте бөтелкесін жылытқыштан шығармаңыз.

- 7** Орындалу барысының индикаторы толықтай үздіксіз жанған кезде сүт орнатылған температураға жетеді.
- Сүт жылыған кезде дереу нәрестені тамақтандыру үшін бөтелкені бөтелке жылытқыштан шығарып алуға болады («Нәрестені дереу тамақтандыру» бөлімін қараңыз) немесе бөтелке жылытқышта жылы күйінде сақтауға болады («Сүтті жылы ұстау» бөлімін қараңыз).

### **Сүт температурасын арттыру**

- 1** Сүттің жылырақ болуын қаласаңыз, 3-ші сүтті жылыту параметріне ауысу және бөтелкені құрылғыда жылы ұстау режимінде қалдыру арқылы дайын болғаннан кейін сүт температурасын біртіндеп арттыра аласыз (Сурет 9).
- 2** Сіз жаңа ғана нәресте бөтелкесін жылытқышты өшірсеңіз немесе ол жаңа ғана автоматты түрде өшсе, оны ішінен жылы суды алмай қайта қосыңыз, содан кейін жоғарыдағы қадамды орындаңыз (Сурет 10).
- 3** Нәресте бөтелкесін жылытқыш жылы сақтау режимінің 20 минутынан кейін автоматты түрде өшеді (Сурет 11).

### **Нәрестені дереу тамақтандыру**

- 1** Құрылғыны өшіру үшін, «on/off» (қосу/өшіру) түймесін басып, сүт бөтелкесін алыңыз (Сурет 10).
- 2** Нәрестені тамақтандыратын алдында тағамның температурасын әрдайым тексеріп отырыңыз. Бөтелкедегі сүтті ақырын шайқаңыз және білегіңізге бірнеше тамшы тамызып, сүттің температурасын тексеріңіз (Сурет 12).
- 3** Құрылғыны ажыратыңыз және бөтелке жылытқышты босатыңыз (Сурет 13).

### **Сүтті жылы күйінде сақтаңыз**

- 1** Сүт қажет температураға жеткенде нәресте бөтелкесін жылытқыш автоматты түрде жылуды сақтау режиміне ауысады.

Осы режимде сүт орнатылған температурада 20 минутқа дейін сақталады (Сурет 14).

- 2** 20 минуттан кейін нәресте бөтелкесін жылытқыш автоматты түрде өшеді. Сүттің қажет температурада сақталмайтынын көрсету үшін орындалу барысының индикаторы өшеді (Сурет 11).

*Ескертпе. Нәрестені орнатылған температурада тамақтандыру үшін бөтелке жылытқыш өшкеннен кейін дереу сүт бөтелкесін бөтелке жылытқыштан шығарып, нәрестені тамақтандыру қажет, әйтпесе сүт суиды.*

*Ескертпе. Нәресте бөтелкесін жылытқыштың жылы ұстау режимін 20 минуттан артық ұзарту мүмкін емес.*

Абайлаңыз: Сүтте бактериялардың дамуына байланысты ана сүтін екінші рет жылытпауға кеңес беріледі.

- 3** Нәрестені тамақтандыратын алдында тағамның температурасын әрдайым тексеріп отырыңыз. Бөтелкедегі немесе сүт сақтайтын ыдыстағы сүтті ақырын шайқаңыз және білегіңізге бірнеше тамшы тамызып, сүттің температурасын тексеріңіз (Сурет 12).
- 4** Құрылғыны ажыратыңыз және бөтелке жылытқышты босатыңыз (Сурет 13).

### **Нәресте бөтелкесін жылытқышты басқа бөтелке үшін бірден қайта пайдалану**

Тағы бір бөтелкені бірден жылыту керек болса, нәресте бөтелкесін жылытқышты бірнеше минутқа суытыңыз. Бұл процесті тездету үшін нәресте бөтелкесін жылытқышты салқын сумен толтырыңыз. Нәресте бөтелкесін жылытқышты қоссаңыз, орындалу барысының индикаторы төменнен жоғарыға қарай жыпылықтай бастап, құрылғы қайтадан жылып жатқанын көрсетеді.

*Ескертпе. Орындалу барысының индикаторы қосулы болса, бірақ жыпылықтамаса, нәресте бөтелкесін жылытқыш тағы бір бөтелкені жылыту үшін әлі тым жылы. Нәресте бөтелкесін жылытқышты өшіріңіз, бірнеше минутқа салқиндатыңыз да, оны салқын сумен толтырыңыз.*

### Нәресте тағамын жылыту үшін бөтелке жылытқышты пайдалану

- 1 Штепсельдік ұшты қабырғадағы розеткаға қосыңыз (Сурет 3).
- 2 Нәресте тағамы ыдысын немесе құтысын бөтелке жылытқыштың ортасына қойыңыз (Сурет 15).

*Ескертпе. Жылыту барысында нәресте тағамын араластыру үшін тағам ыдысының немесе құтының қақпағын ашық қалдыруға болады.*

- 3 Бөтелке жылытқышқа жылытылатын нәресте тағамының мөлшеріне **тең** ауыз су мөлшерін құйыңыз (мысалы, 125 мл сүтті жылыту үшін 125 мл ауыз суын пайдалану қажет). Нәресте тағамын көбірек мөлшерде жылыту керек болса, судың ең жоғарғы деңгейі бөтелке жылытқыштың шеңберіне шамамен 1 см жетпейді (бұл 160 мл ауыз суын қосқанға тең келеді). Нақты су деңгейі жылытудың дұрыс орындалуын қамтамасыз етеді. (Сурет 16)

- 4 Нәресте тағамын жылыту параметрін таңдаңыз (Сурет 17).

- 5 Құрылғыны қосу үшін «on/off» (қосу/өшіру) түймесін басыңыз. Орындалу барысының индикаторындағы жанған жарық бөтелке жылытқыштың қосылғанын білдіреді (Сурет 18).

*Ескертпе. Нәресте бөтелкесін жылытқыш түйме басылғаннан кейін дереу жылытуды бастайды. Нәресте тағамдары консистенцияларының әртүрлілігіне байланысты, құрылғы нәресте тағамын жылыту уақытын нақты анықтай алмайды.*

- 6 Жылыту барысын көрсету үшін орындалу барысының индикаторының ақ түсі біртіндеп жана бастайды. Жылыту барысында ыдысты немесе құтыны бөтелке жылытқыштан шығармаңыз, бірақ бөтелке жылытқыш ыдысты немесе құтыны жылыту барысында ішіндегі нәресте тағамын араластырыңыз (Сурет 19).

*Ескертпе. Орындалу барысының индикаторының екінші сегменті үздіксіз жанған кезде нәресте тағамын араластыруды бастауға болады. Нәресте тағамы температурасының төмен болуына байланысты бұл кезге дейін араластыру тиімсіз болады.*

**Абайлаңыз: Жылыту барысында бөтелке жылытқыштан ыдысты немесе құтыны шағармаңыз.**

- 7** Орындалу барысының индикаторы толықтай үздіксіз жанған кезде нәресте тағамы орнатылған температураға жетеді.

*Ескертпе. Нәресте тағамдары сәйкестіктерінің әртүрлі болуына байланысты, оңтайлы нәтиже алу үшін нәресте тағамын жылытып жатқанда тоқтатпай араластырып және температурасын тексеріп тұруға қатаң кеңес беріледі.*

- Нәресте тағамы жылыған кезде дереу нәрестені тамақтандыру үшін бөтелкені бөтелке жылытқыштан шығарып алуға болады («Нәрестені дереу тамақтандыру» бөлімін қараңыз) немесе бөтелке жылытқышта жылы күйінде сақтауға болады («Нәресте тағамын жылы күйінде сақтау» бөлімін қараңыз).

### **Нәресте тағамының температурасын арттыру**

- 1** Тым ыстық емес екенін тексеру үшін әрқашан жылытқаннан кейін нәрестенің тағамын ішіп көріңіз. Егер нәресте тағамы жылырақ болуы керек болса, ыдысты нәресте бөтелкесін жылытқышқа қайта қойыңыз да, оны біраз уақытқа сонда жылы ұстау режимінде қалдырыңыз. Нәресте тағамын араластыруды жалғастырыңыз (Сурет 15).
- 2** Сіз жаңа ғана нәресте бөтелкесін жылытқышты өшірсеңіз немесе ол жаңа ғана автоматты түрде өшсе, оны ішінен жылы суды алмай қайта қосыңыз, содан кейін жоғарыдағы қадамды орындаңыз (Сурет 18).
- 3** Нәресте бөтелкесін жылытқыш жылы сақтау режимінің 20 минутынан кейін автоматты түрде өшеді (Сурет 20).

### **Нәрестені дереу тамақтандыру**

- 1** Құрылғыны өшіру үшін қосу/өшіру түймесін басыңыз да, нәресте тағамы ыдысын немесе құтысын шығарыңыз (Сурет 18).
- 2** Жылытудан кейін тым ыстық емес екеніне көз жеткізу үшін нәресте тағамын ішіп көріңіз (Сурет 21).
- 3** Құрылғыны ажыратыңыз және бөтелке жылытқышты босатыңыз (Сурет 13).

**Нәресте тағамын жылы күйінде сақтау**

- 1** Нәресте тағамы қажет температураға жеткенде нәресте бөтелкесін жылытқыш жылуды сақтау режиміне автоматты түрде ауысады. Осы режимде нәресте тағамы қажет температурада 20 минутқа дейін сақталады (Сурет 22).
- 2** 20 минуттан кейін нәресте бөтелкесін жылытқыш автоматты түрде өшеді. Нәресте тағамының енді қажет температурада сақталмайтынын көрсету үшін орындалу барысының индикаторы өшеді (Сурет 20).

*Ескертпе. Нәрестені орнатылған температурағағы нәресте тағамымен тамақтандыру үшін нәресте бөтелкесін жылытқыш өшкеннен кейін нәресте тағамын бөтелке жылытқыштан шығарып, нәрестені тамақтандырыңыз. Әйтпесе нәресте тағамының жылуы кете бастайды.*

*Ескертпе. Нәресте бөтелкесін жылытқыштың жылы ұстау режимін 20 минуттан артық ұзарту мүмкін емес.*

- 3** Әрқашан нәрестені тамақтандыру алдында нәресте тағамының температурасын тексеріңіз. Нәресте тағамы ыдысында немесе құтыда нәресте тағамын ақырын араластырыңыз да, тым ыстық емес екеніне көз жеткізу үшін нәресте тағамын ішіп көріңіз (Сурет 21).
- 4** Құрылғыны ажыратыңыз және бөтелке жылытқышты босатыңыз (Сурет 13).

**Нәресте бөтелкесін жылытқышты басқа нәресте тағамының ыдысы үшін бірден қайта пайдалану**

Тағы бір нәресте тағамы бар ыдысты немесе құтыны бірден жылыту керек болса, нәресте бөтелкесін жылытқышты бірнеше минутқа суытыңыз. Бұл процесті тездету үшін нәресте бөтелкесін жылытқышты таза, салқын сумен толтырыңыз. Нәресте бөтелкесін жылытқышты қоссаңыз, орындалу барысының индикаторы төменнен жоғарыға қарай жыпылықтай бастап, құрылғы қайтадан жылып жатқанын көрсетеді.

*Ескертпе. Орындалу барысының индикаторы қосулы болса, бірақ жыпылықтамаса, нәресте бөтелкесін жылытқыш нәресте тағамы бар тағы бір ыдысты немесе құтыны жылыту үшін әлі тым жылы. Нәресте бөтелкесін жылытқышты өшіріңіз де, оны таза, салқын сумен толтырыңыз.*

### **Мұзды еріту бағдарламасы**

Бұл параметрмен мұздатылған сүтті немесе нәресте тағамын ерітуге болады. «Сүтті жылыту үшін бөтелке жылытқышты пайдалану» немесе «Нәресте тағамын жылыту үшін бөтелке жылытқышты пайдалану» бөлімінде көрсетілген қадамдарды орындаңыз. Құрылғы мұзды еріту параметрінде болғанда орындалу барысының индикаторы жыпылықтай бастайды. Орындалу барысының индикаторы мұзды еріту процесінің орындалу барысын көрсету үшін біртіндеп ақ түске толады. Орындалу барысының толығымен үздіксіз жанса, сүт немесе нәресте тағамы толығымен ереді. Мұзды еріту параметрі сүтті немесе нәресте тағамын ерітеді, бірақ жылытпайды. Мұзын еріте сала сүтті немесе нәресте тағамын жылыту керек болса, алдымен құрылғыны өшіріңіз, содан кейін қажет жылыту параметрін таңдаңыз да, құрылғыны қайта қосыңыз.

### **Тазалау және қақты кетіру**

#### **Тазалау**

- 1** Әр пайдаланудан кейін бөтелке жылытқышты ажыратып, оны салқындатыңыз (Сурет 23).
- 2** Гигиеналық себептерге байланысты бөтелке жылытқыштағы суды төгіп тастаңыз (Сурет 24).
- 3** Бөтелке жылытқыштың сырты мен ішін дымқыл шүберекпен сүртіңіз (Сурет 25).

Бөтелке жылытқышты тазалау үшін абразивті, бактерияға қарсы тазалайтын құралдарды, химиялық ерітінділерді немесе үшкір құралдарды пайдаланбаңыз.



## 90 ҚАЗАҚША

*Ескертпе. Егер нәресте тағамы бар ыдыстарды жылыту үшін бөтелке жылытқышты пайдалансаңыз, бөтелке жылытқыштың түбінде төгілген нәресте тағамының қалмағанына көз жеткізіңіз.*

### Қаспақты кетіру

Бөтелке жылытқыштың тиімді жұмыс істеп тұрғанына көз жеткізу үшін, оның **төрт апта** сайын қағын кетіріп отыруға кеңес беріледі.

- 1** Нәресте бөтелкесін жылытқыштың қағын түсіру үшін 50 мл ақ сірке суын 100 салқын сумен араластырыңыз. Алдымен мұзды еріту параметрін таңдаңыз, содан кейін нәресте бөтелкесін жылытқышты қосып, құрылғыны 10 минут бойы жұмыс істетіңіз. Бүкіл қақ ерігенше ерітіндіні нәресте бөтелкесін жылытқышта қалдырыңыз. (Сурет 26)

*Ескертпе. Сондай-ақ, цитрустық қышқыл негізіндегі қақ түсіргіштерді пайдалануға болады.*

*Ескертпе. Қақ түсіргіштердің басқа түрлерін пайдаланбаңыз.*

- 2** Бөтелке жылытқышты босатпай тұрып, оны қуат көзінен ажыратыңыз (Сурет 23).
- 3** Бөтелке жылытқышты босатып, оның ішін жақсылап шайыңыз. Шайғаннан кейін де қақтың іздерін көрсеңіз, қақ кетіру процедурасын қайталаңыз (Сурет 24).

### Өңдеу

- Өнімдегі бұл белгі өнімнің 2012/19/EU санды еуропалық директиваның аясына кіретінін білдіреді. Электр және электрондық өнімдерге арналған жергілікті бөлек қалдықтарды тастау жүйесін біліп алыңыз. Жергілікті ережелердің талаптарын орындаңыз және өнімді ешқашан кәдімгі тұрмыстық қалдықтармен бірге тастамаңыз. Ескірген өнімдерді тиісті жолмен тастау қоршаған орта мен адам денсаулығына кері әсерлердің алдын алады. (Сурет 27)





**Кепілдік және қолдау**

Егер сізге ақпарат немесе қолдау қажет болса, [www.philips.com/support](http://www.philips.com/support) сайтына кіріңіз немесе бөлек дүниежүзілік кепілдік парақшасын оқыңыз.

Бөтелке жылытқыш.

Өндіруші: “Филипс Консьюмер Лайфстайл Б.В.”, Туссендиепен 4, 9206 АД, Драхтен, Нидерланды.

Ресей және Кедендік Одақ территориясына импорттаушы: “Филипс” ЖШҚ, Ресей Федерациясы, 123022 Мәскеу қаласы, Сергей Макеев көшесі, 13-үй, тел. +7 495 961-1111.

SCF356: 220-240V, 50/60Hz.

Тұрмыстық қажеттіліктерге арналған.

Кепілдік бойынша қызмет көрсету жөніндегі сұрақтарға жауап алу үшін тауарды сатып алған жерге хабарласыңыз. Өнімнің жарамдылық мерзімі сатып алған күннен бастап 2 жыл. Барлық қосымша ақпаратты 8 75 11 65 01 23 телефонына қоңырау шалу арқылы Ақпарат орталығынан алуға болады (стационарлық телефон арқылы Қазақстан Республикасы аумағына қоңырау шалу тегін). По вопросам гарантийного обслуживания обратитесь по месту приобретения товара. Срок службы изделия 1 год с даты продажи. Вся дополнительную информацию можно получить в Информационном центре по телефону 8 75 11 65 0123 (бесплатный звонок на территории РК со стационарных телефонов)

**Opis ogólny (rys. 1)**

1. Podgrzewacz do butelek
2. Wskaźnik postępu
3. Pokrętło ustawień i wyłącznika
4. Ustawienie rozmrażania
5. Ustawienie podgrzewania mleka 1
6. Ustawienie podgrzewania mleka 2
7. Ustawienie podgrzewania mleka 3
8. Ustawienie podgrzewania jedzenia dla dziecka
9. Wyłącznik

**Ważne**

Aby w pełni skorzystać z oferowanej przez firmę Philips pomocy, zarejestruj swoje urządzenie na stronie

**[www.philips.com/welcome](http://www.philips.com/welcome).**

Przed użyciem podgrzewacza do butelek zapoznaj się dokładnie z niniejszą instrukcją obsługi i zachowaj ją na przyszłość.

**Niebezpieczeństwo**

- Nie zanurzaj urządzenia w wodzie ani innym płynie. Nie oplukuj go pod bieżącą wodą.

**Ostrzeżenie**

- Z urządzenia można korzystać tylko w pomieszczeniach.
- Urządzenie może być używane przez osoby z ograniczonymi zdolnościami fizycznymi, sensorycznymi lub umysłowymi, a także nieposiadające

wiedzy lub doświadczenia w zakresie użytkowania tego typu urządzeń, pod warunkiem, że będą one nadzorowane lub zostaną poinstruowane na temat korzystania z tego urządzenia w bezpieczny sposób oraz zostaną poinformowane o potencjalnych zagrożeniach.

- Dzieci nie powinny czyścić ani obsługiwać urządzenia.
- Urządzenie nie może być używane przez dzieci. Przechowuj urządzenie i przewód poza zasięgiem dzieci.
- Dzieci nie mogą bawić się urządzeniem.
- Nie zanurzaj przewodu, wtyczki i urządzenia w wodzie ani w innym płynie.
- Uważaj, aby przewód sieciowy nie zwisał z krawędzi stołu lub blatu. Zbyt długi przewód można skrócić, chowając część w podstawie podgrzewacza do butelek, aby zapewnić stabilność urządzenia.
- Trzymaj przewód sieciowy z dala od rozgrzanych powierzchni.
- Urządzenie podłączaj tylko do uziemionego gniazdka elektrycznego. Zawsze sprawdzaj, czy wtyczka pewnie tkwi w gniazdku.

## 94 POLSKI

- Przed podłączeniem urządzenia upewnij się, czy napięcie podane na spodzie urządzenia jest zgodne z napięciem w sieci elektrycznej.
- Jeśli konieczne jest użycie przedłużacza, upewnij się, że ma on uziemienie i obsługuje natężenie co najmniej 13 A.
- Nie korzystaj z urządzenia, jeśli uszkodzona jest wtyczka, przewód sieciowy lub samo urządzenie. W przypadku uszkodzenia przewodu sieciowego w celu uniknięcia zagrożenia należy zlecić jego wymianę firmie Philips, autoryzowanemu centrum serwisowemu firmy Philips lub odpowiednio wykwalifikowanej osobie.
- Nie umieszczaj urządzenia na gorącej kuchence gazowej lub elektrycznej bądź w ich pobliżu ani w nagrzanym piekarniku.
- Nie rozgrzewaj wcześniej urządzenia.
- Przed wlaniem wody do podgrzewacza umieszczona w nim butelka powinna być całkowicie złożona i mieć założoną nasadkę.
- Przed włączeniem podgrzewacza do butelek upewnij się, że została do niego wlana woda.

- Gorąca woda może spowodować poważne oparzenia. Zachowaj ostrożność, gdy w podgrzewaczu do butelek znajduje się gorąca woda.
- Powierzchnia urządzenia może nagrzewać się podczas pracy.
- Nie przesuвай urządzenia, gdy jest wypełnione gorącą wodą.
- Przed rozpoczęciem karmienia zawsze sprawdź temperaturę jedzenia dla dziecka.

### **Uwaga**

- To urządzenie jest przeznaczone do użytku w domach i podobnych miejscach, takich jak domy wiejskie, pensjonaty, kuchnie dla pracowników w sklepach, biurach i innych miejscach pracy, oraz do użytku przez gości hoteli, moteli itp.
- Wyjmij wtyczkę urządzenia z gniazdka elektrycznego, gdy urządzenia nie jest używane.
- Zbyt długi przewód można skrócić, chowając jego część w podstawie urządzenia w celu zapewnienia stabilności podgrzewacza do butelek.
- Przed czyszczeniem urządzenia zaczekaj, aż ostygnie.

- Postępuj zgodnie z instrukcjami dotyczącymi usuwania kamienia, aby nie dopuścić do nieodwracalnego uszkodzenia urządzenia.
- Nie próbuj samodzielnie otwierać ani naprawiać urządzenia. W tym celu skontaktuj się z lokalnym Centrum Obsługi Klienta firmy Philips (odwiedź stronę **[www.philips.com/support](http://www.philips.com/support)**).
- Nie należy zbyt długo podgrzewać jedzenia.
- Korzystaj z urządzenia tylko w sposób opisany w instrukcji obsługi, aby uniknąć potencjalnych obrażeń wynikających z niewłaściwego użycia.
- Powierzchnia elementu grzejnego może pozostać gorąca po zakończeniu pracy.

#### **Pola elektromagnetyczne (EMF)**

To urządzenie firmy Philips spełnia wszystkie normy i jest zgodne z wszystkimi przepisami dotyczącymi narażenia na działanie pól elektromagnetycznych.

## Korzystanie z podgrzewacza do butelek

Za pomocą tego podgrzewacza do butelek można bezpiecznie podgrzewać i rozmrażać mleko w butelkach do karmienia Philips Avent oraz mleko i jedzenie dla dzieci w pojemnikach.

Podgrzewacz do butelek pomaga zachować cenne substancje odżywcze i witaminy w pokarmie matki, ponieważ nigdy nie przegrzewa mleka. Jeśli mleko zbyt szybko się rozgrzeje, wpływa to negatywnie na substancje odżywcze i witaminy. Aby pomóc w zapewnieniu jakości pokarmu matki, należy podgrzewać go w bezpieczny i kontrolowany sposób. Podgrzewacz do butelek jest przeznaczony do delikatnego i równomiernego podgrzewania. Temperatura jest jednorodna, ponieważ mleko jest w ruchu podczas podgrzewania. Wbudowany czujnik umożliwia śledzenie i kontrolę temperatury mleka, aby nigdy nie dopuścić do jego przegrzania.

***Uwaga: W tym podgrzewaczu do butelek nie można podgrzewać woreczków do przechowywania pokarmu Philips Avent ani butelek Philips Avent o pojemności 60 ml.***

### Wyjaśnienie ustawień

- Użytkownik ma do wyboru następujące ustawienia: (rys. 2)
- Ustawienie rozmrażania: umożliwia rozmrożenie butelki lub pojemnika z zamrożonym mlekiem lub jedzeniem dla dzieci. Zawartość nie jest podgrzewana.
- Ustawienia podgrzewania mleka: wybierz jedno z tych ustawień, jeśli chcesz podgrzać butelkę mleka do bezpiecznej temperatury. Ustawienie 2 podgrzewa mleko mniej więcej do temperatury ciała. Ustawienie 1 podgrzewa mleko do nieco niższej temperatury, a ustawienie 3 podgrzewa mleko do nieco wyższej temperatury.
- Ustawienie podgrzewania jedzenia dla dziecka: wybierz to ustawienie, jeśli chcesz podgrzać pojemnik lub słoiczek z jedzeniem dla dziecka.

## Podgrzewanie mleka za pomocą podgrzewacza do butelek

---

- 1** Włóż wtyczkę przewodu sieciowego do gniazdka elektrycznego (rys. 3).
- 2** Umieść butelkę centralnie w podgrzewaczu do butelek (rys. 4).

*Uwaga: Aby podgrzać mleko w pojemniku na pokarm, wykonaj te same czynności, co w przypadku podgrzewania mleka w butelce.*

- 3** Nalej do podgrzewacza do butelek **tyle samo** wody pitnej, ile jest mleka, które chcesz podgrzać (np. aby podgrzać 125 ml mleka, trzeba użyć 125 ml wody pitnej). W przypadku podgrzewania dużej ilości mleka (więcej niż 180 ml) maksymalny poziom wody znajduje się w odległości ok. 1 cm od górnej krawędzi podgrzewacza do butelek (co odpowiada wlaniu 160 ml wody pitnej). Odpowiedni poziom wody zapewnia prawidłowe podgrzanie. (rys. 5)

- 4** Wybierz żądane ustawienie (rys. 6).

*Uwaga: Z doświadczenia wiemy, że dzieci mogą mieć ulubioną temperaturę mleka. Może to być spowodowane ich osobistymi preferencjami lub czynnikami zewnętrznymi (np. temperaturą otoczenia). Wszystkie trzy ustawienia zapewniają podgrzanie mleka do bezpiecznej temperatury, która jest odpowiednia dla dziecka oraz ułatwia zachowanie substancji odżywczych i witamin zawartych w mleku.*

- 5** Naciśnij wyłącznik, aby włączyć urządzenie. Wskaźnik na przycisku zaświeci się, co oznacza, że podgrzewacz do butelek jest włączony (rys. 7).

*Uwaga: Podgrzewacz do butelek zaczyna podgrzewanie zaraz po naciśnięciu przycisku.*



- 6** Wskaźnik postępu zacznie stopniowo wypełniać się z białym światłem, aby pokazać postęp podgrzewania mleka (rys. 8).

*Uwaga: Wskaźnik postępu pokazuje postęp podgrzewania mleka. Wskaźnik postępu zaczyna migać po włączeniu urządzenia. Po zakończeniu pierwszej fazy podgrzewania dolny segment zaczyna świecić światłem ciągłym, a następny segment zaczyna migać, co oznacza, że trwa druga faza podgrzewania. Te działania mają miejsce aż do zakończenia trzeciej fazy podgrzewania. Wtedy cały wskaźnik postępu zaczyna świecić światłem ciągłym.*

*Uwaga: Podczas podgrzewania mleko jest cały czas w ruchu, aby zapewnić równomierną temperaturę. Podgrzanie 90 ml mleka do temperatury pokojowej trwa około 10 minut. Czas jest nieco dłuższy w przypadku zimnego mleka lub dużej jego ilości.*

Uwaga: Nie wyjmuj butelki z podgrzewacza do butelek, gdy wskaźnik postępu miga.

- 7** Gdy cały wskaźnik postępu świeci światłem ciągłym, oznacza to, że mleko zostało podgrzane do ustawionej temperatury.
- Gdy mleko jest ciepłe, można wyjąć butelkę z podgrzewacza do butelek, aby od razu nakarmić dziecko (patrz część „Karmienie dziecka od razu”). Można również skorzystać z funkcji utrzymywania temperatury mleka w podgrzewaczu do butelek (patrz część „Utrzymywanie temperatury mleka”).

### **Zwiększanie temperatury mleka**

- 1** Jeśli chcesz, aby mleko było cieplejsze, możesz stopniowo zwiększać jego temperaturę po tym, gdy będzie już gotowe. Aby to zrobić, włącz ustawienie podgrzewania mleka 3 i pozostaw butelkę w urządzeniu w trybie utrzymywania ciepła (rys. 9).

- 2 Jeśli podgrzewacz do butelek właśnie został wyłączony lub wyłączył się automatycznie, włącz go z powrotem, nie wylewając ciepłej wody, i wykonaj czynności opisane powyżej (rys. 10).
- 3 Podgrzewacz do butelek wyłącza się automatycznie po 20 minutach działania w trybie utrzymywania ciepła (rys. 11).

### Karmienie dziecka od razu

- 1 Naciśnij wyłącznik, aby wyłączyć urządzenie, i wyjmij z niego butelkę z mlekiem (rys. 10).
- 2 Zawsze sprawdzaj temperaturę mleka, zanim podasz je dziecku. Delikatnie potrząśnij mlekiem w butelce i wylej kilka kropel na wewnętrzną stronę nadgarstka, aby sprawdzić temperaturę napoju (rys. 12).
- 3 Wyjmij wtyczkę urządzenia z gniazdka elektrycznego i opróżnij podgrzewacz do butelek (rys. 13).

### Utrzymywanie temperatury mleka

- 1 Gdy mleko osiągnie żądaną temperaturę, podgrzewacz do butelek automatycznie przełącza się w tryb utrzymywania ciepła. W tym trybie mleko zachowuje ustawioną temperaturę przez 20 minut (rys. 14).
- 2 Podgrzewacz do butelek wyłącza się automatycznie po 20 minutach. Wskaźnik postępu wyłącza się, co oznacza, że nie jest już utrzymywana ustawiona temperatura mleka (rys. 11).

*Uwaga: Aby nakarmić dziecko mlekiem o ustawionej temperaturze, wyjmij butelkę z mlekiem z podgrzewacza i podaj ją dziecku natychmiast po wyłączeniu się urządzenia. W przeciwnym razie mleko ostygnie.*

*Uwaga: Podgrzewacza do butelek nie można pozostawiać w trybie utrzymywania ciepła przez dłużej niż 20 minut.*

Uwaga: Nie zaleca się dwukrotnego podgrzewania mleka, ponieważ zaczną się w nim namnażać bakterie.

- 3** Zawsze sprawdzaj temperaturę mleka, zanim podasz je dziecku. Delikatnie potrząśnij mlekiem w butelce lub pojemniku na pokarm i wylej kilka kropel na wewnętrzną stronę nadgarstka, aby sprawdzić temperaturę napoju (rys. 12).
- 4** Wyjmij wtyczkę urządzenia z gniazdka elektrycznego i opróżnij podgrzewacz do butelek (rys. 13).

### **Wykorzystanie podgrzewacza do butelek od razu do podgrzania kolejnej butelki**

Jeśli chcesz od razu podgrzać kolejną butelkę, pozostaw podgrzewacz do butelek na kilka minut do ostygnięcia. Aby ten proces przyspieszyć, napełnij podgrzewacz do butelek świeżą, zimną wodą. Po włączeniu podgrzewacza do butelek wskaźnik postępu zaczyna migać od dołu do góry, informując o ponownym nagrzewaniu urządzenia.

*Uwaga: Jeśli wskaźnik postępu świeci, ale nie miga, podgrzewacz do butelek jest wciąż zbyt ciepły, aby podgrzać kolejną butelkę. Wyłącz podgrzewacz do butelek, pozostaw go na kilka minut do ostygnięcia i pamiętaj, aby napełnić go świeżą, zimną wodą.*

### **Podgrzewanie jedzenia dla dzieci za pomocą podgrzewacza do butelek**

---

- 1** Włóż wtyczkę przewodu sieciowego do gniazdka elektrycznego (rys. 3).
- 2** Umieść pojemnik lub słoiczek z jedzeniem dla dziecka centralnie w podgrzewaczu do butelek (rys. 15).

*Uwaga: Możesz zdjąć pokrywkę z pojemnika lub słoiczka, aby mieszać jego zawartość podczas podgrzewania.*

- 3** Nalej do podgrzewacza do butelek **tylko samo** wody pitnej, ile jest jedzenia dla dziecka, które chcesz podgrzać (np. aby podgrzać 125 ml jedzenia dla dziecka, trzeba użyć 125 ml wody pitnej).

W przypadku podgrzewania dużej ilości jedzenia dla dziecka maksymalny poziom wody znajduje się w odległości ok. 1 cm od górnej krawędzi podgrzewacza do butelek (co odpowiada wlaniu 160 ml wody pitnej). Odpowiedni poziom wody zapewnia prawidłowe podgrzanie. (rys. 16)

- 4 Wybierz ustawienie podgrzewania jedzenia dla dziecka (rys. 17).
- 5 Naciśnij wyłącznik, aby włączyć urządzenie. Dioda na wskaźniku postępu zaświeci się, co oznacza, że podgrzewacz do butelek jest włączony (rys. 18).

*Uwaga: Podgrzewacz do butelek zaczyna podgrzewanie zaraz po naciśnięciu przycisku. Ze względu na dużą różnorodność konsystencji jedzenia dla dzieci urządzenie nie jest w stanie dokładnie określić, jak długo jedzenie powinno być podgrzewane.*

- 6 Wskaźnik postępu znacznie stopniowo wypełniać się z białym światłem, aby pokazać postęp podgrzewania. Podczas podgrzewania nie należy wyjmować słoiczka ani pojemnika z podgrzewacza do butelek, tylko mieszać jedzenie dla dziecka w słoiczku lub pojemniku nadal znajdującym się w podgrzewaczu (rys. 19).

*Uwaga: Można zacząć mieszać jedzenie dla dziecka, gdy drugi segment wskaźnika postępu zacznie świecić w sposób ciągły. Wcześniejsze mieszanie nie przynosi efektów, ponieważ temperatura jedzenia dla dziecka jest jeszcze zbyt niska.*

Uwaga: Nie wyjmuj pojemnika ani słoiczka z jedzeniem z podgrzewacza do butelek podczas podgrzewania.

- 7 Gdy cały wskaźnik postępu świeci światłem ciągłym, oznacza to, że jedzenie zostało podgrzane do żądanej temperatury.

*Uwaga: Ze względu na dużą różnorodność konsystencji jedzenia dla dzieci zaleca się, aby ciągle je mieszać i*

*sprawdzać jego temperaturę podczas podgrzewania w celu uzyskania optymalnych rezultatów.*

- Gdy jedzenie jest ciepłe, można wyjąć pojemnik lub słóeczek z podgrzewacza do butelek, aby od razu nakarmić dziecko (patrz część „Karmienie dziecka od razu”). Można również skorzystać z funkcji utrzymywania temperatury w podgrzewaczu do butelek (patrz część „Utrzymywanie temperatury jedzenia dla dzieci”).

### **Zwiększanie temperatury jedzenia dla dziecka**

- 1** Zawsze próbuj jedzenia dla dziecka po podgrzaniu, aby sprawdzić, czy nie jest zbyt gorące. Jeśli chcesz podgrzać jedzenie dla dziecka, umieść pojemnik z powrotem w podgrzewaczu do butelek i pozostaw go tam w trybie utrzymywania ciepła, stale mieszając jedzenie dla dziecka (rys. 15).
- 2** Jeśli podgrzewacz do butelek właśnie został wyłączony lub wyłączył się automatycznie, włącz go z powrotem, nie wylewając ciepłej wody, i wykonaj czynności opisane powyżej (rys. 18).
- 3** Podgrzewacz do butelek wyłącza się automatycznie po 20 minutach działania w trybie utrzymywania ciepła (rys. 20).

### **Karmienie dziecka od razu**

- 1** Naciśnij wyłącznik, aby wyłączyć urządzenie, i wyjmij z niego pojemnik lub słóeczek z jedzeniem dla dziecka (rys. 18).
- 2** Po podgrzaniu spróbuj jedzenia dla dziecka, aby sprawdzić, czy nie jest zbyt gorące (rys. 21).
- 3** Wyjmij wtyczkę urządzenia z gniazdka elektrycznego i opróżnij podgrzewacz do butelek (rys. 13).

### Utrzymywanie temperatury jedzenia dla dzieci

- 1** Gdy jedzenie dla dziecka osiągnie żadaną temperaturę, podgrzewacz do butelek automatycznie przełącza się w tryb utrzymywania ciepła. W tym trybie jedzenia dla dziecka zachowuje pożądaną temperaturę przez 20 minut (rys. 22).
- 2** Podgrzewacz do butelek wyłącza się automatycznie po 20 minutach. Wskaźnik postępu wyłącza się, co oznacza, że nie jest już utrzymywana ustawiona temperatura jedzenia dla dziecka (rys. 20).

*Uwaga: Aby nakarmić dziecko jedzeniem o ustawionej temperaturze, wyjmij je z podgrzewacza i podaj je dziecku natychmiast po wyłączeniu się urządzenia. W przeciwnym razie jedzenie dla dziecka powoli ostygnie.*

*Uwaga: Podgrzewacza do butelek nie można pozostawiać w trybie utrzymywania ciepła przez dłużej niż 20 minut.*

- 3** Zawsze sprawdzaj temperaturę jedzenia dla dziecka przed rozpoczęciem karmienia. Delikatnie wymieszaj jedzenie dla dziecka w pojemniku lub słoiczku oraz spróbuj je, aby sprawdzić, czy nie jest zbyt gorące (rys. 21).
- 4** Wyjmij wtyczkę urządzenia z gniazdka elektrycznego i opróżnij podgrzewacz do butelek (rys. 13).

### **Wykorzystanie podgrzewacza do butelek od razu do podgrzania kolejnego pojemnika lub słoiczka z jedzeniem dla dziecka**

Jeśli chcesz od razu podgrzać kolejny pojemnik lub słoiczek z jedzeniem dla dziecka, pozostaw podgrzewacz do butelek na kilka minut do ostygnięcia. Aby ten proces przyspieszyć, napełnij podgrzewacz do butelek świeżą, zimną wodą. Po włączeniu podgrzewacza do butelek wskaźnik postępu zaczyna migać od dołu do góry, informując o ponownym nagrzewaniu urządzenia.

*Uwaga: Jeśli wskaźnik postępu świeci, ale nie miga, podgrzewacz do butelek jest wciąż zbyt ciepły, aby podgrzać kolejny pojemnik lub słoiczek z jedzeniem dla dziecka. Wyłącz podgrzewacz do butelek, pozostaw go na kilka minut do ostygnięcia i pamiętaj, aby napełnić go świeżą, zimną wodą.*

### **Ustawienie rozmrażania**

---

W tym ustawieniu można rozmrozić zamrożone mleko lub jedzenie dla dziecka. Wykonaj czynności opisane w części „Podgrzewanie mleka za pomocą podgrzewacza do butelek” lub „Podgrzewanie jedzenia dla dzieci za pomocą podgrzewacza do butelek”.

Wskaźnik postępu zaczyna migać, gdy urządzenie jest ustawione na rozmrażanie. Wskaźnik postępu stopniowo wypełnia się białym kolorem, informując o postępie procesu rozmrażania. Mleko lub jedzenie dla dziecka jest całkowicie rozmrożone, gdy cały wskaźnik postępu świeci w sposób ciągły.

Ustawienie rozmrażania umożliwia rozmrożenie mleka lub jedzenia dla dziecka, ale nie powoduje jego podgrzania. Jeżeli chcesz podgrzać mleko lub jedzenie dla dziecka po rozmrożeniu, wyłącz najpierw urządzenie, następnie wybierz odpowiednie ustawienie podgrzewania i ponownie je włącz.

## Czyszczenie i usuwanie kamienia

### Czyszczenie

- 1 Po każdym użyciu wyjmij wtyczkę podgrzewacza do butelek z gniazdka elektrycznego i poczekaj, aż urządzenie ostygnie (rys. 23).
- 2 Ze względów higienicznych wylej wodę z podgrzewacza do butelek (rys. 24).
- 3 Przetrzyj wewnętrzną i zewnętrzną część podgrzewacza do butelek wilgotną szmatką (rys. 25).

Do czyszczenia podgrzewacza do butelek nie używaj środków ściernych, antybakteryjnych, rozpuszczalników ani ostrych narzędzi.

*Uwaga: Jeśli podgrzewacz do butelek był używany do podgrzewania pojemnika z jedzeniem dla dziecka, upewnij się, że na dnie podgrzewacza nie pozostały resztki jedzenia.*

### Usuwanie kamienia

Aby zapewnić skuteczne działanie urządzenia, zaleca się usuwanie kamienia z podgrzewacza do butelek co **cztery tygodnie**.

- 1 Aby usunąć kamień z podgrzewacza do butelek, wymieszaj 50 ml białego octu winnego ze 100 ml zimnej wody. Wybierz najpierw ustawienie rozmrażania, a następnie włącz podgrzewacz do butelek i pozwól mu działać przez 10 minut. Pozostaw roztwór w podgrzewaczu do butelek, dopóki cały kamień się nie rozpuści. (rys. 26)

*Uwaga: można również użyć środka do usuwania kamienia na bazie kwasu cytrynowego.*

*Uwaga: Nie należy stosować innych środków do usuwania kamienia.*

- 2 Wyjmij wtyczkę podgrzewacza do butelek z gniazdka elektrycznego przed jego opróżnieniem (rys. 23).



- 3 Opróżnij podgrzewacz do butelek i dokładnie wypłucz jego wnętrze. Jeśli po wypłukaniu w podgrzewaczu nadal znajdują się resztki kamienia, powtórz procedurę usuwania kamienia (rys. 24).

### Recykling

- Ten symbol na produkcie oznacza, że podlega on postanowieniom Dyrektywy Europejskiej 2012/19/UE. Zapoznaj się z lokalnymi przepisami dotyczącymi utylizacji sprzętu elektrycznego i elektronicznego. Postępuj zgodnie z lokalnymi przepisami i nigdy nie wyrzucaj tego produktu wraz ze zwykłymi odpadami gospodarstwa domowego. Prawidłowa utylizacja zużytych produktów pomaga chronić środowisko naturalne i ludzkie zdrowie. (rys. 27)

### Gwarancja i pomoc techniczna

Jeśli potrzebujesz pomocy lub dodatkowych informacji, odwiedź stronę **[www.philips.com/support](http://www.philips.com/support)** lub zapoznaj się z oddzielną ulotką gwarancyjną.

**Общее описание (Рис. 1)**

1. Подогреватель детского питания
2. Индикатор
3. Переключатель режимов/питания
4. Режим разморозки
5. Режим подогрева молока 1
6. Режим подогрева молока 2
7. Режим подогрева молока 3
8. Режим подогрева детского питания
9. Кнопка включения/выключения

**Важная информация**

Чтобы воспользоваться всеми преимуществами поддержки Philips, зарегистрируйте прибор на веб-сайте **[www.philips.com/welcome](http://www.philips.com/welcome)**.

Перед использованием подогревателя для бутылочек внимательно ознакомьтесь с настоящим руководством и сохраните его для дальнейшего использования в качестве справочного материала.

**Опасно!**

- Запрещается погружать прибор в воду или другие жидкости, а также промывать его под струей воды.

**Предупреждение**

- Прибор предназначен только для использования в помещении.
- Лица с ограниченными физическими или интеллектуальными возможностями, а также лица с недостаточным опытом и знаниями

могут пользоваться этим прибором только под присмотром или после получения инструкций по безопасному использованию прибора и при условии понимания потенциальных опасностей.

- Не разрешайте детям осуществлять очистку и обслуживание прибора.
- Данный прибор не предназначен для детей. Храните прибор и шнур в недоступном для детей месте.
- Не позволяйте детям играть с прибором.
- Запрещается погружать шнур, вилку или прибор в воду или любую другую жидкость.
- Не допускайте свисания шнура с края стола или места установки прибора. Излишек шнура можно хранить в основании подогревателя.
- Не помещайте шнур рядом с горячими поверхностями.
- Подключайте устройство только к заземленной розетке. Убедитесь, что сетевая вилка правильно вставлена в розетку электросети.
- Перед подключением прибора убедитесь, что напряжение, указанное на нижней панели прибора, соответствует напряжению местной электросети.
- Если вам требуется удлинитель, убедитесь, что он заземлен (не менее 13 А).

## 110 РУССКИЙ

- Запрещается использовать прибор, если повреждены сетевой шнур, штепсельная вилка или сам прибор. В случае повреждения сетевого шнура его необходимо заменить. Чтобы обеспечить безопасную эксплуатацию прибора, заменяйте шнур в торговой организации Philips, авторизованном сервисном центре Philips или сервисном центре с персоналом аналогичной квалификации.
- Запрещается ставить прибор на горячую газовую или электрическую плиту (а также вблизи нее) или в духовой шкаф.
- Запрещается предварительно нагревать прибор.
- Ставьте в подогреватель только полностью собранную бутылочку с крышкой и только перед тем, как налить воду.
- Прежде чем включить подогреватель, убедитесь, что вы налили воду.
- Кипящая вода может стать причиной сильных ожогов. Будьте особенно осторожны, когда в подогревателе для бутылочек есть горячая вода.
- Во время использования прибора некоторые его поверхности могут нагреваться.
- Не перемещайте прибор с горячей водой.
- Обязательно проверяйте температуру пищи, прежде чем покормить малыша.

**Внимание!**

- Этот прибор предназначен для использования в домашних и других подобных условиях, в том числе: в загородных домах, мини-отелях, на кухнях для персонала в магазинах, офисах и других подобных местах, а также постояльцами отелей, гостевых домов и пр.
- Когда прибор не используется, отключайте его от электросети.
- Для обеспечения устойчивости храните излишек шнура в основании подогревателя для бутылочек.
- Прежде чем очищать прибор, обязательно дождитесь, когда он остынет.
- Во избежание необратимого повреждения прибора соблюдайте рекомендации по очистке от накипи.
- Не пытайтесь открыть или починить прибор самостоятельно. Обратитесь в центр поддержки потребителей Philips в вашей стране (см. **[www.philips.com/support](http://www.philips.com/support)**).
- Не рекомендуется слишком долго подогревать пищу.
- Во избежание получения травм используйте прибор только в соответствии с указаниями в инструкции по эксплуатации.
- Поверхность нагревательного элемента сохраняет остаточное тепло после использования.

### Электромагнитные поля (ЭМП)

Этот прибор Philips соответствует всем применимым стандартам и нормам по воздействию электромагнитных полей.

### Использование подогревателя для бутылочек

С помощью этого подогревателя вы можете безопасно подогревать и размораживать молоко в бутылочках для кормления Philips Avent, а также молоко и детское питание в контейнерах.

Подогреватель для бутылочек сохраняет питательные вещества и витамины грудного молока, так как молоко в приборе не перегревается. Для сохранения качества грудного молока важно подогревать его безопасным и надежным способом, так как при высокой температуре питательные вещества и витамины разрушаются. Подогреватель для бутылочек обеспечивает бережный и равномерный подогрев за счет постоянного перемешивания молока. Встроенный датчик отслеживает температуру молока и предотвращает перегрев.

*Примечание. Этот подогреватель не подходит для бутылочек Philips Avent объемом 60 мл и пакетов для хранения грудного молока Philips Avent.*

### Описание режимов

- Доступны следующие параметры (Рис. 2).
- Режим разморозки: используется для разморозки молока и детского питания в бутылочках или контейнерах (без подогрева).
- Режимы подогрева молока: в каждом из режимов молоко в бутылочках подогревается до определенной безопасной температуры. В режиме 2 — приблизительно до температуры тела, в режиме 1 — немного ниже температуры тела, а в режиме 3 — немного выше температуры тела.
- Режим подогрева детского питания: подогрев контейнера или емкости с детским питанием.

## Использование подогревателя бутылочек для подогрева молока

- 1 Вставьте вилку сетевого шнура в розетку электросети (Рис. 3).
- 2 Поставьте бутылочку в подогреватель по центру (Рис. 4).

*Примечание. Чтобы подогреть молоко в контейнере, выполните те же действия, что и для подогрева бутылочек.*

- 3 Наполните подогреватель питьевой водой. Количество воды **должно соответствовать** количеству молока, которое вы хотите подогреть (например, для 125 мл молока нужно 125 мл питьевой воды). Если вы хотите подогреть много молока (больше 180 мл), имейте в виду, что максимальный уровень воды находится примерно на один сантиметр ниже края прибора (приблизительно 160 мл питьевой воды). Чем точнее отмерено количество воды, тем точнее будет температура подогретого молока. (Рис. 5)

- 4 Выберите режим (Рис. 6).

*Примечание. Иногда малыши предпочитают молоко определенной температуры. Это может зависеть как от желаний самого ребенка, так и от внешних факторов (например, температура воздуха). Какой бы из трех режимов подогревателя для бутылочек вы ни выбрали, температура подогретого молока будет безопасной для ребенка, а все питательные вещества и витамины в молоке сохранятся.*

- 5 Включите подогреватель, нажав кнопку включения/выключения. На кнопке загорится подсветка (Рис. 7).

*Примечание. Подогреватель для бутылочек начинает работать сразу после нажатия кнопки включения/выключения.*

- 6 Белая подсветка начнет постепенно заполнять индикатор, показывая ход процесса (Рис. 8).

*Примечание. Специальный индикатор отслеживает ход процесса подогрева молока. При включении прибора он начинает мигать. По завершении первой фазы подогрева нижний сегмент индикатора загорается ровным светом. Начинает мигать следующий сегмент, что указывает на выполнение второй фазы. Так происходит до окончания третьей фазы подогрева, после чего все сегменты индикатора загораются ровным светом.*

*Примечание. В процессе подогрева молоко перемешивается и поэтому нагревается равномерно. Время подогрева 90 мл молока комнатной температуры составляет около 10 минут. Для подогрева холодного молока или большого количества молока требуется немного больше времени.*

**Внимание! Не вынимайте бутылочку из подогревателя, пока мигает индикатор хода процесса.**

- 7** Как только температура молока достигнет заданного уровня, все сегменты индикатора загорятся ровным светом.
- Когда молоко подогреется, можно сразу вынуть бутылочку из прибора и кормить ребенка (см. раздел "Кормление непосредственно после подогрева"), либо вы можете на некоторое время оставить бутылочку в подогревателе в режиме поддержания температуры (см. раздел "Режим поддержания температуры молока").

### **Повышение температуры молока**

- 1** Если вы хотите подогреть молоко до более высокой температуры, вы можете постепенно увеличивать температуру после окончания процесса. Для этого переключитесь на режим подогрева молока 3 и оставьте бутылочку в приборе для поддержания температуры (Рис. 9).
- 2** Если вы только что выключили подогреватель бутылочек или он был выключен автоматически, включите его, не выливая теплую воду, и следуйте описанным выше шагам (Рис. 10).
- 3** Подогреватель для бутылочек выключается автоматически через 20 минут после включения режима поддержания температуры (Рис. 11).



### Кормление непосредственно после подогрева

- 1 Выключите прибор, нажав кнопку включения/выключения, и извлеките бутылочку с молоком (Рис. 10).
- 2 Всегда проверяйте температуру молока, прежде чем давать его ребенку. Осторожно переверните бутылочку и проверьте температуру молока, капнув несколько капель на запястье (Рис. 12).
- 3 Отключите подогреватель от сети и слейте воду (Рис. 13).

### Режим поддержания температуры молока

- 1 Когда температура молока достигает заданного уровня, подогреватель автоматически переключается в режим поддержания температуры. В этом режиме молоко остается теплым в течение 20 минут (Рис. 14).
- 2 Через 20 минут подогреватель бутылочек автоматически выключается. Индикатор при этом гаснет, оповещая о том, что нужная температура молока больше не поддерживается (Рис. 11).

*Примечание. Если вы кормите малыша молоком определенной температуры, выньте бутылочку и начните кормить сразу после отключения подогревателя, иначе молоко начнет остывать.*

*Примечание. Режим поддержания температуры подогревателя для бутылочек работает не более 20 минут.*

**Внимание!** Повторно разогревать грудное молоко не рекомендуется, так как в нем могут развиваться бактерии.

- 3 Всегда проверяйте температуру молока, прежде чем давать его ребенку. Осторожно переверните бутылочку или контейнер с молоком и проверьте температуру, капнув несколько капель молока на запястье (Рис. 12).
- 4 Отключите подогреватель от сети и слейте воду (Рис. 13).

### Повторное использование подогревателя бутылочек для следующей бутылочки без перерыва

Если вы хотите сразу после использования прибора подогреть вторую бутылочку, дайте подогревателю остыть в течение нескольких минут. Чтобы ускорить процесс, наполните подогреватель свежей холодной водой. После включения подогревателя все сегменты индикатора начинают мигать от нижнего к верхнему, оповещая о повторном нагреве прибора.

*Примечание. Если индикатор горит, но не мигает, значит, подогреватель бутылочек еще недостаточно остыл и не готов к повторному использованию. Выключите подогреватель, дайте ему остыть в течение нескольких минут и наполните его свежей холодной водой.*

### Использование подогревателя бутылочек для подогрева детского питания

- 1 Вставьте вилку сетевого шнура в розетку электросети (Рис. 3).
- 2 Поставьте бутылочку или контейнер с детским питанием в подогреватель по центру (Рис. 15).

*Примечание. Крышку контейнера или бутылочки можно не закрывать — так вы сможете помешивать детское питание в процессе подогрева.*

- 3 Наполните подогреватель питьевой водой. Количество воды **должно соответствовать** количеству детского питания, которое вы хотите подогреть (например, для подогрева 125 мл питания нужно 125 мл питьевой воды). Если вы хотите подогреть большое количество детского питания, имейте в виду, что максимальный уровень воды находится примерно на один сантиметр ниже края прибора (приблизительно 160 мл питьевой воды). Чем точнее отмерено количество воды, тем точнее будет температура подогретого питания. (Рис. 16)
- 4 Выберите режим подогрева детского питания (Рис. 17).
- 5 Включите подогреватель, нажав кнопку включения/выключения. На индикаторе загорится подсветка (Рис. 18).

*Примечание. Подогреватель бутылочек начинает работать сразу после нажатия кнопки. Консистенция детского питания бывает разной, поэтому прибор не может точно определить, как долго его нужно подогреть.*

- 6** Белая подсветка начнет постепенно заполнять индикатор, показывая ход процесса. Не вынимайте контейнер с детским питанием из работающего подогревателя. Вместо этого помешивайте детское питание, пока оно подогревается в приборе (Рис. 19).

*Примечание. Начать помешивание можно после того, как второй сегмент индикатора загорится ровным светом. До этого момента температура детского питания остается низкой, и помешивать его не нужно.*

**Внимание! Не вынимайте контейнер с детским питанием из подогревателя в процессе работы прибора.**

- 7** Как только температура детского питания достигнет заданного уровня, все сегменты индикатора загорятся ровным светом.

*Примечание. Консистенция детского питания бывает разной, поэтому мы настоятельно рекомендуем постоянно помешивать его и проверять температуру во время подогрева.*

- После того как детское питание подогреется, можно сразу вынуть контейнер из прибора и кормить ребенка (см. раздел “Кормление непосредственно после подогрева”), либо вы можете на некоторое время оставить контейнер в подогревателе в режиме поддержания температуры (см. раздел “Режим поддержания температуры детского питания”).

### **Увеличение температуры детского питания**

- 1** Обязательно пробуйте подогретое детское питание, чтобы проверить, не слишком ли оно горячее. Если вы хотите сильнее подогреть детское питание, снова поставьте контейнер в подогреватель и оставьте его на некоторое время в режиме поддержания температуры. Продолжайте помешивать детское питание (Рис. 15).

- 2 Если вы только что выключили подогреватель бутылочек или он был выключен автоматически, включите его, не выливая теплую воду, и следуйте описанным выше шагам (Рис. 18).
- 3 Подогреватель для бутылочек выключается автоматически через 20 минут после включения режима поддержания температуры (Рис. 20).

### **Кормление непосредственно после подогрева**

- 1 Включите прибор, нажав кнопку включения/выключения, и извлеките контейнер или бутылочку с детским питанием из подогревателя (Рис. 18).
- 2 Попробуйте подогретое детское питание, чтобы проверить, не слишком ли оно горячее (Рис. 21).
- 3 Отключите подогреватель от сети и слейте воду (Рис. 13).

### **Режим поддержания температуры детского питания**

- 1 Когда температура детского питания достигает заданного уровня, подогреватель автоматически переключается в режим поддержания температуры. В этом режиме детское питание остается теплым в течение 20 минут (Рис. 22).
- 2 Через 20 минут подогреватель автоматически выключается. Индикатор при этом гаснет, оповещая о том, что нужная температура детского питания больше не поддерживается (Рис. 20).

*Примечание. Если вы хотите покормить ребенка детским питанием заданной температуры, извлеките контейнер из подогревателя и начните кормление сразу после отключения подогревателя, иначе пища начнет медленно остывать.*

*Примечание. Режим поддержания температуры подогревателя для бутылочек работает не более 20 минут.*

- 3 Обязательно проверяйте температуру детского питания, прежде чем накормить ребенка. Аккуратно перемешайте детское питание в контейнере или бутылочке и попробуйте его, чтобы убедиться, что оно не слишком горячее (Рис. 21).
- 4 Отключите подогреватель от сети и слейте воду (Рис. 13).

### **Повторное использование подогревателя для нагрева следующего контейнера с детским питанием без перерыва**

Если вы хотите сразу после использования прибора подогреть вторую бутылочку или контейнер с детским питанием, дайте подогревателю остыть в течение нескольких минут. Чтобы ускорить процесс, наполните подогреватель свежей холодной водой. После включения подогревателя все сегменты индикатора начинают мигать от нижнего к верхнему, оповещая о повторном нагреве прибора.

*Примечание. Если индикатор горит, но не мигает, значит, подогреватель еще недостаточно остыл и не готов к повторному нагреву бутылочки или контейнера с детским питанием. Выключите подогреватель, дайте ему остыть в течение нескольких минут и наполните его свежей холодной водой.*

### **Режим разморозки**

---

Этот режим предназначен для разморозки молока и детского питания. Следуйте инструкциями в разделе "Использование подогревателя бутылочек для подогрева молока" или "Использование подогревателя бутылочек для подогрева детского питания".

Когда прибор переходит в режим разморозки, индикатор начинает мигать. Белая подсветка начнет постепенно заполнять индикатор, показывая ход разморозки. Если все сегменты индикатора загорелись ровным светом, значит, молоко или детское питание полностью разморожены.

В режиме разморозки молоко и детское питание не подогреваются. Если после разморозки молока или детского питания вы хотите подогреть их, выключите прибор, а затем выберите нужную температуру и снова включите прибор.

## Очистка и удаление накипи

### Очистка

- 1 После каждого использования отключайте подогреватель бутылочек от электросети. Дождитесь, пока он остынет (Рис. 23).
- 2 Для обеспечения гигиеничности слейте из подогревателя оставшуюся воду (Рис. 24).
- 3 Протрите внутреннюю и внешнюю часть подогревателя влажной тканью (Рис. 25).

Не используйте для очистки подогревателя детского питания абразивные и антибактериальные чистящие средства или химикаты.

*Примечание. Если вы подогревали в приборе контейнеры с детским питанием, убедитесь, что на дне подогревателя не осталось детского питания.*

### Очистка от накипи

Чтобы подогреватель работал долго и эффективно, рекомендуется очищать его от накипи каждые **четыре недели**.

- 1 Чтобы очистить подогреватель от накипи, смешайте 50 мл белого уксуса и 100 мл холодной воды. Выберите функцию разморозки, затем включите прибор и подождите 10 минут. Оставьте раствор в подогревателе, чтобы известковый налет полностью растворился. (Рис. 26)

*Примечание. Можно также использовать средства для удаления накипи на основе лимонной кислоты.*

*Примечание. Не используйте другие виды средств для удаления накипи.*

- 2 Перед тем как слить раствор из подогревателя, отключите его от электросети (Рис. 23).
- 3 Слейте жидкость и тщательно промойте подогреватель изнутри. Если все еще видны следы накипи, повторите процедуру очистки (Рис. 24).

### Утилизация

- Этот символ на изделии означает, что оно попадает под действие Директивы ЕС 2012/19/ЕС. Узнайте о требованиях местного законодательства по раздельной утилизации электротехнических и электронных изделий. Следуйте правилам и не утилизируйте изделие вместе с бытовыми отходами. Правильная утилизация позволяет предотвратить возможные негативные последствия для окружающей среды и здоровья человека. (Рис. 27)

### Гарантия и поддержка

Для получения поддержки или информации посетите веб-сайт **[www.philips.com/support](http://www.philips.com/support)** или ознакомьтесь с информацией на гарантийном талоне.

Подогреватель для бутылок.

Изготовитель: «Филипс Консьюмер Лайфстайл Б.В.», Туссендиепен 4, 9206 АД, Драхтен, Нидерланды.

Импортер на территорию России и Таможенного Союза:  
ООО «Филипс», Российская Федерация, 123022 г. Москва,  
ул. Сергея Макеева, д.13, тел. +7 495 961-1111.

SCF356: 220-240V, 50/60Hz.

Для бытовых нужд.

По вопросам гарантийного обслуживания обратитесь по месту приобретения товара. Срок службы изделия 2 год с даты продажи. Всю дополнительную информацию Вы можете получить в Информационном центре по телефонам: Россия: +7 495 961-1111 или 8 800 200-0880 (бесплатный звонок на территории РФ, в т.ч. с мобильных телефонов) Беларусь: 8 820 0011 0068 (бесплатный звонок на территории РБ, в т.ч. с мобильных телефонов).







