
PHILIPS

Service
Manual



HR2191
HR2291

General information



General specifications

Product features: Dishwasher safe, Pulse, Variable speed
Type of lid: Removable
Blade: 4 star blade
Speed UI: Rotary knob

Design

Color: Black White

Accessories

Included: Chopper, On-the-go tumbler

Technical specifications

Capacity jar: 2 L
Power: 600 W
Working capacity jar: 1.25 L

Finishing

Material blade: Stainless Steel
Material jar: Glass,SAN
Material of main body: Metal

Important repair instructions

- Only skilled personnel should carry out the repair.
- After repair the appliance should function properly.
- After repair the appliance has to meet the regulatory – and safety requirements that were applicable at the time of release of the model.
- After repair the appliance always has to be tested for electrical safety according VDE 0701-0702 and for medical products IEC 62353.

Disassembly - and Reassembly advice

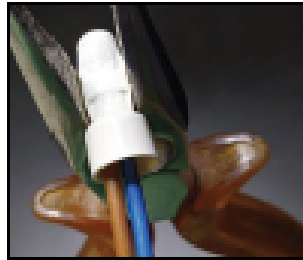
During disassembly and repair

Wiring and crimp connections instructions*

Caution: Some wiring insulation types, like silicone wiring, are very soft and easy to damage. Replace damaged wires.

Whenever an electrical component is repaired, crimp connectors should be opened.

- The easiest way is to reopen a closed crimp housing, is by attacking from the side with pliers.



Note: Do not cut the old crimp as this causes shortening of the wires and can be an issue afterwards. Always connect the wires with a new 2 or 3-wire crimp housing.

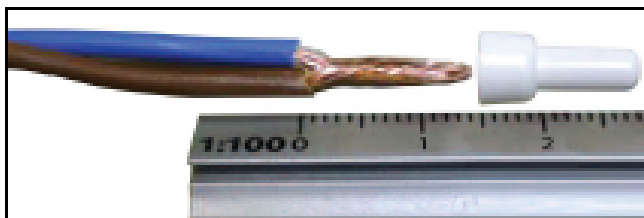
Required tool when replacing crimp connections:

Ratchet Crimping Tool

- Oval crimp tool for insulated cable connectors
- 0.5 mm² - 6 mm²

Preparing of wires.

- Twist the nude copper wires together along the entire length of the strip.

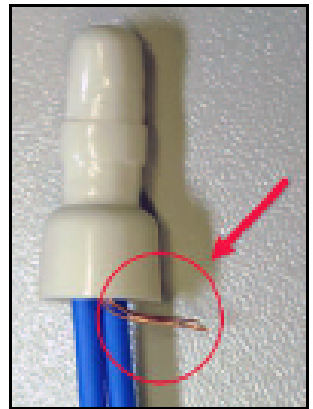


- 16 mm (0,63 in) Max
- 13 mm (0,51 in) Min
- Insert the wires into a new crimp housing.

* Reference Documents

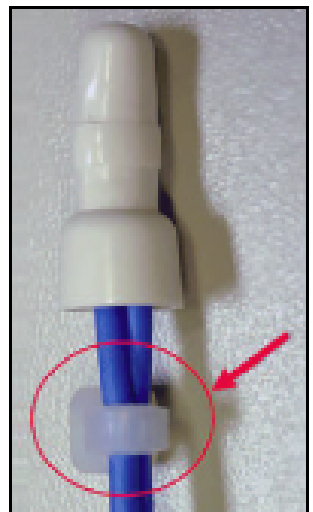
1. IEC 61210:1993 "Flat quick-connect terminations for electrical copper conductors – Safety requirements"
2. IEC 60352-2:1990 (amd. 1:1996 + amd. 2:2002) "Solderless crimped connections – General requirements, test methods and practical guidance"

- Make sure not to miss any single wire, as any loose wire that comes into contact with metal parts of the appliance may cause electrical shocks.
- Center the ratchet crimping tool on the crimp housing, and crimp with 6 kg/cm².



- Perform a pull test to check that wires are firmly fixed!

- Tie ribs are used as strain relief for these crimp connector types.
- Always use or replace tie ribs when replacing crimp connectors!



WARNING:

- Make sure that the crimp is fully tightened. If not done properly it can cause inner sparking, cause overheating and in worst case cause a fire!
- Please align the crimp in such a way that with high air humidity, moist cannot be captured into the crimp housing.
- When reassembling, the open sides of the crimp housings should always face down.

Spare Parts

1



2



3



4



5



6



7



8



9



10



11

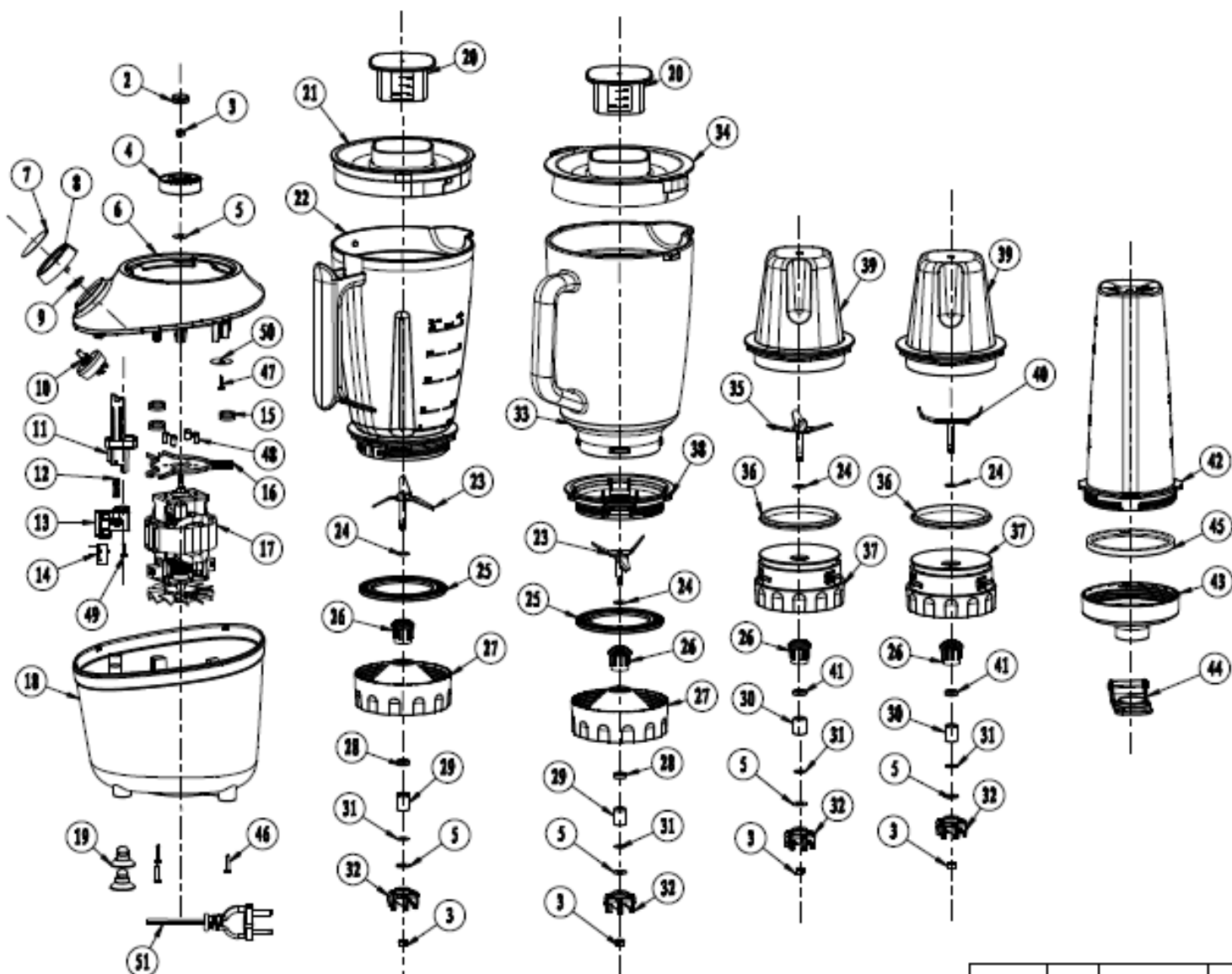


12



Part List

1	300007510401	White housing assy KR Plug	883 2191 00 470 883 2191 20 470 883 2291 20 470
1	300007510411	Black housing assy KR Plug	883 2191 01 470 883 2191 21 470 883 2291 01 470 883 2291 21 470 883 2291 41 470
1	300007510421	Black housing assy VDE Plug	883 2191 01 010 883 2291 01 010 883 2291 41 010
1	300007510431	Black housing assy UK Plug	883 2291 01 150
1	300007510441	White housing assy UAE Plug	883 2191 20 500 883 2291 20 500
1	300007510451	White housing assy South A Plug	883 2191 20 230 883 2291 20 230
2	300005069231	Measuring cup	HR2191/HR2291
3	300007510471	Glass jar lid black	HR2291/01 HR2291/21 HR2291/41
3	300007510481	San jar lid black	HR2191/01 HR2191/21
3	300007510491	San jar lid white	HR2191/00 HR2191/20
4	300007510501	Glass jar	HR2291
4	300007510511	San jar	HR2191
5	300007510521	White blade assy	HR2191/00 HR2191/20 HR2291/20
5	300007510531	Black blade assy	HR2191/01 HR2191/21 HR2291/01 HR2291/21 HR2291/41
6	300005143621	Blade seal ring	HR2191/HR2291
7	300007510541	Chopper cup	HR2191/20 HR2191/21 HR2291/20
8	300007510551	Chopper blade assy	HR2291/21
9	300005069431	Chopper blade seal ring	
10	300005143451	Tumbler jar	
11	300005143431	Tumbler jar lid	HR2291/41
12	300005143621	Tumbler jar lid seal ring	



Version History

1. Version A: Initial release.

-----wk2124



www.philips.com