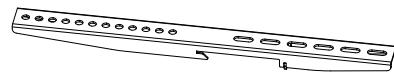
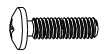


A



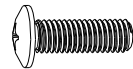
B



M5x14 (x4)  
M-A



M6x14 (x4)  
M-B



M8x20 (x4)  
M-C



M6x30 (x4)  
M-D



M8x30 (x4)  
M-E



washer (x4)  
M-F

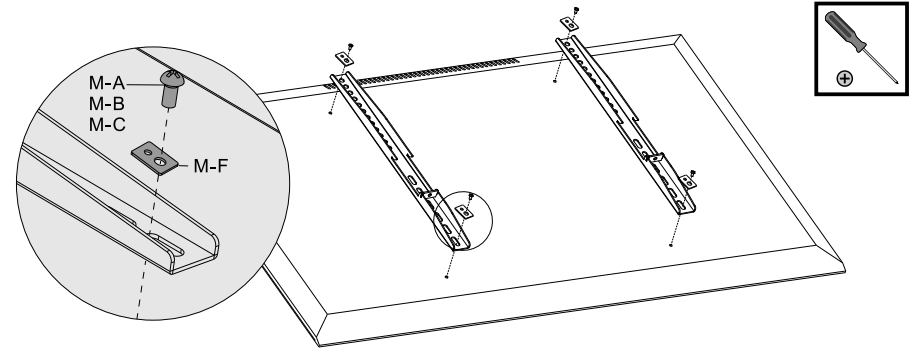


small spacer (x8)  
M-G

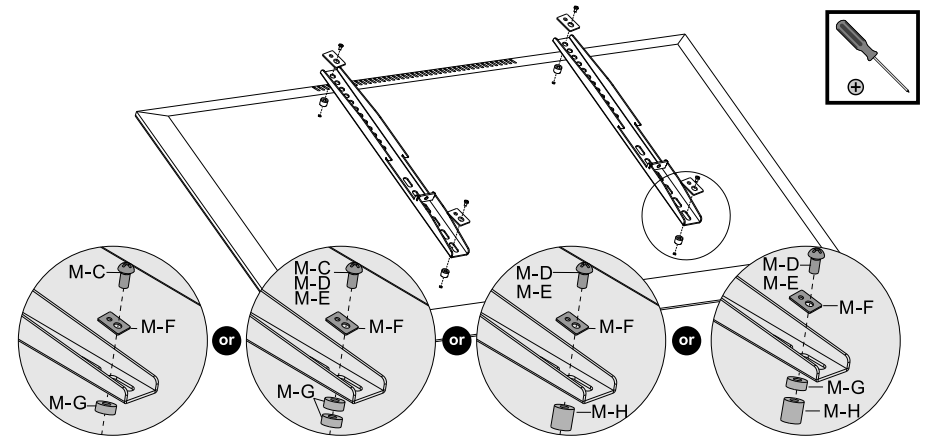


big spacer (x4)  
M-H

1a



1b



2

